



TAMA[®]

NEW FOR 2023

ALL THE INFORMATION IS STRICTLY CONFIDENTIAL UNTIL

31/12/2022



LIMITED STARCLASSIC PERFORMER DRUM KIT w/ BLACK NICKEL SHELL HARDWARE

TAMA unveils this Limited Edition Starclassic Performer drum kit in Crimson Red Waterfall finish. Hand-painted by skilled craftsmen, this detailed finish is uniquely different on each drum and paired with Black Nickel Shell Hardware delivers a strong and aggressive look. The unique sounding maple/birch hybrid shell produces a powerfully warm sound with solid attack.



COLOR Crimson Red Waterfall -CRW

MBS52RZBNS basic kit 21 395:-rikt.ink.moms

Including
22"x16" Bass Drum 10"x7" & 12"x8" Tom Toms
14"x12" Floor Tom 16"x14" Floor Tom
MC69 Single Tom Attachment x 2

[add-on]
MBSS55BN 14"x5.5" 4125:-
MBSS65BN 14"x6.5" 4125:-



Shell: TT/FT/SD: 6mm, 4ply Birch+ 2 inner ply Maple, Crimson Red Waterfall (CRW)
BD: 7mm, 5ply Birch+ 2 inner ply Maple



Black Nickel Shell Hardware

ADD-ON SNARE



MBSS55BN 14"x5.5" 4125:- rikt.ink.moms



MBSS65BN 14"x6.5" 4125:- rikt.ink.moms

Shell: 6mm, 4ply Birch + 2 inner ply Maple
Lug: MSL-SCTBN
Hoop: Die Cast Hoops (10 hole)
Strainer/Butt: MLS30ABN/MLS30BBN
Snare Wire: 20 strands Super Sensitive Hi-Carbon Snare Wires (MS20RL14C)
Color: Crimson Red Waterfall (CRW)



IMPERIALSTAR DRUM KIT

In 2006, the Imperialstar line made its successful comeback, providing everything a drummer needs at an affordable price. In 2023, Imperialstar will be refined to feature matching bass drum hoops, Stage Master double-braced hardware, Iron Cobra 200 bass drum pedal, and a deep 22x18" bass drum.



COLOR Electric Yellow -ELY

IP52H6WC Komplett 11895,- Rikt.ink.moms

Including

- 22"x18" bass drum
- 10"x7" & 12"x8" tom toms
- 16"x14" floor tom
- 14"x5" snare drum

Hardware: MTH600 double tom holder, HH45W hi-hat stand, HP200P single drum pedal, HS40W snare stand, HC43BW boom cymbal stand, HC42W straight cymbal stand, HT25 drum throne. Meinl HCS cymbaler

AVAILABLE FINISH



Burnt Red Mist (BRM)



Electric Yellow (ELY)



Coffee Teak Wrap (CTW)



Hairline Black (HBK)

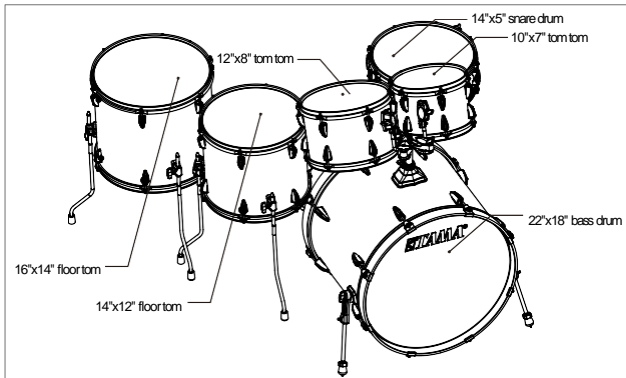


Hairline Blue (HLB)

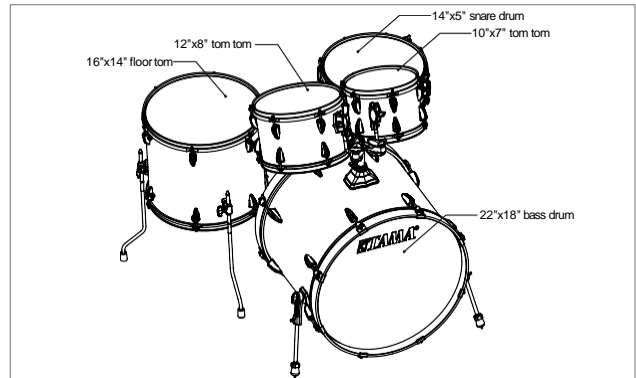
INDIVIDUAL DRUMS

Bass Drums			Floor Toms			Tom Toms			Snare Drums		
Model No.	Diameter	Depth	Model No.	Diameter	Depth	Model No.	Diameter	Depth	Model No.	Diameter	Depth
IPB18RW	18"	14"	IPF14A	14"	12"	IPT8A	8"	7"	IPS145	14"	5"
IPB20DW	20"	16"	IPF16A	16"	14"	IPT10R	10"	7"	IPS1465	14"	6.5"
IPB22EW	22"	18"	IPF18D	18"	16"	IPT12R	12"	8"			
						IPT13R	13"	9"			

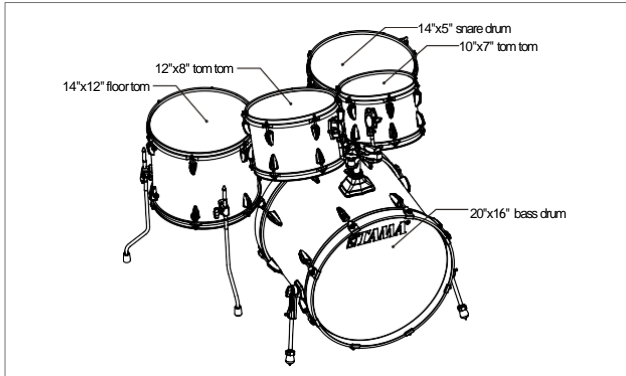
BASIC KIT



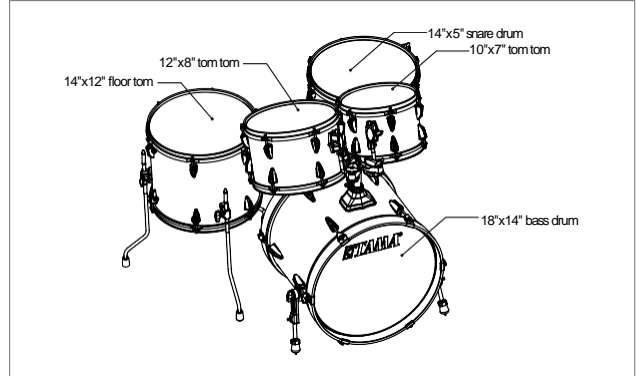
IP62H6WC- Ink.StageMaster hardware + HCS 12895:-



IP52H6WC- Ink.StageMaster hardware + HCS 11895:-



IP50H6WC- Ink.Stage Master hardware + HCS 11895:-



IP58H6WC-Ink.Stage Master hardware+HCS 11495:-

FEATURES



Shells:100% poplar 6ply/8mm

Poplar wood has been used in making drum shell for over 50 years. It offers a full, warm tone combined with medium attack.



TAMA Precision Bearing Edges

A drum's bearing edge is one of the most important components in drum sound. Our advanced edge-cutting process provides extremely precise bearing edges - which allow TAMA shells to ring openly and fully, and provide a wide range of tune ability, sensitivity and response



MTH600 Double Tom Holder

TAMA L-Rod and Omnisphere tom holder systems have received acclaim from drummers for over 25 years. These systems offer easy positioning, maximum flexibility, stability and greater sound than standard designs which penetrate the shell interior and can inhibit resonance.



Matching Wood Hoops on bass drum

The bass drum wood hoops with matching finish provide good and upgraded appearances.



Stage Master hardware

Imperialstar kit includes Stage Master double braced hardware, which are popular models as their functionality, durability and stability. 18" Bass Drum kit includes low profile snare stand allows players to set up lower.



Iron Cobra 200 drum pedal

The Iron Cobra 200 series was developed using the same design principles as the Iron Cobra 900 series, and offers remarkable performance and stability. The cam provides a smooth, light feel without sacrificing power or speed.



IMPERIALSTAR DRUM KIT w/ BLACK NICKEL SHELL HARDWARE

New for 2023, the Imperialstar lineup will include a sleek Blacked Out Black wrap finish with Black Nickel shell hardware, adding a professional look to this popular series.



COLOR Blacked Out Black -BOB

IP52H6WBNC Komplett Rikt.ink.moms 12895:-

Including
 22"x18" bass drum
 10"x7" & 12"x8" tom
 toms 16"x14" floor tom
 14"x5" snare drum
 Hardware: MTH600 double tom holder, HH45W hi-hat stand, HP200P single drum pedal, HS40W snare stand, HC43BW boom cymbal stand, HC42W straight cymbal stand, HT25 drum throne.
 Meinl HCS cymbaler

AVAILABLE FINISH

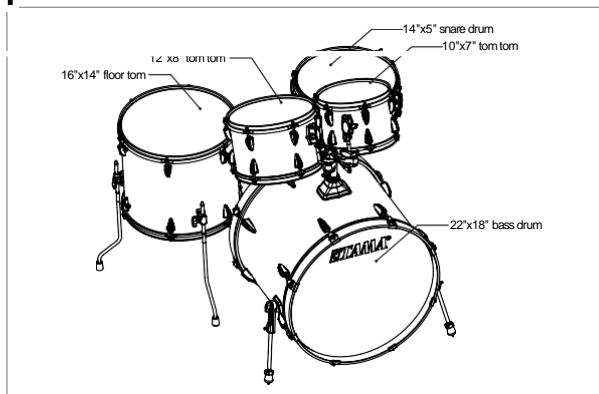


Blacked Out Black (BOB)

INDIVIDUAL DRUMS

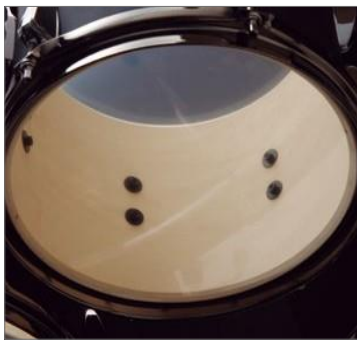
Bass Drums			Floor Toms			Tom Toms			Snare Drums		
Model No.	Diameter	Depth	Model No.	Diameter	Depth	Model No.	Diameter	Depth	Model No.	Diameter	Depth
IPB18RWB	18"	14"	IPF14AB	14"	12"	IPT8AB	8"	7"	IPS145B	14"	5"
IPB20DWB	20"	16"	IPF16AB	16"	14"	IPT10RB	10"	7"	IPS1465B	14"	6.5"
IPB22EWB	22"	18"	IPF18DB	18"	16"	IPT12RB	12"	8"			
						IPT13RB	13"	9"			

BASIC KIT



IP52H6WBN

FEATURES



Shells: 100% poplar 6ply/8mm

Poplar wood has been used in making drum shell for over 50 years. It offers a full, warm tone combined with medium attack.



TAMA Precision Bearing Edges

A drum's bearing edge is one of the most important components in drum sound. Our advanced edge-cutting process provides extremely precise bearing edges - which allow TAMA shells to ring openly and fully, and provide a wide range of tune ability, sensitivity and response.



MTH600BN Double Tom Holder

TAMA L-Rod and Omnisphere tom holder systems have received acclaim from drummers for over 25 years. These systems offer easy positioning, maximum flexibility, stability and greater sound than standard designs which penetrate the shell interior and can inhibit resonance.



Matching Wood Hoops on bass drum

The bass drum wood hoops with matching finish provide good and upgraded appearances.



Stage Master hardware

Imperialstar kit includes Stage Master double braced hardware, which are popular models as their functionality, durability and stability.



Iron Cobra 200 drum pedal

The Iron Cobra 200 series was developed using the same design principles as the Iron Cobra 900 series, and offers remarkable performance and stability. The cam provides a smooth, light feel without sacrificing power or speed.



Black Nickel Shell Hardware

All the shell hardware are in Black Nickel plated, which is usually available on only high-end models. The combination of this hardware finish and Blacked Out Black wrap finish is looked great and visually arresting.



COLOR Pewter Blue Australian Acacia -PBA

STAR Bubinga

- 22"x16" bass drum 29245:-
- 8"x6" tom tom
- 10"x7" tom tom 10645:-
- 12"x8" tom tom 11845:-
- 14"x12" floor tom 14945:-
- 16"x14" floor tom 16595:-

[add-on]
14"x8.5" snare drum 11895:-



COLOR Antique White Japanese Chestnut -AWC

STAR Walnut TW42RZS Shellpack
45975:- Rikt.ink.moms

- 22"x16" bass drum
- 10"x7" tom tom
- 12"x8" tom tom
- 16"x16" floor tom

[add-on]
14"x6.5" snare drum



COLOR Turquoise Pearl -TQP

Starclassic Maple MR42TZUS
w/ smoked black nickel HW
Shellpack
36945:- Rikt.ink.moms

- Including:
- 22"x16" bass drum
 - 10"x7" tom tom
 - 12"x8" tom tom
 - 16"x16" floor tom

[add-on]
14"x6.5" snare drum



COLOR Red Oyster -ROY

Starclassic Maple (MR42TZBNS)
w/ Black nickel HW
Shellpack
36945:- Rikt.ink.moms

Including:
22"x16" bass drum
10"x7" tom tom
12"x8" tom tom
16"x16" floor tom

[add-on]
14"x6.5" snare drum



COLOR Turquoise Pearl -TQP

Starclassic Walnut/Birch
WBR42S w/ Chrome HW
Shellpack
25795:- Rikt.ink.moms

Including:
22"x16" bass drum
10"x8" tom tom
12"x9" tom tom
16"x14" floor tom
MTH1000 Double Tom Holder

[add-on]
14"x6.5" snare drum



COLOR Ice Ash Wrap -ICA

Superstar Classic (CK52KRS)
Shellpack
11195:- Rikt.ink.moms

Including:
22"x16" bass drum 10"x7"
tom tom 12"x8" tom tom
16"x14" floor tom 14"x6.5"
snare drum
MTH600 double tom holder



COLOR Natural Ebony Tiger Wrap -NET

**Superstar Classic (CK52KRS)
Shellpack
25795:- Rikt.ink.moms**

Including:
22"x16" bass drum 10"x7"
tom tom 12"x8" tom tom
16"x14" floor tom 14"x6.5"
snare drum
MTH600 double tom holder



COLOR Candy Apple Mist -CPM

**Club-JAM
Shellpack
7295:- Rikt.ink.moms**

LJK48S

Including:
18"x12" bass drum 10"x7" tom tom 14"x7" floor tom
13"x5" snare drum Single tom holder Cymbal holder

LJK48H4

Including: LJK48S Basic Kit Hi-hat stand Drum
pedal Snare stand Drum throne



COLOR Candy Apple Mist -CPM

**Club-JAM MINI
Shellpack
3995:- Rikt.ink.moms**

LJK28S

Including:
18"x7" Bass Drum 12"x5" Snare Drum

LJK28H4

Including: LJK28S Basic Kit Hi-Hat Stand
Drum Pedal Snare Stand Drum Throne



COLOR Burnt Red Mist -BRM

Club-JAM Pancake (LJK48P)

- Including:
 18"x4" Bass Drum
 10"x3.5" Tom Tom
 13"x3.5" Floor Tom
 12"x4" Snare Drum
 Single Tom Attachment

GONG BASS

An early TAMA original, the Gong Bass Drum utilizes a 22" drumhead, mounted Tympani style to a 20" shell with no bottom head. This design produces thunderous low-end with rich sustain - characteristic of the large Taiko drums of ancient Japan. The Gong Bass features a 7mm thick Starclassic Maple shell and Quick-Lock Tom Brackets. It is available in all Starclassic Maple finishes (Exotic/ Lacquer/ Duracover Wrap).



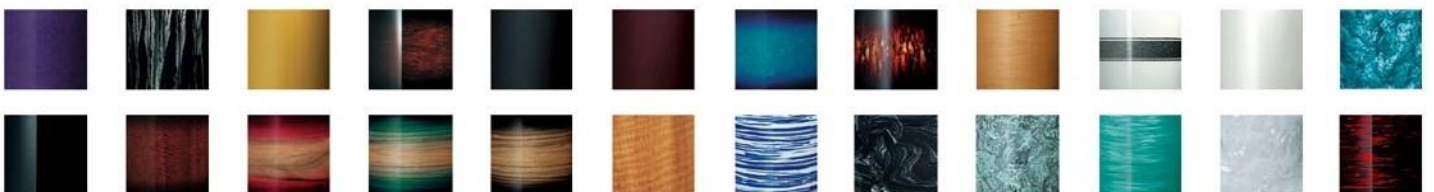
MEG20R 14595:- Rikt .ink.moms
MAG20R
MRG20R

- Shell:
 - Exotic Finishes
 VGLM/TBV: 8ply Maple + 1 outer ply Movingui 7mm
 LEWB/LNWB/LRWB: 8ply Maple + 1 outer ply Pacific Walnut 7mm
 - Lacquer/Wrap Finishes:
 8ply 7mm Maple
 - Size:20"x14"
 - Quick-Lock Tom Brackets

* Gong Bass Drums Shell Hardware is available in Chrome finish only.
 **Hardware and tom arms not included.

AVAILABLE FINISH

All Starclassic Maple finishes



STARPHONIC BUBINGA BRAVURA CONCERT SNARE DRUM

STARPHONIC Bubinga Concert snare drum features 14"x6", 8ply, 7mm Bubinga with Cordia shells for a fat, dark and dry tone. Employing a 120° snare bed allows for a freely resonating bottom head and maximum snare response. This is also equipped with TAMA's Grooved straight hoops and Freedom lugs.



CBC146MF 10995:- Rikt. Ink. moms

Shell: 7mm, 7ply 100% Bubinga + 1 outer ply Cordia Size: 14" x 6"
 Lug: Freedom Lug
 Hoop: Grooved Straight Hoop (10 tension)
 Strainer: MLS50AD/MLS50BD w/ Multi Snare Frame Snare Wire: Three Different Snare Wire
 Nickel Wound Round Guitar String (6 strands) Black Nylon Coated
 Stainless Steel Wire (6 strands) Stainless Steel Wire (6 strands)
 Color: Gloss Natural Cordia(GNC)



7mm, 7ply 100% Bubinga
+ 1 outer ply Cordia



Grooved Straight Hoop (10 tension)



Multi Snare Frame
with Three Different Snare Wire

LIMITED SNARE DRUMS

S.L.P. 14"x6" G-KAPUR w/ MAPPA BURL OUTER PLY

This Limited Edition S.L.P. 14"x6" G-Kapur snare drum features a beautiful Mappa Burl outer ply, 10mm/11ply Kapur shell, and Black Nickel hardware. Delivering sharp attack, solid tone, and powerful projection, this snare drum demands attention with its eye-catching look and distinct sound.



LGK146-ASF 4995- Rikt. Ink. moms

Shell: 10mm / 11ply Kapur + 1outer ply Mappa Burl
 Size: 14"x6"
 Lug: Staclassic Lug (MSL-SCTBN)
 Hoop: Steel Mighty Hoop (10 hole)
 Strainer/Butt: MLS50ABN/ MLS50BBN
 Snare Wire: 20 strands Super Sensitive Hi-Carbon Snare Wires (MS20RL14C)
 Color: Amber Sunset Fade (ASF)



10mm / 11ply Kapur
with Mappa Burl outer ply



2.3mm Steel Mighty Hoops (10 hole)



20 strands Super Sensitive Hi-Carbon
Snare Wires



SNARE DRUMS

STAR RESERVE Vol.9 SOLID JAPANESE CEDAR

The 9th entry into the STAR Reserve series, this Solid Japanese Cedar snare drum uniquely features the traditional Japanese woodworking technique, Uzukuri, creating a three-dimensional appearance. Complemented by the beautiful oil finish, this snare drum produces a dynamically bright, powerful, yet focused sound. The 8mm thick shell is paired with the Customized Brass Might Hoop and Starclassic Bell Brass Snare Wires, delivering powerful attack, rich and mellow tone, with crisp and dynamic sensitivity.

***From Jan. 2023 prod.**



TLJC146 14895:- Rikt .ink.moms

Shell: 8mm Solid Japanese Cedar Size: 14"x6"
Lug: STAR Lug (MSL90SC)
Hoop: Customized Brass Mighty Hoop (8 hole) Strainer/Butt: MLS50A/MLS50B
Snare Wire: 20 strands Starclassic Bell Brass Snare Wires (MS20SN14B) Color: Burnt Oiled Cedar (BOC)



8mm Solid Japanese Cedar Shell

A light and soft wood that offers a dynamically bright, powerful, yet focused and mellow sound.



Customized Brass Mighty Hoop (8 hole)



20 strands Starclassic Bell Brass Snare Wires

WOODWORKS

Featuring an 8-ply Poplar shell, this 14x5.5" WOODWORKS snare drum delivers a crisp, yet warm tone with solid attack. For a unique look, this drum is covered in an Art Grain wrap and finished with Matte Black hardware.



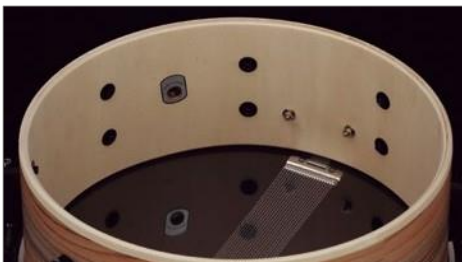
WP1455BK-NZW



WP1455BK-BOW

WP1455BK1695:- Rikt .ink.moms

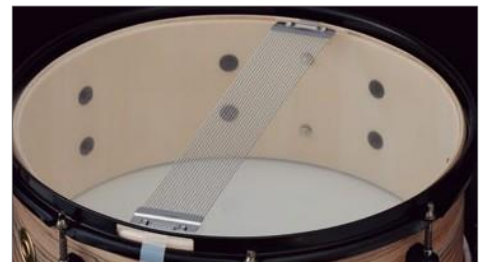
Shell: 8mm, 8ply Poplar Size: 14"x5.5"
Lug: MSL60S
Hoop: Triple Flanged Hoop (8 hole) Strainer/Butt: MUS65A/MUS60B
Snare Wire: 20 strands Steel Snare Wires (MS20R14S)
Color: Black Oak Wrap (BOW), Natural ZebraWood Wrap (NZW)



8mm, 8ply Poplar Shell



Matte Black shell hardware



20 strands Steel Snare Wires



LIMITED SPEED COBRA 310 PEDAL BLACK & COPPER

TAMA introduces this Limited Edition Speed Cobra 310 pedal featuring an all matte black look with brushed copper parts, delivering a sleek and stealthy look.

HP310LBC / HP310LWBC



HP310LBC Single Pedal
1495:- Rikt.ink.moms



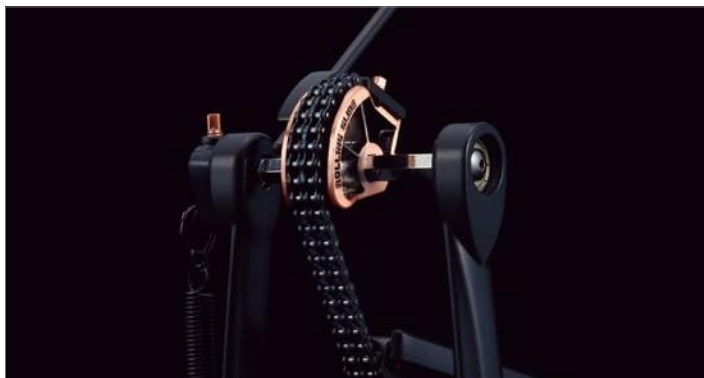
HP310LWBC Twin Pedal
3995:- Rikt .ink.moms



Black & Copper Finish



Long Footboard



Double Chain Drive



Power-Strike Cobra Beater

CYMBAL STAND 2PC BUNDLE



HC83BWX2 2395:- Rikt .ink.moms

This hardware pack consists of two (2) heavy-duty and versatile HC83BW Roadpro Boom Cymbal Stands. Features include TAMA's patented gearless Quick-Set Tilter enabling infinite angle adjustments, Glide Tight Grip Joint for secure placement and maximum resonance, Double Braced Legs with Nylon Washers for increased stability and durability, versatile Boom/Straight Convertible Tilter, and Quick-Set Cymbal Mate for fast & easy setting.

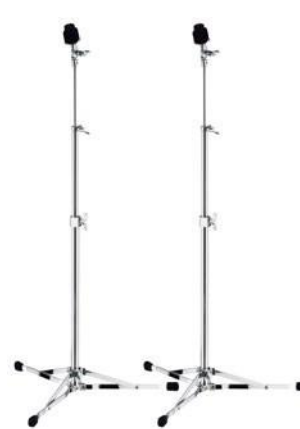
Including:
HC83BW Roadpro Boom Cymbal Stand (x2)



HC43BWNX2 1895:- Rikt .ink.moms

This hardware pack consists of two (2) HC43BWN Stage Master Cymbal Stands. Offering core features adopted from the Roadpro Series including Convertible Boom/Straight Tilter for versatility, Double Braced Legs for stability, and Quick-Set Cymbal Mate for fast & easy setting.

Including:
HC43BWN Stage Master Boom Cymbal Stand (x2)



HC52FX2 1495:- Rikt .ink.moms

This hardware pack consists of two (2) HC52F CLASSIC Series Cymbal Stands. Designed to be lightweight and compact, the vintage-style Flat Base design offers a stylish look with modern functionality.

Including:
HC52F Classic Cymbal Stand (x2)

1st CHAIR LOW PROFILE ROUNDED SEAT



HT230LOW 1495:- Rikt .ink.moms

TAMA's 1st Chair drum thrones provide unparalleled durability and comfort, combined with maximum flexibility. The HT230LOW features a newly designed seat top and throne base, allowing the player to be seated in a lower position than any other throne in the 1st Chair series.

Height Adjustment Range: 374mm – 519mm



Traditional Rounded Seat



1st Chair Height Adjustment

IRON COBRA 200 BUNDLE WITH 1st CHAIR THRONE

This basic hardware bundle includes a HP200P Iron Cobra 200 Series Single Bass Drum Pedal, HH205S Iron Cobra 200 Series Hi-Hat Stand, and either HT230 1st Chair Round Seat Throne or HT250 1st Chair Saddle Seat Throne to meet a variety of needs.



HED3R 3495:- Rikt .ink.moms

including:
HP200P Drum Pedal
HT230 Drum Throne (Round seat) HH205S Hi-hat Stand



HED3G 3745:- Rik.ink.moms

including:
HP200P Drum Pedal
HT250 Drum Throne (Saddle seat) HH205S Hi-hat Stand



HED2R 2395:- Rik.ink.moms

including:
HP200P Drum Pedal
HT230 Drum Throne (Round seat)

HED2G 2595:- Rik.ink.moms

including:
HP200P Drum Pedal
HT250 Drum Throne (Saddle seat)





MICROPHONE STANDS

DESK-MOUNTED MICROPHONE BOOM ARM

The MSDA206BK is a high-quality microphone boom arm designed specifically for professional broadcasting, podcasting, and more. Utilizing the same groundbreaking features found in the Iron Works series mic stands, this specialized desk-mounted boom arm allows for universal set-up flexibility for any situation.



MSDA206BK 945:- Rik.ink.moms

Black Finish
Iron-Core Telescoping Boom Arm Cast Grip Boom Tilter
Height memory lock Headset hanging hook
Height: 95-515mm (3 3/4"-20 1/4") Boom Arm: 450-800mm
(17 3/4"-31 1/2")



ACCESSORIES

POWERPAD DESIGNER COLLECTION HARDWARE BAG EXTRA LARGE

The large THB04XLBK hardware bag is designed for storing a heavy duty 4pc hardware kit.



THB04XLBK 695:- Rik.ink.moms

- Suitable size for storing HV5WN hardware kit without drum pedal (2-HC83BW, HS80W, HH605)
- 880mm(L) x 180mm(W) x 250mm(H)



ISO-BASE SOUND REDUCTION PADS

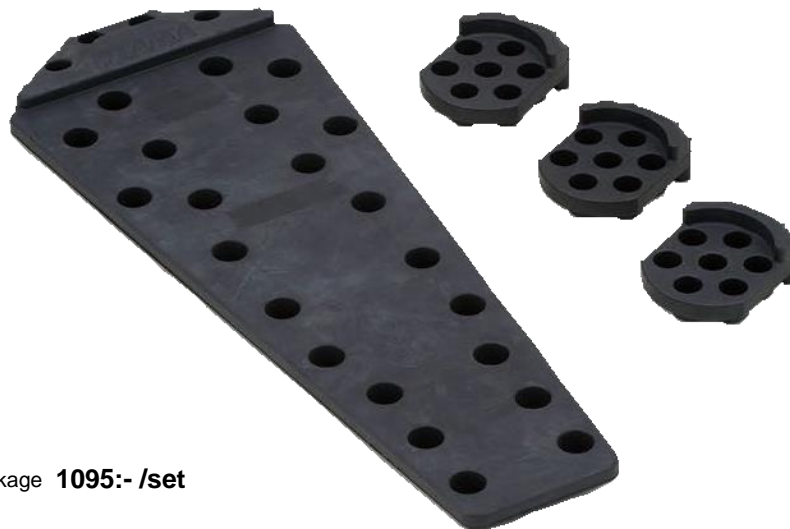
Designed for quiet practice at home, the Iso-Base Sound Reduction Pads offer superb floor vibration isolation. For use with cymbal stands, bass drum pedals, hi-hat stands, and even bass drum spurs, the Iso-Base pads are compact and lightweight for easy set-up, tear down, and portability.



TIBP1 Pedal Pad 890:- Rik.ink.moms



TIBL1 Leg Pad 150:- Rik.ink.moms



TIBS4 Pedal & Leg pads package 1095:- /set
Rik.ink.moms

Including: TIBP1 x1 TIBL1 x3



Rubber Dampeners

The rubber dampeners offer the ideal balance of vibration isolation and playing stability.



Pedal Pad

The Pedal Pad offer bass drum pedal floor vibration isolation during home practice.



Leg Pad

The Leg Pads offer floor vibration isolation during home practice for cymbal stands, hi-hat stands, and bass drum spurs.

ACCESSORY TRAY

Designed to hold essential items for any performance, the TAT10 Accessory Tray includes a cup holder, unique edges specially shaped for drumsticks, and S-hooks to hang bags or other items. Covered in non-slip felt, the tray features 6 passthroughs for clean cable management. Additionally, the tray comes with 4 poles to attach to an MC61 clamp as well as 5/8" microphone threading on the underside for even greater set-up flexibility.



TAT10 ink.clamo 775:- Rik.ink.moms

- Tray size (inside dimension): 235mm (9-1/4") x 254mm (10")
- Drink holder: up to diameter 90mm (3-1/2")
- Includes MC61 FastClamp for connecting stands with pipes from 15.9mm to 28.6mm in diameter.
- Includes 2- S-hooks for hanging bags
- Rims can hold up to 16mm (0.63") diameter drum sticks
- Mounted 5/8" nut for straight mic stand on bottom of the tray
- Weight capacity: 2.5kg

DRUM STICK HOLDER

The STH10 Stick Holder is designed to hold spare sticks and can be attached to hardware anywhere on the drum kit.



STH10 145:- Rik.ink.moms

- Storing 2 pairs of drumsticks
- The attachment for connecting stands with pipes from 15.9mm to 28.6mm
- Size: 280mm(L) x 60mm(W) x 90mm(H)





CONCERT

STARPHONIC BUBINGA BRAVURA CONCERT SNARE DRUM

STARPHONIC Bubinga Concert snare drum features 14"x6", 8ply, 7mm Bubinga with Cordia shells for a fat, dark and dry tone. Employing a 120° snare bed allows for a freely resonating bottom head and maximum snare response. This is also equipped with TAMA's Grooved straight hoops and Freedom lugs.



CBC146MF 10445:- Rik.ink.moms

Shell: 7mm, 7ply 100% Bubinga + 1 outer ply Cordia Size: 14" x 6"

Lug: Freedom Lug

Hoop: Grooved Straight Hoop (10 tension)

Strainer: MLS50AD/MLS50BD w/ Multi Snare Frame Snare

Wire: Three Different Snare Wire

Nickel Wound Round Guitar String (6 strands) Black Nylon

Coated Stainless Steel Wire (6 strands) Stainless Steel Wire (6 strands)

Color: Gloss Natural Cordia(GNC)



7mm, 7ply 100% Bubinga + 1 outer ply Cordia



Grooved Straight Hoop (10 tension)



Multi Snare Frame with Three Different Snare Wire



TAMA[®]

www.tama.com
©2022-2023 TAMA DRUMS (E)