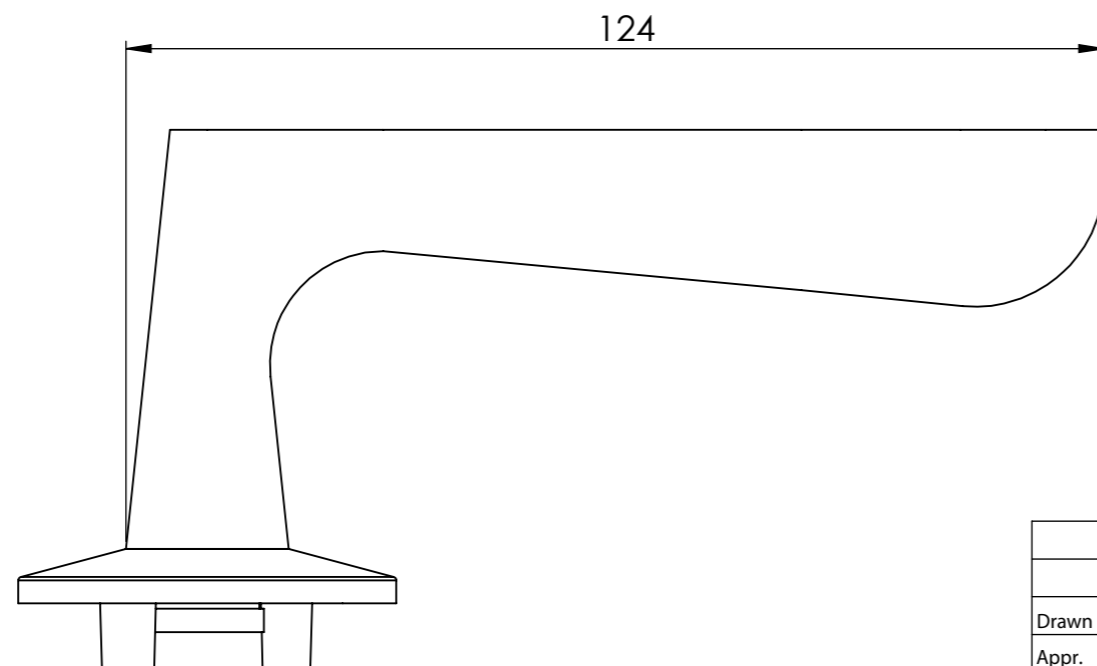
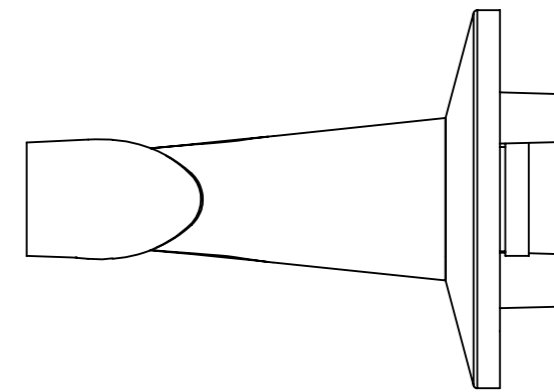
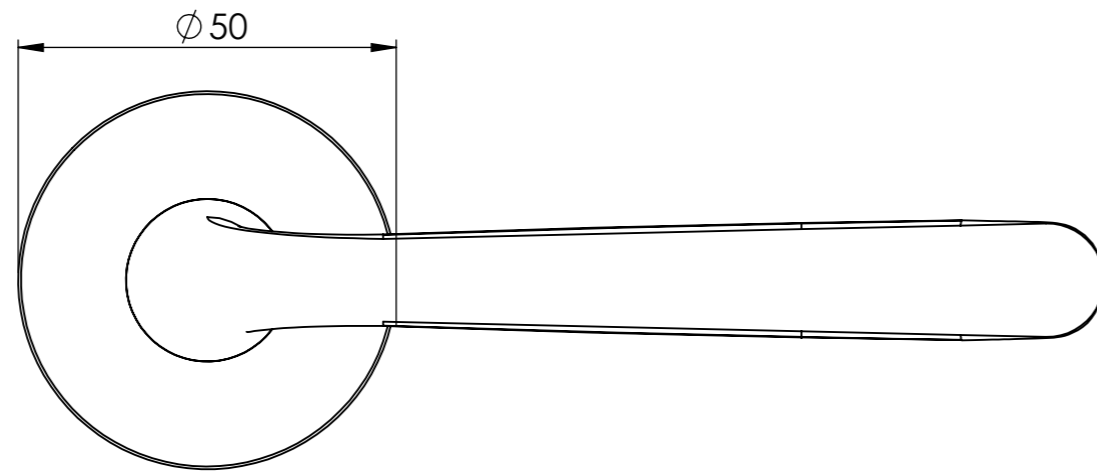
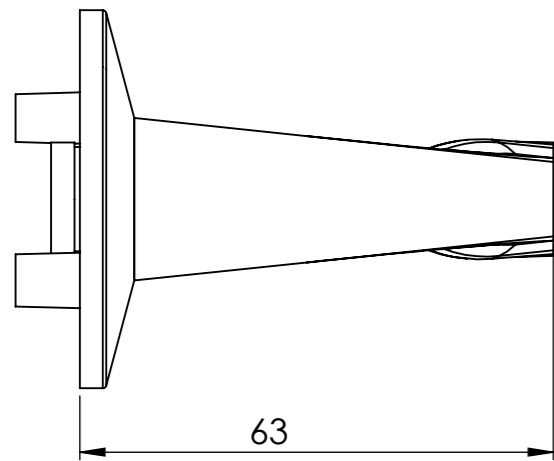
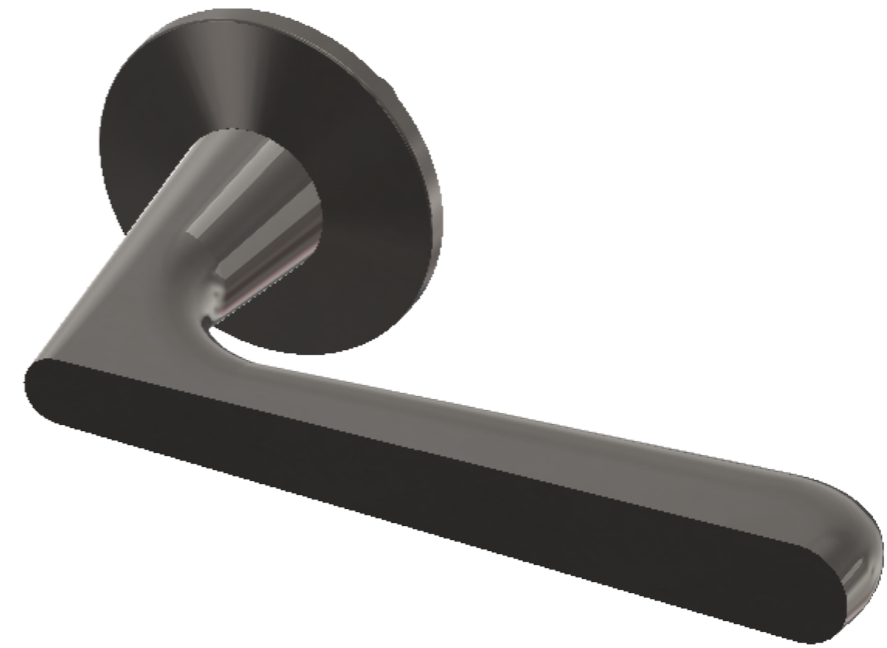
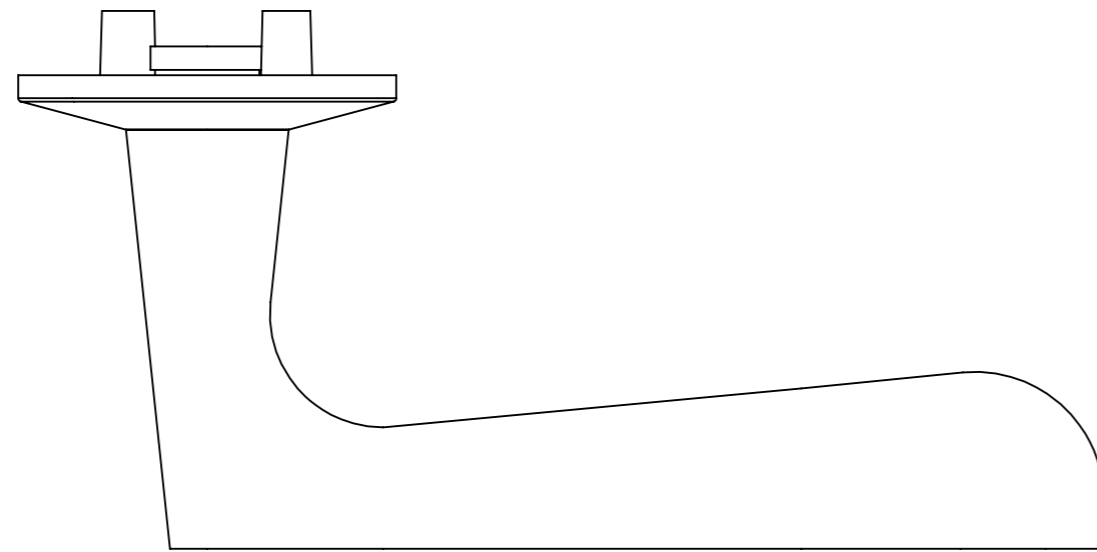


Rev	Note	CreatedBy	Appr.By	Appr.Date



Tolerance		Project	
Sign.	Date	Weight	Scale
			0 1:1
Drawn		Surface treatment	First angle projection
Appr.		Surface finish	Material
Heat treatment		Sheet	
Title/Description		1/1	
Title/Description		Rev	
Title/Description		Drawing number	
Title/Description			



18084 TS 1 Interior Door Handle