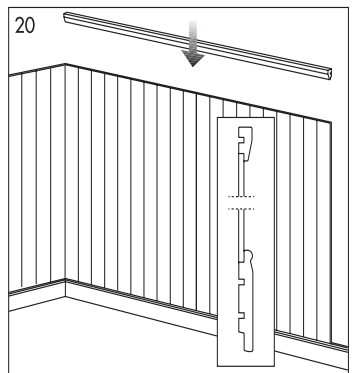
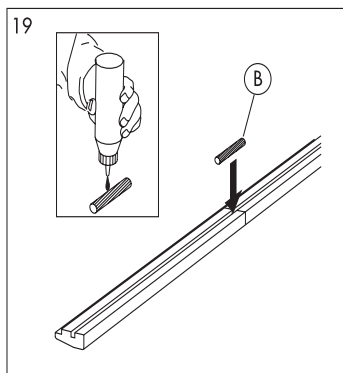
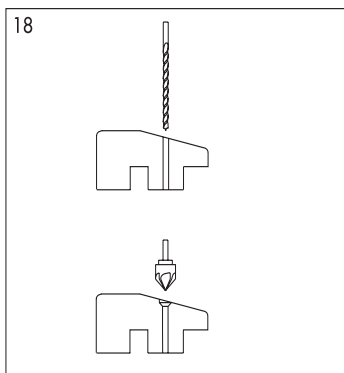
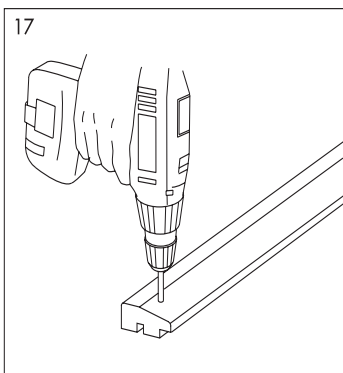
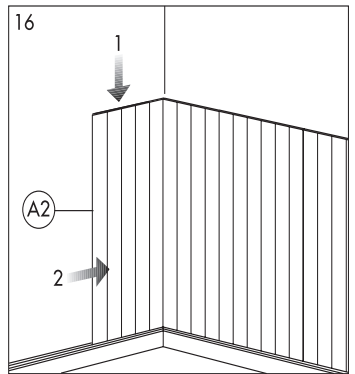
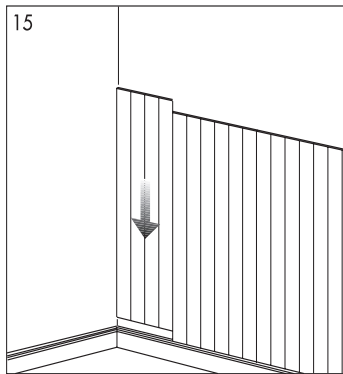
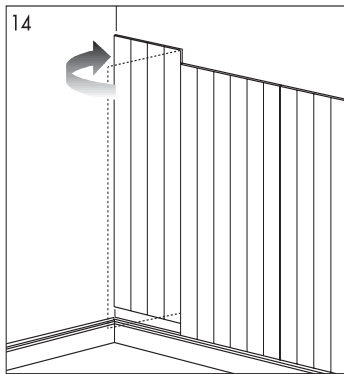
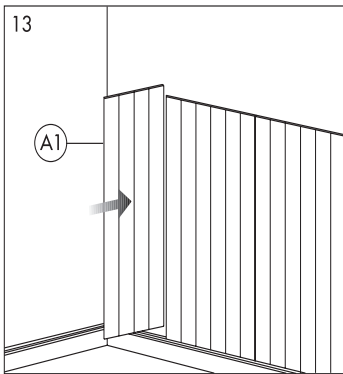
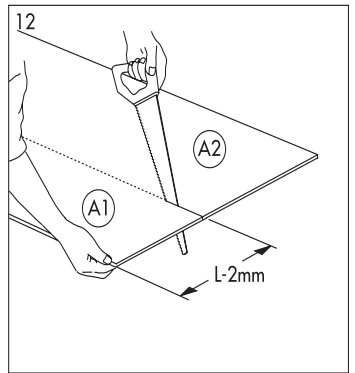
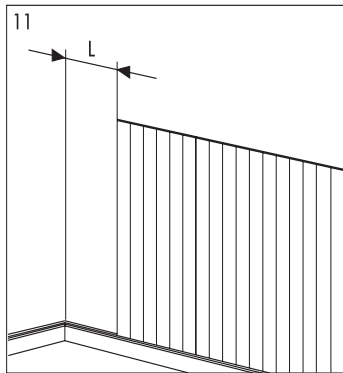
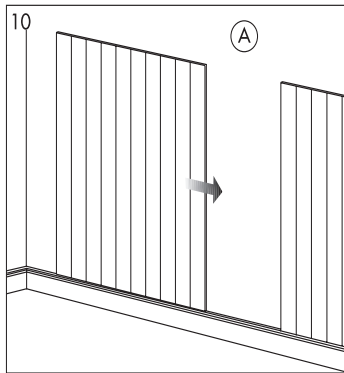
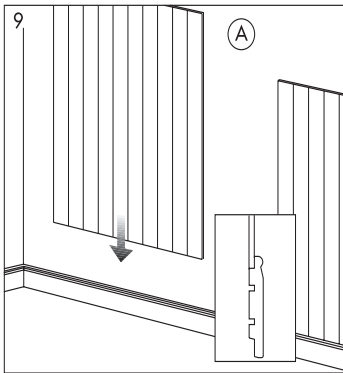
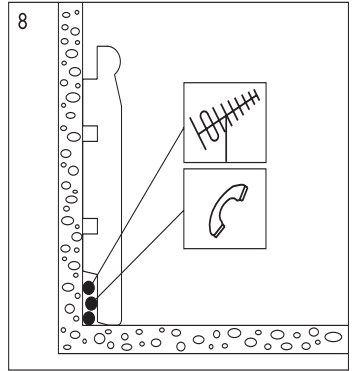
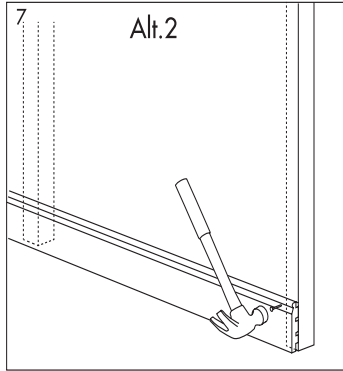
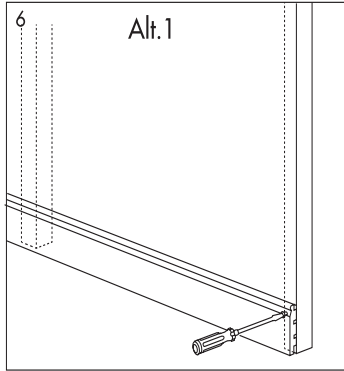
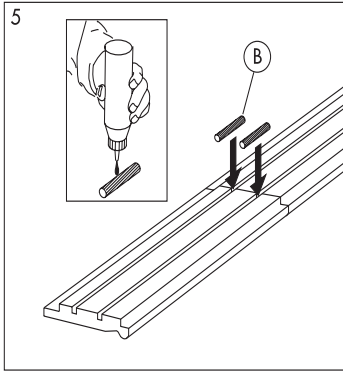
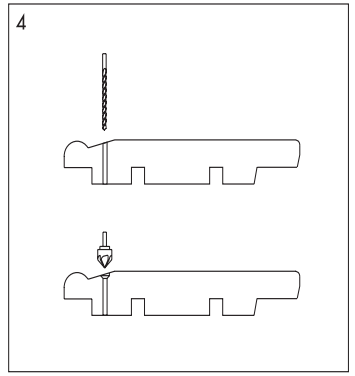
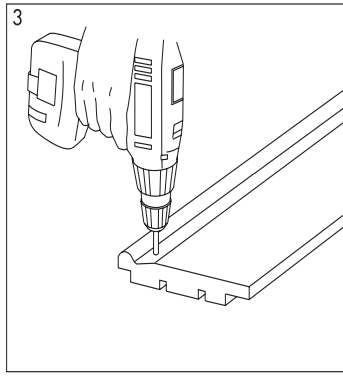
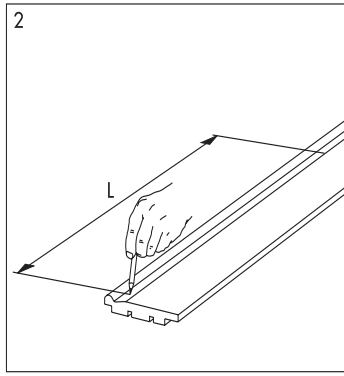
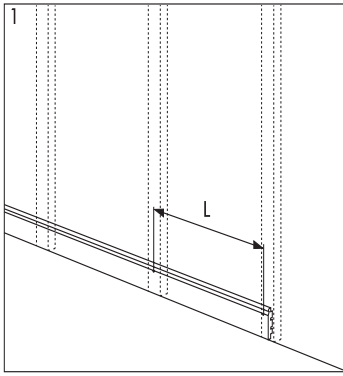
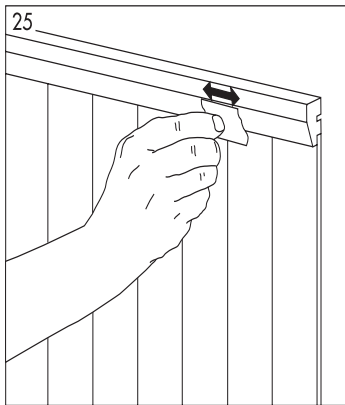
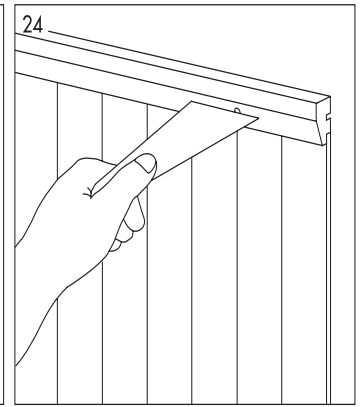
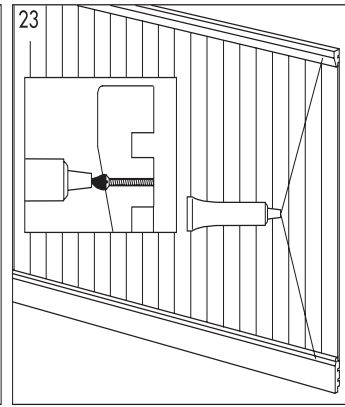
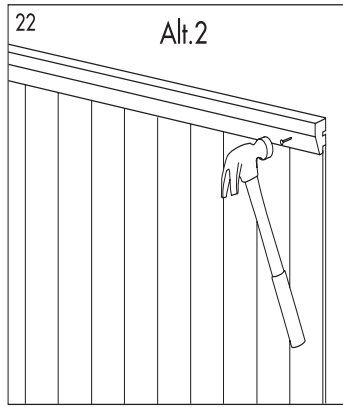
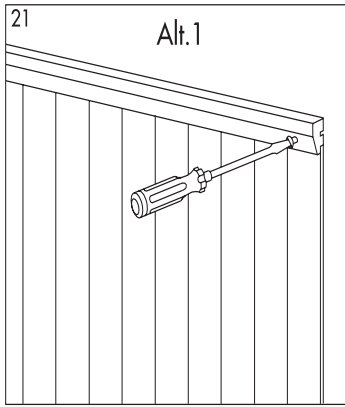
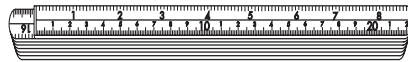
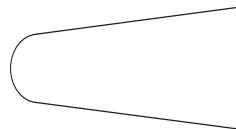
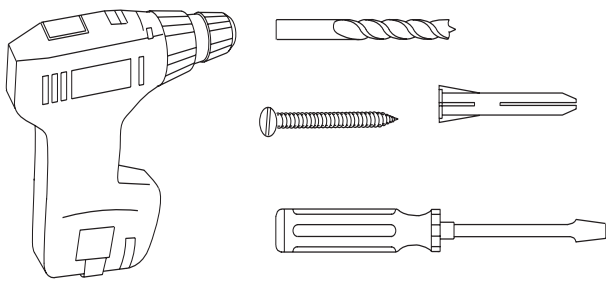
 = mm





Alt.1



Alt.2

