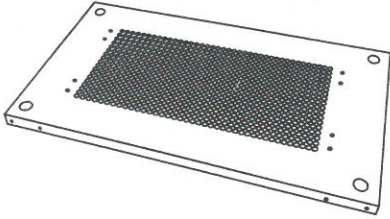
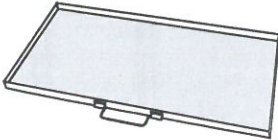
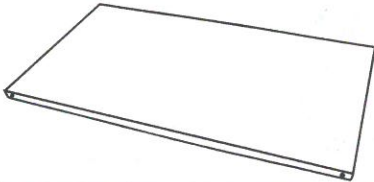











PORTABLE WELDING TABLE ASSEMBLY INSTRUCTIONS

RIMAC[®]
PROFESSIONAL PRODUCTS

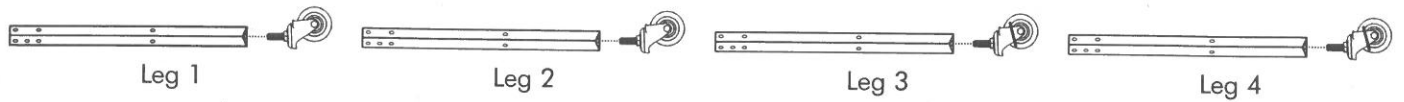
362036

LEGEND	PART PHOTO	PART NAME	QTY.
A		Top Shelf	1 Pc.
B		Slag Tray	1 Pc.
C		Additional Shelf	1 Pc.
D		Castor Wheels (with brake)	2 Pc.
E		Castor Wheels (without brake)	2 Pc.
F		Legs	4 Pc.
G		U-Hook	1 Pc.
H		Side Rib	4 Pc.
I		Tab For Ground Clamp	1 Pc.
J		Bolt, 6mm X 12mm	26 Pc.
K		Lock Nut - 6mm	26 Pc.
L		Flat Washer - 6mm	52 Pc.

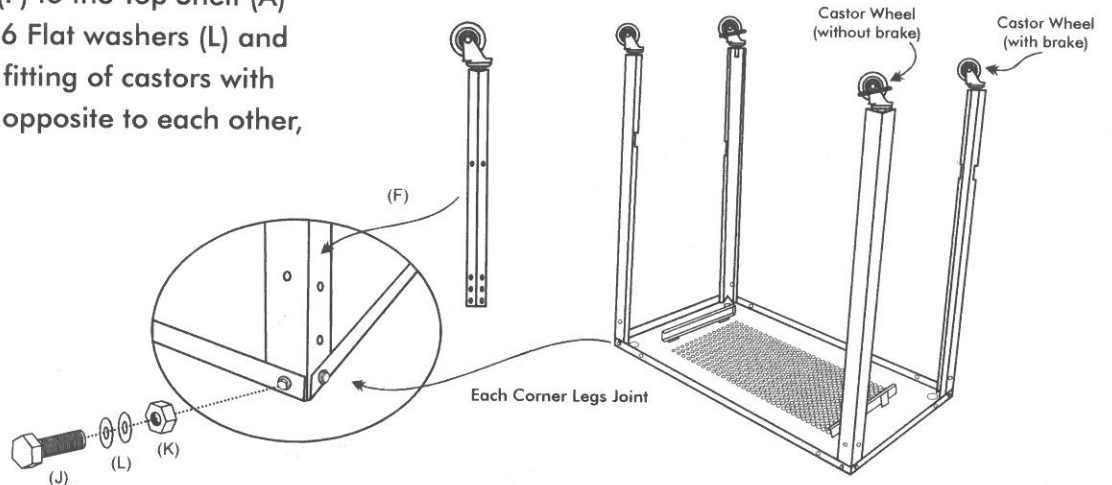
(1/4)

PORTABLE WELDING TABLE ASSEMBLY INSTRUCTIONS

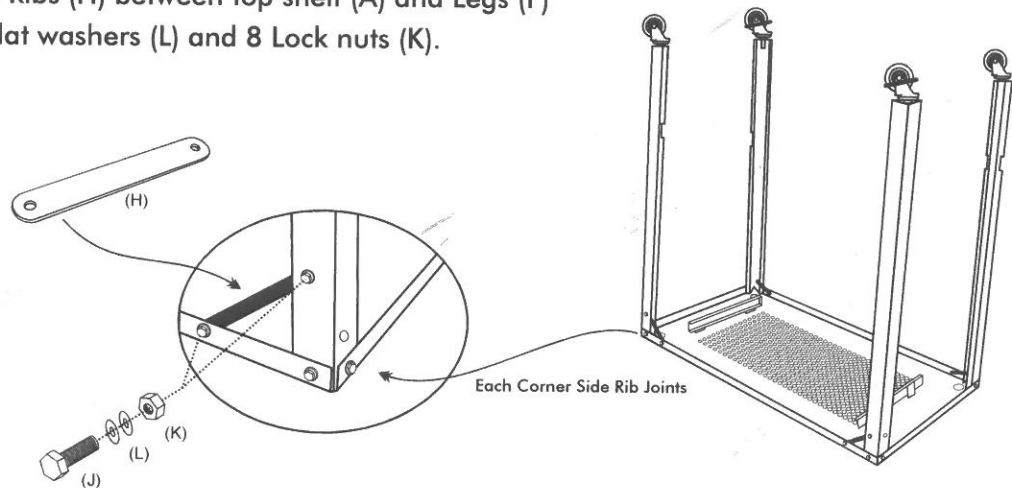
STEP 1: Assemble 4 castor wheels (D, E) to the legs (F)



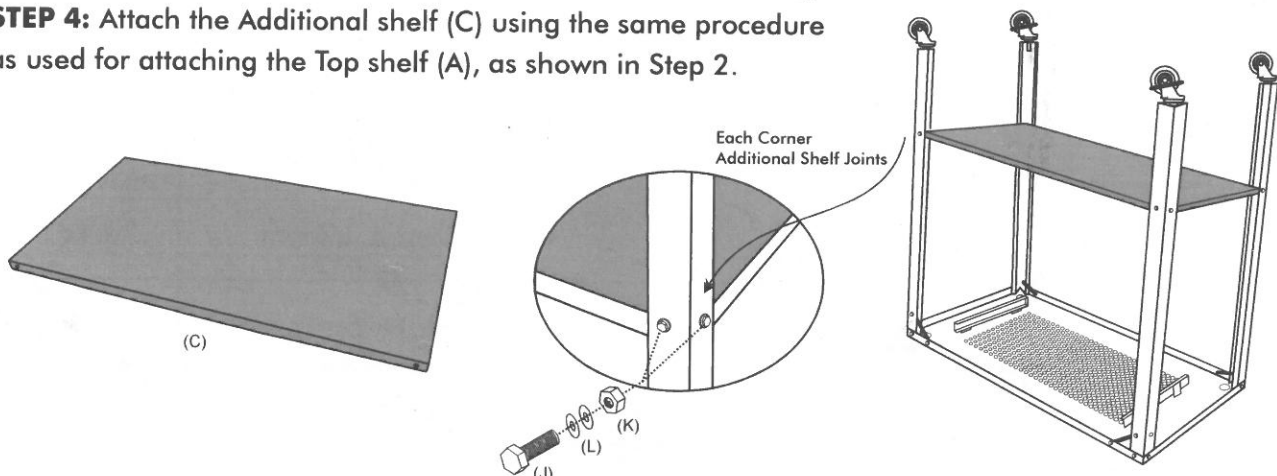
STEP 2: Attach 4 Legs (F) to the Top Shelf (A) with using 8 Bolts (J), 16 Flat washers (L) and 8 Lock nuts (K). Ensure fitting of castors with brake to be diagonally opposite to each other, for best performance.



STEP 3: Attach 4 side Ribs (H) between top shelf (A) and Legs (F) using 8 Bolts (J), 16 Flat washers (L) and 8 Lock nuts (K).

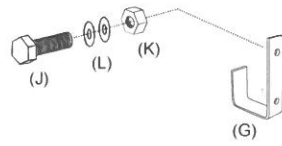


STEP 4: Attach the Additional shelf (C) using the same procedure as used for attaching the Top shelf (A), as shown in Step 2.

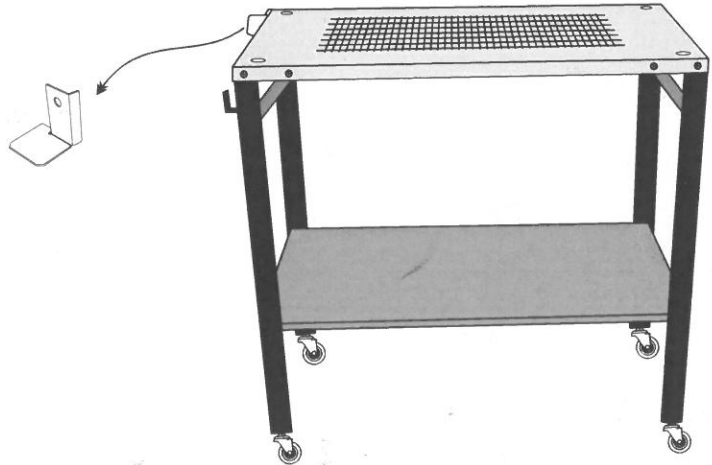


PORTABLE WELDING TABLE ASSEMBLY INSTRUCTIONS

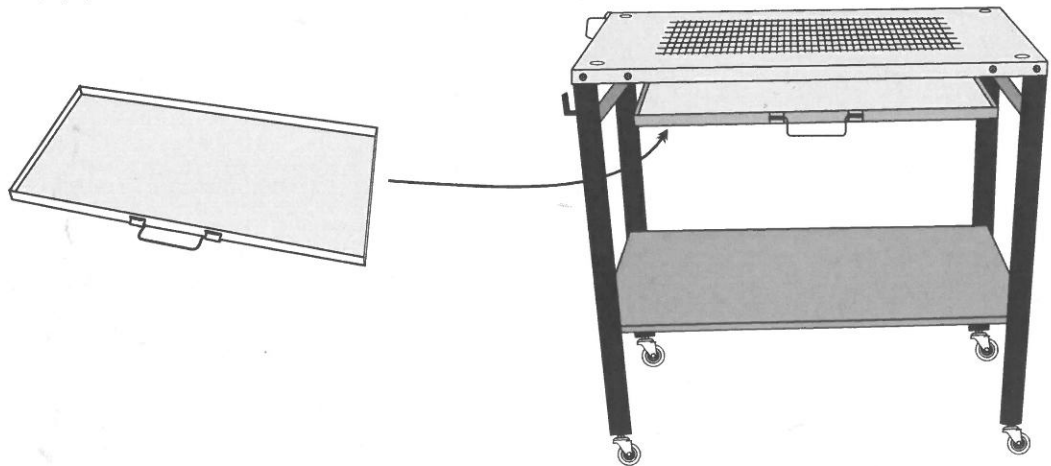
STEP 5: Attach U-hook (G) with any single leg (F) using 2 bolts (J), 4 Flat washers (L) and 2 Lock nuts (K).



STEP 6: Attach Tab for ground clamp (I) for grounding adjacent to the U- hook (G).



STEP 7: Insert Slag Tray (B) as shown below



THE PORTABLE WELDING TABLE IS NOW READY TO USE !!

(3/4)

RIMAC®

PROFESSIONAL PRODUCTS

