



ENGLISH

DEUTSCH

FRANÇAIS

ITALIANO

ESPAÑOL

POLSKI

SVENSKA

FOR MODELS:

6500SV-(EU), 6500SV3-(EU), 6500SVWRC-(EU), 6500SV3WRC-(EU),
6500SV3-NO

SAVE THESE INSTRUCTIONS. This manual contains important safety precautions which should be read and understood before operating the product. Failure to do so could result in serious injury. This manual should remain with the product.

Specifications, descriptions and illustrations in this manual are as accurate as known at the time of publication but are subject to change without notice.

INTRODUCTION

Thank you for purchasing our product.

This product is guaranteed against faulty manufacture for a period of 24 months or 1000 running hours from the date of purchase. Please keep your receipt as proof of purchase. Full T&C's can be found on the warranty page in this manual or our website www.championpowerequipment.co.uk

This guarantee will be voided if the product is found to have been abused or modified/tampered with in any way, or not used for the application/purpose for which it was intended. **Faulty goods should not be returned to the place of purchase.** The generator should be returned to the supplier of the product. No product can be returned without prior permission, returning generators costs are solely the responsibility of the user/owner. This guarantee does not affect your statutory rights.

When contacting WPE about parts and/or service, you will need to supply the complete model and serial numbers of your product. Transcribe the information found on your product's nameplate label to the table below

WPE TECHNICAL SUPPORT TEAM
service@bpeholdings.co.uk
MODEL NUMBER
SERIAL NUMBER
DATE OF PURCHASE
PURCHASE LOCATION

IMPORTANT

- Children should be kept at a safe distance from the generator and NEVER allowed to operate it.
- Your new generator needs a break in period of approx. 10-20 hours with NO more 75% maximum load being applied. After first 20 hours the oil MUST be changed, recommended oil type is 10W30 part or full Synthetic. Alternative types of oil can be found in the oil chart further in the manual under maintenance. Don't touch the engine or muffler while generator is in operation. Please pay attention to warning and caution stickers on the generator.
- Electrical equipment (including cable and plug connecting component) should be in good condition before starting and inspected prior to use.
- If replacing circuit breaker it must be equivalent or better in specification of the one to be removed.
- Due to high mechanical stress, only rubber sheathed cables are recommended to be used.
- When using extension cords or mobile distribution cabinet, the wire with 1.5mm² cross section should not be longer than 50 metres; and for 2.5mm² cross section wire should not be longer than 100 metres in length.
- With manual starting, always use decompression lever. (ONLY on Open Frame Type)
- On standard working ambient conditions (minus 5 to 40 degree Centigrade), the generator can be operated at normal running loads. If the working condition of circumstance are not normal either too high or too low, the generator should be run at a lower output of no more than 75% maximum load. When temperature, altitude and humidity is higher than standard working condition, the generator MUST reduce the output load to no more than 75% maximum load.
- Before any inspection or maintenance of the generator, the engine must be stopped and allowed to cool for a minimum 30 minutes. Check and maintain the generator according to the period table and schedule sheet in the manual.
- Except the daily maintenance or cleaning, any inspection or readjustment should be conducted by authorized professional person and source the requested original components by them from the supplier. (Contact your local dealers).
- Your newly overhauled machine must endure a breaking-in period of at least 10 hours, the output should not exceed 75% of the maximum load.

FEATURES

WPE Diesel generator possesses the following features:

This series diesel generator adopts super-light type, air cooled, 4-stroke direct injection diesel engine and has two starting options:

1. Remote Start (6500SVWRC & 6500SV3WRC)
2. Electric start.

They are equipped with large capacity fuel tank, circuit protector, A.C and sometimes D.C voltage outputs, low oil pressure alarm and automatic stopping device.

The diesel generator serves as an UPS stand-by power supply in many different applications including open working site, construction and field army. Emergency power of poultry farm, fishery, forestry, garden, hotel, shop, and office.

This operation manual tells you how to operate and service your new diesel generator. Please read it before using the diesel generator to ensure proper handling and operation. Following these instructions carefully will keep your diesel generator in the best working condition, allowing to prolong the life of your diesel generator.

If you have any questions concerning your new product or any of the information given in this manual, please contact service@bpeholdings.co.uk.

PARAMETERS

The generators can generate specified power when used in the following conditions:

Altitude: < 1000m

Ambient Temperature: 5 to 40°C

Relative humidity: <90%

WARNING

Exhaust/mufflers and gases are very hot to touch. DO NOT add or install any exhaust/muffler extensions, by doing so you will void any warranty offered.

Preventing burns

NEVER touch or handle exhaust/muffler, engine when generator is running or hot, always leave approx 30 minutes for the exhaust/muffler & engine to cool before handling.

IMPORTANT

Please read and understand this operation manual to insure safe operation, and pay high attention to the following main points of operation otherwise it may cause personal injury and damage to equipment.

Preventing fires

The fuel of this diesel engine is light diesel fuel, so petrol, kerosene or bio-diesel etc must NEVER be used. Diesel with dyes is not recommended and if used monthly maintenance is strongly recommended otherwise it will result in degraded engine performance and(or) damage to engine.

Wipe away all fuel spills with a clean cloth. Keep petrol, kerosene, matches and other explosives and inflammable substance away from the generator, because the temperature around the exhaust muffler is very high during operation. To prevent fire hazards and to provide adequate ventilation, keep the generator at least 1.5 meter away from buildings, structures and other equipment during operation.

Operate the generator on a flat level surface, there may be fuel spillage or poor operation if the generator is tilted.

WARNING

NEVER run the generator on MAX watts for longer than ten (10) minutes, by doing so you will cause the engine to overheat and then stall; risking fire. If in event this happens immediately stop the generator and allow to cool for minimum 30 mins.

Preventing exhaust gas inhalation

Exhaust gas contains poisonous carbon monoxide. Always use the generator in outdoor locations minimum 1.5m anyway from window, doors or opening.

Generators MUST never be used indoors, in garages, cabins, out building, sheds or any confined spaces including vehicles and vehicle compartments.

Electric shocks, short circuits

In order to avoid electric shocks or short circuit, do not touch the generator, when either it or your hands are wet.

This generator is not waterproof, so it should NEVER be used in a place exposed to rain, snow or water sprays.

The generator should be ground to prevent electric shocks. Please connect a length of heavy wire between the generator's ground terminal and an external ground device, ground rod or stake - minimum 200mm deep.

Do not connect any equipment to the generator before you start it.

WARNING

Most appliance motors require more than their rated wattage for start up. Do not exceed the current limit specified for any one socket. NEVER overload or run generator for long periods of time on Max watts. If generator shows signs of overheating STOP immediately and allow to cool for minimum 30mins.

Charging the battery

Battery electrolyte contains sulphuric acid. Protect your eyes, skin and clothing. In case of contact, flush thoroughly with water and get prompt attention, especially if your eyes are affected.

Batteries generate hydrogen gas, which can flames or sparks near a battery, especially during charging.

Charge the battery in a fully ventilated area.

⚠ WARNING

Know how to stop the generator quickly, and understand how to operate all of the controls. Never permit anyone to operate the generator without proper instruction.

Always wear a helmet, safety shoes and proper clothing. Keep pets and children away from the generator when it is in operation.

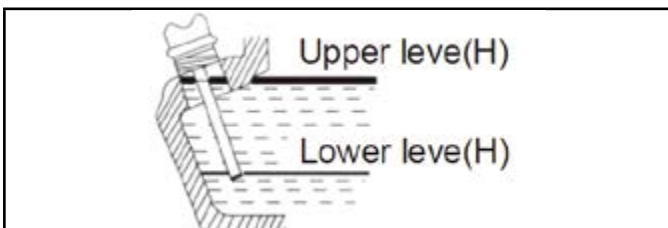
PREPARATION BEFORE START

Selection and handling of fuel

- Only light diesel fuel can be used.
- The fuel must be filtered.
- Fuel should be free of water or dust because these can contaminate the fuel injection system.
- Do not overfill the tank beyond the top of the red plug inside the fuel tank filter, use fuel gauge on top of tank.
- Do not smoke and allow sparks in the area where the engine is refueled or where gasoline is stored.
- Do not spill fuel when refueling, make sure the filter cap is securely closed.

Selection and handling of oil

- Set the generator on a level surface.
- Fill the engine oil into the inlet.
- To check the oil level, simply dip the dipstick into the pan. Do not screw in the dipstick when checking.



🗨 NOTICE

Nothing effects the performance and durability of the generator more than the oil you use. If inferior oil is used or if your engine oil is not changed regularly, the risk of piston seizure, piston ring sticking and accelerated wear of the cylinder liner, bearings and other moving components increase significantly.

- Make sure to check the oil level and to refill with oil to the specified level before starting the generator, even though it is equipped with a low oil pressure warning system.
- If your generator doesn't start by the 5th attempted or starts and cuts out, your oil level is too low and needs to be topped up.

🗨 NOTICE

Oil should be changed after the first 10 hours (or 1 month) of use and then every 3 months or 100 hours of use.

Always drain the oil while the engine is warm but not hot. It is difficult to drain the oil completely after cooling.

As a general rule oil is full when it can be visually seen on the middle - upper threads of the port. Do not over fill otherwise this will result in degraded engine performance and possible damage to engine.

⚠ WARNING

NEVER add or attempt to change oil into the generator while the engine is running.

Check air filter

- Loosen the wing nut, detach the cover of air cleaner and remove the element. Do not wash air cleaner element with detergent. Use water or petrol (MUST allow to dry before replacing).
- The air cleaner element must be changed when the output of engine decreases or the color of exhaust is abnormal.
- Never run the generator without the air cleaner element. This may cause rapid engine wear.
- Reattach the cover of air cleaner and tighten the wing nut.

Ensure no load on generator

- Turn off the main circuit breaker and any other loads.
- Be sure to turn off the main circuit breaker before starting the generator. If the switch is not on the "OFF"

position, sudden application of load could be very dangerous, when the diesel engine is started.

- The generator should be earthed to prevent electric shocks. (Recommended).

Handling of dual voltage type generator

- Operation of change over switch: The AC circuit breaker on the control panel must be set to 'OFF' position before running the machine. After starting the generator, allow the speed to reach rated RPM and then turn the AC circuit breaker to the "ON" position, so that the receptical sockets can be used for operating equipment.
- NEVER try to switch between voltages when the AC circuit breaker is ON and equipment plugged IN.
- Set the main AC circuit breaker to the "OFF" position when using the 12v DC power supply.

Check for Airlock

WARNING

The FUEL and engine OIL are drained off by factory prior to transportation. Generators are dry for storage.

- Check for airlock in fuel pipeline, and find whether there is air mixed into the pipeline, if yes, drain away the air from the pipeline before refuel and start the diesel engine.
- Fuel filter should be minimum 75% full, if not then air may be present in system.
- The method to remove is, loosen the 17mm gland nut connection between injecting pump and high pressure brass pipeline, put run lever to "RUN" position and turn over the engine until fuel starts to jet out.
- Replace and re-tighten 17mm gland and repeat the process if engine still does not start.

OPERATION

Preheater Feature

This generator is equipped with a Preheater button function for cold temperatures less than 0°C, this feature is designed to warm the engine and oil up first using the 12v DC power provided from the battery prior to the engine being cranked over.

If the outside temperature is less than 0°C it is recommended to use the preheater function button first before starting the engine.

1. Turn the Ignition key to the 'ON' position
2. Press and hold the preheater button for minimum 5 secs until the solid red illumination light appears
3. Release the button and start generator normally using key or remote (Wireless remote models Only)

If the generator fails to start repeat steps 1-3 maximum 3 times only, if the generator doesn't start after 3 attempts contact your local service agent.

Low oil warning system

- Device works to stop the engine automatically when the oil pressure falls below the regulatory level and will prevent engine seizure when the engine oil is running low or engine pressure is lost.
- The oil temperature will rise high if the engine is operated with insufficient engine oil. On the other hand, too much oil is dangerous because the oil may combust and cause a sudden and excessive rise in engine rpm, so before operating the machine each day be sure to check the oil and fill oil to the specified level if necessary.

Low Oil Warning Light

Your generator is equipped with a low oil warning light.

If the event the light is illuminated 'Solid Red' then your generator requires oil to be added immediately.

1. Stop running application immediately and turn off engine and allow to cool for approx 10-15mins.
2. Remove oil level dipstick and clean.
3. Add oil, using an oil funnel (not provided) and check using oil level dipstick (as good general rule oil is full when it can be visually seen on the middle/upper threads of the port). If using the oil dipstick NEVER screw in oil level dipstick to take a reading simply rest against top of the port and view reading.
4. Screw back in oil level dipstick
5. Run the engine for 10mins without any load allowing the oil to fully circulate.
6. Check oil level again

Failure to add the recommended oil capacity may result in increased engine wear and(or) damage to the engine.

Opening the cabinet door and cover.

Opening the cabinet door and raise the door and check daily.

1. Turn the handle anticlockwise to open cabinet door.
2. Turn the handle clockwise to lock cabinet door.

Break-in operation

While your generator is still new, application of heavy loads may shorten the life of the engine. Follow the break-in procedures during the first 20 hours.

1. Avoid applying any heavy load during the break-in period.
2. Change engine oil regularly. Change the engine oil every 20 hours or one month after the initial use, and every 3 months or 100 hours thereafter.
3. If using in hot weather or high loads change oil 100 hours or 1 month.

Starting the generator

Recoil start (Open Frame Type Only)

1. Open the fuel cock (at the "ON" position).
2. Put the engine speed lever in the "RUN" position.
3. Pull out the recoil starting handle.
4. Pull out the handle to the point where your hands feel strong resistant and then return it to the initial position.
5. Push down the decompression lever. (It will return automatically when the recoil starter is pulled).
6. Pull out the recoil starting handle briskly with both hands.
7. Do not allow the handle grip to snap back against the engine. Return it gently to prevent damage to the starter.

WARNING

NEVER pull out or touch the recoil when the diesel engine is running, otherwise it will damage the engine. (open frame type only)

8. In cold weather, when diesel engine is difficult to start, remove the red plug from the rocker arm cover and add 2 cc of engine oil.
9. Replace the red plug before starting.
10. Always keep the red plug in the cover except when adding oil, otherwise rain, dirt and other contaminants may enter the engine and cause accelerated wear of internal engine parts. This in turn can cause serious engine problems.

Electric Start

1. Turn ignition key clockwise to 'ON' position.
2. Put the engine speed lever in the "RUN" position.
3. Turn the ignition key clockwise to "Start" position.
4. Release your hand from the key as soon as the engine starts and let the key return automatically to initial 'ON' position.

5. For cold weather starting refer to Preheater feature
6. If the starter motor doesn't engage and turn over the engine after 10 seconds, please wait for about 30 seconds before attempting to start again and repeat this process..

WARNING

Please Note: NEVER hold the key in the start position for more than 10 secs, release and try again if the engine does not start first time otherwise damage can occur to starter motor.

If the starting motor is run for too long it will flatten the battery and the generator will not start (Canopy type)

Remote Control (If Applicable)

Generator can be started or stopped remotely using a wireless transmitter

1. Ensure lever is in 'RUN' position
2. Leave ignition key in 'OFF' position (No Clockwise Turn).
3. To start engine, press and hold button 'A' on transmitter for approx. 3-5 seconds.
4. If generator does not start repeat 1-2 steps and retry.
5. To stop engine press 'B' button on transmitter.

WARNING

In electric key start mode: After the generator is stopped or not in use you MUST turn the ignition key to the 'OFF' position otherwise battery will flatten over time.

WARNING

If Generator doesn't start after 3 attempts, steps 1-3 need to be REPEATED as well as general maintenance of oil level and fuel level need to be checked.

Never allow anybody other than the owner or user to remotely start or stop the generator using the wireless transmitter. Constantly starting and stopping the generator will damage electric/ electronic components or equipment and also will cause increased engine wear.

If the generator doesn't start at all after many attempts there may be malfunction or fault and you will need to contact your local service centre on service@bpeholdings.co.uk.

⚠ WARNING

NEVER run the generator on MAX watts for longer than 10mins, by doing so you will cause the engine to start to stall and overheat risking fire, immediately stop the generator and allow to cool for minimum 30mins.

Battery

Check the level of the fluid in the battery once every month. When the level drops to the lower upper mark replenish with distilled water up to the upper mark.

If battery fluid is low, the engine may fail to start because too little electricity is reaching the starter motor. Always keep the fluid level between the upper level and lower level.

If too much battery fluid is applied, the fluid may spill and corrode the surrounding parts. DO NOT over fill.

Batteries are only covered by a 1 year warranty from original date of purchase.

Operating your generator

1. Warm up the engine without load for about 3 minutes.
2. Our generator is equipped with low oil warning system. The engine will stop automatically in case of low oil pressure or a lubrication oil shortage. The engine will stop immediately if restarted without a lubrication oil refill. To check the oil level and refill
3. Do not loosen or readjust either the engine speed limiting bolt or fuel injection limiting bolt (They have been factory set) otherwise performance and fuel economy will be affected.
4. For Low oil refer to Low Oil warning lamp.
5. Failure to add the recommended oil capacity may result in increased engine wear and(or) damage to the engine.

Check during operation

1. Any abnormal sound or vibration?
2. The engine misfiring or running rough.
3. What about the color of the exhaust gas? (Is it black or too white?)

If you notice any of the above phenomenon, stop the engine and consult your nearest dealer or contact technical support on service@bpeholdings.co.uk.

AC Operation

1. Start the engine and make sure the 'GREEN' pilot lamp turns on. If it does not, the filament may be burnt out.
2. The speed of generator must reach rated speed (lever at top).
3. Load can be added to generator when the indicator volt meter on the panel shows selected voltage. Voltage tolerance can vary between +10%.
4. Plug in the appliance.

⚠ WARNING

Do not start two or more machines simultaneously. Start them one by one. Do not use floodlights together with other machines.

5. Be sure that all pieces of equipment are in good working condition before connecting them to the generator.
6. If an appliance or piece of equipment begins to operate abnormally, becomes sluggish, or stops suddenly, turn off the generator immediately. Then disconnect the appliance and examine it for signs of malfunction.
7. If overloading of the circuit trips the AC circuit protector, reduce the electrical load on the circuit, and wait a few minutes before resuming operation .
8. If the LCD display voltmeter is too low or too high, stop the machine and examine it for cause of fault.

Voltage Selector Switch

You generator is supplied with a new 3 way voltage selector switch. (Single Phase UK Models Only)

1. Turn the voltage selector switch to position '0' when generator is not in use or being starting.
2. Push the circuit breaker to 'OFF' position.
3. Start up the generator and allow engine to stabilize for approx 5 minutes..
4. Plug in your electrical equipment and turn 'ON' the piece of equipment.
5. Turn the voltage selector switch to either position 1 or 2 for the required voltage. Read the voltage display for the correct voltage output.
6. Push the circuit breaker to the 'ON' position.
7. Check power to the equipment by operating it.
8. To change selected voltage, first turn 'OFF' equipment and disconnect the plug from the generator socket.
9. Choose new equipment and voltage repeat steps 1-7

10. Never switch between position 1 or 2 whilst equipment is plugged in, always disconnect equipment before changing voltage.
11. When not in use always turn the switch to '0' and disconnect equipment or push circuit breaker to 'OFF' position.

DC Operation

The DC terminal may be used for charging 12V automotive type batteries only.

1. When using automotive-type batteries with battery cables, be sure to disconnect the minus pole battery cable from the battery before charging.
2. Start the engine.
3. Connect the charging cable to the battery terminals and the DC terminals of generator.

Connect the positive battery terminal to the positive generator terminal. Do not reverse the charging cables, or serious damage to the generator and/or battery may occur.

Do not allow the free ends of the cable to touch each other. If this occurs, it will be short circuit the battery

When a large capacity battery is charged, excessive current flows(the value varies depending on the discharging condition) , and the fuse for the direct current will blow.

4. Batteries produce explosive gases. Keep sparks, flames and cigarettes well away. To prevent the possibility of creating a spark near the battery, always connect the charging cables to battery first and only then to the generator. When disconnecting, you should disconnect the cables at the generator first.
5. Charge the battery in a well ventilated place. Before charging, remove the cap from each cell of the battery. Discontinue charging if the electrolyte temperature exceeds 45°C.

⚠ WARNING

Do not attempt to start an automobile engine while the generator is still connected to the battery.
NEVER try to use both DC 12 volt and AC at the same time.

Stopping the generator

1. Turn off the AC circuit breaker.
2. Leave the engine speed lever in the "RUN" position, operate the engine without load for approx 3 minutes,

DO NOT stop the engine suddenly because this may cause the temperature to rise abnormal and cause the nozzle to damage and seize the engine.

3. Push down the stop lever or Turn the ignition key anticlockwise to "OFF" position .

⚠ WARNING

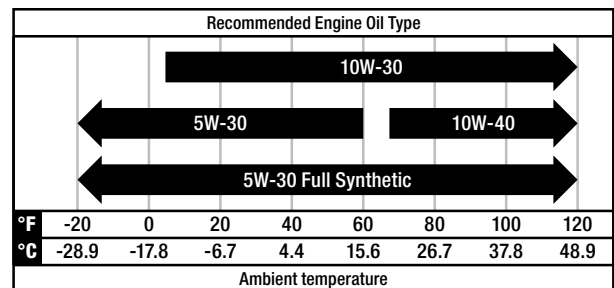
If the engine keeps on running even after the speed lever is pressed at the "Stop" position, turn the ignition key to 'OFF' position. NEVER try to stop the engine with the decompression lever (Open Frame Type Only)

MAINTENANCE

Periodic check and maintenance are very important for keeping the engine in good condition. Please read the detailed description of operating manual for each part.

Shut off the engine before performing any maintenance. If the engine must run, make sure the area is well ventilated. The exhaust contains poisonous carbon monoxide gas.

After the engine has been used, clean it immediately with a cloth to prevent corrosion and remove sediment.



DAILY

- Check oil level
- Check and replenish fuel
- Check for oil leakage
- Check and tighten and engine parts if loose

FIRST 20 HOURS

- Change oil
- Drain fuel tank
- Adjust valve clearance for intake & exhaust valves*
- Lap intake & exhaust valves*

MONTHLY

- Check battery fluid
- Check air filter

EVERY 100 HOURS OR 3 MONTHS

- ☐ Change oil
- ☐ Clean oil filter

EVERY 300 HOURS OR 6 MONTHS

- ☐ Tighten head bolts on engine*
- ☐ Replace oil filter
- ☐ Replace air filter
- ☐ Clean fuel filter
- ☐ Check fuel injection pump*
- ☐ Check fuel injection nozzle*
- ☐ Check fuel pipe
- ☐ Adjust valve clearance for intake & exhaust valves*

EVERY 1000 HOURS OR ANNUALLY

- ☐ Replace fuel filter
- ☐ Lap intake & exhaust valves*
- ☐ Replace piston rings*

EVERY 3 YEARS

- ☐ Replace fuel line*

*Special tools or skills are required - please do not attempt yourself - consult Technical Support on service@bpeholdings.co.uk. Charges may apply.

Changing engine oil (Every 100Hrs)

Remove the oil filler cap. Remove the drain plug and drain the used oil while the engine is still warm. The oil drain plug is located on the bottom of the engine block next to the oil filter. Tighten the drain plug and refill with the recommended oil 10W30 Non or part synthetic.

Cleaning the oil filter (Every 300 hours)

Undo the 10mm bolt and Remove the oil filter (located at the bottom of the engine block next to the oil drain plug). Clean with water or petrol and DO NOT use any detergents.

Changing the air cleaner element (every 300 hours)

Do not wash the air cleaner element with detergent because this is a dry type element use water or petrol. Allow to dry fully before replacing it.

⚠ WARNING

Never start the engine without the element, or with a defective element. Change the element in time

Cleaning and replacing the fuel filter (Every 300 hours)

The fuel filter also has to be cleaned regularly to insure maximum engine efficiency .

1. Drain the fuel (diesel) from the fuel tank.
2. Loosen the small clips on the hoses. Remove fuel filter and Wash through thoroughly with diesel fuel (ONLY). Remove the lock nut, end cap and diffuser discs and clean the carbon deposit.
3. If using diesel with dye, Filters MUST be changed every 100 hours or 1 month. Fuel injections system MUST be cleaned every 300 hours.

Checking and replenishing battery fluid and charging and battery (Monthly)

This diesel engine uses a 12v battery. The battery fluid will be lost through continuous charging and discharging.

Before starting , check for physical damage to the battery and also the electrolyte level, and replenish with distilled water up to the upper mark if necessary. When actual damage is discovered , replace the battery immediately. Batteries are covered by 12 months warranty from the original date of purchase.

STORAGE

If your generator should be stored in long time, the following preparation should be made.

1. Operate the diesel engine about 10 minutes with NO load and stop it.
2. Wait approx. 10 mins when the engine is still warm, drain engine oil out, then refill new 10W30 engine oil.
3. Pull out the red plug on the cylinder head cover of diesel engine and add 2ml of lubricate oil in cylinder, and finally put the red plug back it to original place.
4. Maintenance of starting position
 - Manual starting (Open Frame Type Only)
 - Put the lever to the 'RUN' position
 - Press the red pressure-reduce handle (non-compression position), pull the recoil handle 2-3 times. (Don't start diesel engine).

TROUBLESHOOTING

Problem	Cause	Solution
Engine will not start.	No fuel.	Add fuel.
	The switch is not at "ON" position	Turn it to "ON" position
	The high pressure fuel pump, injection nozzle cannot inject or the fuel amount is insufficient.	Remove the injection nozzle out and repair it or bleed the fuel injection system.
	The control lever of speed is not at "RUN" position	Put the control level to "RUN" position
	Check oil level	Add oil if needed
	The speed and force to pull the recoil starter is not enough	Start the diesel engine according to the requirements of operating procedure of start
	The injection nozzle is dirty or blocked	Clean or replace injection nozzle
	The battery is flat	Recharge or replace
Engine will not start with Remote Control.	Ignition key is not in the ON position	Check steps 1-3 on RC instructions
	Lever not in to RUN position	Check steps 1-3 on RC instructions
	Oil or fuel level low	Add oil or fuel if needed
Engine is running but no output.	AC circuit breaker is turned 'OFF'	Put the main AC switch to the "ON" position
	The contact of socket is not good	Adjust the feet of socket
	The rated speed of generator cannot be reached	Adjust engine governor according to the requirements
	Other.	Contact Technical Support service@bpeholdings.co.uk.

NOTE: When welding, if you find the electricity is too large for welder or the engine shuts down by overload during welding, it may cause by the AVR's regulator to damage or short circuit.

WARRANTY

We at Warrior understand the importance of warranty for service & repair, we are now offering a standard 2 Year (Warrior Diesel Generators) without the need for registering your purchase. We still have the option for product registration for customer who still would like to use the website and to keep in touch with ourselves.

Please view the limitations below and read the full T&C's about the warranty offered on a particular product.

All we require is the either a copy of the original proof of purchase or an invoice supplied from retailer at the time of purchase to enable the claim to be raised. Please keep your proof of purchase safe for the duration of your terms, in the unfortunate event you need our technical support we will ask for this to be provided on each claim, NO proof of purchase any warranty claim will be delayed or rejected.

Repair / Replacement Warranty

Warrior branded diesel generators warrants to the original purchaser up to 2 Years for domestic usage that the mechanical and electrical components will be free of defects in material and workmanship for a period of Year One (1) [Parts and Labour] Year Two (2) [Parts Only] from the original date of purchase or 1000 hours which ever comes first.

Industrial & Commercial Use One Year (1) [Parts and Labour] or 500 hours which ever comes first.

Transportation charges on any product submitted for repair or replacement under this warranty are the sole responsibility of the purchaser. This warranty only applies to the original purchaser and is not transferable.

Do Not Return the Unit to the Place of Purchase

Contact Warrior Technical Service and we will troubleshoot any issue via phone or e-mail. If the problem is not corrected by this method, Warrior will, at its option, authorise evaluation, repair or replacement of the defective part or component at our own Service Center. If and when an product has to be replaced it will be on a like for like basis not old for new. Warrior will provide you with a case number for warranty service and this can be monitored through your login account. Please keep it for future reference. Repairs or replacements without prior authorization, or at an unauthorized repair facility, will not be covered by this warranty. We do have warranty exclusions for customers outside the United Kingdom please see our full T&C's.

Warranty Exclusions

This warranty DOES NOT cover the following:

Normal Wear

Your product needs periodic parts and service to perform well. This warranty does not cover repair when normal use has exhausted the life of a part or the equipment as a whole.

Installation, Use and Maintenance

This warranty will not apply to parts or labour if your product is deemed to have been misused, neglected, involved in an accident, abused, overloaded beyond the generator's limits, modified, installed improperly or connected incorrectly to any electrical component or system. Normal maintenance is not covered by this warranty.

Other Exclusions

This warranty excludes:

- cosmetic defects such as paint, decals, etc.,
- worn parts including piston & rings, spark plugs, filters
- accessory parts including wheels & recoil assemblies
- failures due to acts of God and other force majeure events beyond the manufacturer's control
- problems caused by parts that are not original Warrior Power Equipment parts
- alteration or modification(s) made by any party other than the manufacturer including exhaust extension and filtration systems.
- all hoses plastic or rubber, reducing valves and regulators
- any third party electrical equipment

12v Battery

- All batteries supplied Over 1 Year Old.

Suitable Transfer Switch

Any MTS (Manual Transfer) & ATS (Automatic Transfer) systems other than ones supplied by ourselves under WARRIOR or Warrior will not be considered suitable and will invalidate all warranties given. Please contact us direct before installing any Transfer system.

Limits of Implied Warranty and Consequential Damage

Winch Solutions Ltd (CG) disclaims any obligation to cover any loss of time, use of this product, freight, or any incidental or consequential claim costs by anyone using this product.

THIS WARRANTY IS IN LIEU OF ALL OTHER WARRANTIES, EXPRESS OR IMPLIED, INCLUDING WARRANTIES OF MERCHANTABILITY OR FITNESS FOR A PARTICULAR PURPOSE.

A unit provided as an exchange will be subject to the warranty of the original unit. The length of the warranty governing the exchanged unit will remain calculated by reference to the purchase date of the original unit. This warranty gives you certain legal rights which may change from country to country. Your country may also have other rights you may be entitled to that are not listed within this warranty.

EINLEITUNG

Vielen Dank, dass Sie unser Produkt gekauft haben.

Für dieses Produkt gilt eine Garantie gegen Herstellungsfehler für einen Zeitraum von 24 Monaten oder 1000 Betriebsstunden ab Kaufdatum. Bitte bewahren Sie Ihre Kaufquittung als Beleg für den Kauf auf. Die vollständigen AGBs finden Sie auf der Garantieseite in diesem Handbuch oder auf unserer Website www.championpowerequipment.co.uk.

Diese Garantie ist ungültig, wenn sich herausstellt, dass das Produkt in irgendeiner Weise missbräuchlich verwendet oder modifiziert/manipuliert wurde oder nicht für die Anwendung/den Zweck verwendet wurde, für den es bestimmt war. **Fehlerhafte Produkte dürfen nicht an die Verkaufsstelle zurückgeschickt werden..** Der Generator sollte an den Lieferanten des Produkts zurückgegeben werden. Kein Produkt kann ohne vorherige Genehmigung zurückgeschickt werden. Die Kosten für die Rücksendung von Generatoren liegen in der alleinigen Verantwortung des Benutzers/Besitzers. Diese Garantie schränkt Ihre gesetzlichen Rechte nicht ein.

Wenn Sie sich wegen Ersatzteilen und/oder Service an WPE wenden, müssen Sie die vollständige Modell- und Seriennummer Ihres Produkts angeben. Übertragen Sie die Informationen, die Sie auf dem Typenschild Ihres Produkts finden, in die folgende Tabelle.

WPE TECHNISCHER SUPPORT
service@bpeholdings.co.uk
MODELLNUMMER
SERIENNUMMER
KAUFDATUM
ORT DES KAUFES

WICHTIG

1. Kinder dürfen den Generator NIEMALS bedienen und müssen sich in sicherer Entfernung von ihm aufhalten.
2. Ihr neuer Generator benötigt nach einer Betriebsdauer von 10-20 Stunden eine Ruhephase, in der er NICHT mit mehr als zu 75% der maximalen Last belastet wird. Nach den ersten 20 Betriebsstunden MUSS das Öl gewechselt werden. Empfohlenes Öl ist 10W30 (teil- oder vollsynthetisch). Alternative Ölsorten finden Sie in der Öltabelle weiter hinten im Handbuch unter Wartung. Berühren Sie nicht den Motor oder den Auspuff, wenn der Generator in Betrieb ist. Bitte beachten Sie die Warn- und Hinweisaufkleber auf dem Generator.
3. Die elektrischen Geräte (einschließlich der Kabel und der Steckverbindungen) müssen sich in einem guten Zustand befinden und vor der Inbetriebnahme überprüft werden.
4. Wenn ein Schutzschalter ausgetauscht wird, muss dieser den gleichen Anforderungen entsprechen oder besser sein als der, der entfernt wird.
5. Aufgrund der hohen mechanischen Belastung wird empfohlen, nur Kabel mit Gummiummantelung zu verwenden.
6. Beim Einsatz von Verlängerungskabeln oder mobilen Verteilerschränken sollte das Kabel mit einem Querschnitt von 1,5 mm² nicht länger als 50 Meter sein; bei einem Querschnitt von 2,5 mm² nicht länger als 100 Meter.
7. Beim manuellen Start immer den Dekompressionshebel betätigen. (NUR bei Open-Frame-Typ)
8. Bei normalen Umgebungsbedingungen (minus 5 bis 40 Grad Celsius) kann der Generator bei normaler Betriebslast betrieben werden. Wenn die Temperatur entweder zu hoch oder zu niedrig ist, sollte der Generator mit einer geringeren Leistung von nicht mehr als 75% der maximalen Last betrieben werden. Wenn die Temperatur, die Höhe und die Luftfeuchtigkeit höher sind als die Standardbetriebsbedingungen, MUSS die Ausgangslast des Generators auf höchstens 75% der maximalen Last reduziert werden.
9. Vor jeder Inspektion oder Wartung des Generators den Motor abstellen und mindestens 30 Minuten abkühlen lassen. Den Generator gemäß der Tabelle und dem Zeitplan im Handbuch überprüfen und warten.
10. Mit Ausnahme der täglichen Wartung und Reinigung sollte jede Inspektion oder Anpassung von autorisiertem Fachpersonal durchgeführt werden, das die erforderlichen Originalteile vom Lieferanten bezieht. (Kontaktieren Sie Ihren Händler vor Ort).
11. Die frisch revidierte Maschine muss eine Einlaufphase von mindestens 10 Stunden überstehen, wobei die Leistung 75% der maximalen Last nicht überschreiten sollte.

FUNKTIONEN

Der WPE Dieselgenerator hat folgende Funktionen:

Bei dieser Serie handelt es sich um extrem leichte, luftgekühlte Dieselmotoren mit Direkteinspritzung, die über zwei Startoptionen verfügen:

1. Anreißstarter
2. Elektrischer Starter.

Sie verfügen über einen Kraftstofftank mit großem Fassungsvermögen, einen Stromkreisschutz, Wechsel- und manchmal Gleichspannungsausgänge, einen Alarm für niedrigen Öldruck und eine automatische Abschaltvorrichtung.

Der Dieselgenerator dient als USV-Notstromversorgung in vielen verschiedenen Anwendungen, unter anderem auf Baustellen, bei der Armee usw. Notstromversorgung für Geflügelzucht, Fischerei, Forstwirtschaft, Garten, Hotel, Geschäft und Büro.

In diesem Handbuch erfahren Sie, wie Sie Ihren neuen Dieselgenerator bedienen und warten können. Bitte lesen Sie es, bevor Sie den Dieselgenerator in Betrieb nehmen, um eine korrekte Handhabung und Bedienung sicherzustellen. Wenn Sie diese Anweisungen sorgfältig befolgen, bleibt Ihr Dieselgenerator in einem optimalen Betriebszustand und Sie können die Lebensdauer des Gerätes verlängern.

Wenn Sie Fragen zu Ihrem neuen Produkt oder zu den in diesem Handbuch enthaltenen Informationen haben, wenden Sie sich bitte an service@bpeholdings.co.uk.

KENNZAHLEN

Die Generatoren können die angegebene Leistung erzeugen, wenn sie unter den folgenden Bedingungen eingesetzt werden:

Höhe: < 1000m

Umgebungstemperatur: 5 bis 40°C

Relative Luftfeuchtigkeit: <90%

WARNUNG

Auspuff/Auspufftopf und Gase können sehr heiß sein. KEINE Auspuff-/Auspufftopfverlängerungen hinzufügen oder montieren, da dadurch jegliche Garantie erlischt.

Verbrennungen verhindern

Dieser Dieselmotor wird mit leichtem Dieselkraftstoff betrieben, daher darf NIEMALS Benzin, Kerosin oder Biodiesel usw. verwendet werden. Diesel mit Farbstoffen wird nicht empfohlen, und wenn er verwendet wird, ist eine monatliche Wartung dringend empfohlen, da dies sonst zu einer verminderten Motorleistung und (oder) zu Schäden am Motor führt.

Berühren Sie NIEMALS den Auspuff/Auspufftopf oder den Motor, wenn der Generator läuft oder heiß ist. Lassen Sie den Auspuff/Auspufftopf und den Motor immer ca. 30 Minuten abkühlen, bevor Sie ihn anfassen.

WICHTIG

Lesen Sie diese Bedienungsanleitung aufmerksam durch, um einen sicheren Betrieb zu gewährleisten, und achten Sie besonders auf die folgenden Hauptpunkte, da es sonst zu Verletzungen und Schäden am Gerät kommen kann.

WARNUNG

Lassen Sie den Generator NIEMALS länger als zehn (10) Minuten auf MAX-Watt laufen, da der Motor sonst überhitzt und abgewürgt wird; es besteht Brandgefahr. Sollte dies der Fall sein, schalten Sie den Generator sofort aus und lassen Sie ihn mindestens 30 Minuten abkühlen..

Brände verhindern

Der Kraftstoff dieses Dieselmotors ist leichter Dieselmotorkraftstoff, daher darf NIEMALS Benzin, Kerosin oder Biodiesel usw. verwendet werden. Diesel mit Farbstoffen wird nicht empfohlen, und wenn verwendet, wird eine monatliche Wartung dringend empfohlen, da dies sonst zu einer verminderten Motorleistung und/oder Motorschäden führt.

WARNUNG

Lassen Sie den Generator NIEMALS länger als 10 Minuten auf maximaler Wattleistung laufen. Dadurch wird der Motor abgewürgt und überhitzt, wodurch Brandgefahr besteht. Stellen Sie den Generator sofort ab und lassen Sie ihn mindestens 30 Minuten lang abkühlen.

Dieser Dieselmotor wird mit leichtem Dieselkraftstoff betrieben, d. h. es darf NIEMALS Benzin, Kerosin oder Biodiesel usw. verwendet werden.

Wischen Sie verschütteten Kraftstoff mit einem sauberen Tuch auf. Achten Sie darauf, dass Benzin, Kerosin, Streichhölzer und andere explosive und brennbare Stoffe nicht in die Nähe des Generators gelangen, da die Temperatur im Bereich des Auspufftopfes während des Betriebs sehr hoch ist. Um Brandgefahren zu vermeiden und eine ausreichende Belüftung zu gewährleisten, sorgen Sie dafür, dass der Generator während des Betriebs mindestens 1,5 Meter von Gebäuden, Strukturen und anderen Geräten entfernt ist.

Betreiben Sie den Generator auf einer ebenen Fläche. Wenn der Generator schief steht, kann Kraftstoff verschüttet oder der Betrieb beeinträchtigt werden.

⚠️ WARNUNG

Lassen Sie den Generator NIEMALS länger als 10 Minuten auf maximaler Wattleistung laufen. Dadurch wird der Motor abgewürgt und überhitzt, wodurch Brandgefahr besteht. Stellen Sie den Generator sofort ab und lassen Sie ihn mindestens 30 Minuten lang abkühlen.

Einatmen von Abgasen verhindern

Die Abgase enthalten giftiges Kohlenmonoxid. Verwenden Sie den Generator immer im Freien, mindestens 1,5 m von Fenstern, Türen oder Öffnungen entfernt.

Generatoren DÜRFEN NIEMALS in Innenräumen, Garagen, Hütten, Nebengebäuden, Schuppen oder anderen geschlossenen Räumen, einschließlich Fahrzeugen und Fahrzeugabteilen, verwendet werden.

Stromschläge, Kurzschlüsse

Um Stromschläge oder Kurzschlüsse zu vermeiden, sollten Sie den Generator nicht mit nassen Händen anfassen.

Dieser Generator ist nicht wasserdicht und sollte daher NIEMALS an Orten verwendet werden, die dem Einfluss von Regen, Schnee oder Wasserspritzern ausgesetzt sind. Der Generator sollte geerdet sein, um Stromschläge zu vermeiden. Verbinden Sie ein dickes Kabel zwischen dem Erdungsanschluss des Generators und einer externen Erdungsvorrichtung, einem Erdungsstab oder -spieß - mindestens 200 mm tief.

Schließen Sie keine Geräte an den Generator an, bevor Sie ihn starten.

⚠️ WARNUNG

Die meisten Motoren von Geräten benötigen zum Starten mehr als ihre Nennleistung. Überschreiten Sie nicht die für eine einzelne Steckdose angegebene Obergrenze für den Strom. Überlasten Sie den Generator NIEMALS und lassen Sie ihn nicht über einen längeren Zeitraum mit maximaler Leistung laufen. Wenn der Generator Anzeichen von Überhitzung zeigt, schalten Sie ihn sofort aus und lassen Sie ihn mindestens 30 Minuten lang abkühlen.

Aufladen der Batterie

Batterieelektrolyt enthält Schwefelsäure. Schützen Sie Ihre Augen, Haut und Kleidung. Bei Kontakt spülen Sie alles gründlich mit Wasser aus und suchen Sie umgehend einen Arzt auf, insbesondere wenn Ihre Augen betroffen sind.

Batterien erzeugen Wasserstoffgas, wodurch es in der Nähe einer Batterie zu Entzündungen oder Funkenbildung kommen kann, insbesondere beim Laden.

Laden Sie den Akku in einem gut belüfteten Bereich auf.

⚠️ WARNUNG

Informieren Sie sich darüber, wie Sie den Generator schnell abschalten können und wie die einzelnen Bedienelemente funktionieren. Erlauben Sie niemandem, den Generator ohne entsprechende Anleitung zu bedienen.

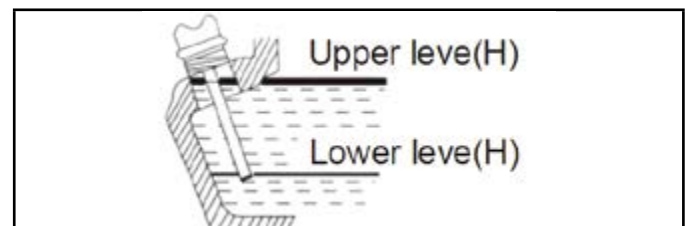
Tragen Sie immer einen Helm, Sicherheitsschuhe und angemessene Kleidung. Achten Sie darauf, dass Haustiere und Kinder nicht in die Nähe des Generators gelangen, wenn dieser in Betrieb ist.

VORBEREITUNG VOR DEM START**Auswahl und Verwendung von Kraftstoff**

- Es darf nur leichter Dieselkraftstoff verwendet werden.
- Der Kraftstoff muss gefiltert werden.
- Der Kraftstoff darf kein Wasser oder Staub enthalten, da diese das Einspritzsystem verunreinigen können.
- Achten Sie darauf, dass Sie den Tank nicht über die Oberkante des roten Stopfens im Kraftstofftankfilter hinaus auffüllen. Verwenden Sie die Tankanzeige oben auf dem Tank.
- In dem Bereich, in dem der Motor aufgetankt wird oder in dem Benzin gelagert wird, ist Rauchen verboten und es dürfen keine Funken entstehen.
- Achten Sie darauf, dass Sie beim Tanken keinen Kraftstoff verschütten und der Filterdeckel fest verschlossen ist.

Auswahl und Verwendung von Öl

- Stellen Sie den Generator auf eine gerade Fläche.
- Füllen Sie das Motoröl in den Einlass.
- Um den Ölstand zu prüfen, tauchen Sie einfach den Ölmesstab in die Ölwanne. Schrauben Sie den Ölmesstab beim Prüfen nicht ein.



HINWEIS

Nichts beeinflusst die Leistung und Lebensdauer des Generators mehr als das Öl, das Sie verwenden. Wenn Sie qualitativ minderwertiges Öl verwenden oder das Motoröl nicht regelmäßig wechseln, erhöht sich das Risiko von Kolbenfressern, klebenden Kolbenringen und beschleunigtem Verschleiß von Zylinderlaufbuchsen, Lagern und anderen beweglichen Komponenten erheblich.

- Prüfen Sie unbedingt den Ölstand und füllen Sie Öl bis zum vorgeschriebenen Pegel nach, bevor Sie den Generator starten, auch wenn er mit einem Warnsystem für niedrigen Öldruck ausgestattet ist.
- Wenn Ihr Generator beim 5. Versuch nicht anspringt oder nach dem Start ausfällt, ist der Ölstand zu niedrig und muss nachgefüllt werden.

HINWEIS

Das Öl sollte nach den ersten 10 Betriebsstunden (oder 1 Monat) und dann alle 3 Monate oder 100 Betriebsstunden gewechselt werden.

Lassen Sie das Öl immer ab, wenn der Motor warm, aber nicht heiß ist. Nach dem Abkühlen ist es schwierig, das Öl vollständig abzulassen.

In der Regel ist der Ölstand erreicht, wenn das Öl an den mittleren bis oberen Gewinden des Anschlusses sichtbar ist. Überfüllen Sie den Tank nicht, da dies zu einer verminderten Motorleistung und möglicherweise zu Motorschäden führen kann.

⚠️ WARNUNG

NIEMALS bei laufendem Motor Öl in den Generator einfüllen oder versuchen, es zu wechseln.

Luftfilter prüfen

- Die Flügelmutter lösen, den Deckel des Luftfilters abnehmen und das Element entfernen. Das Luftfilterelement nicht mit einem Reinigungsmittel waschen. Wasser oder Benzin verwenden (MUSS vor dem Wiedereinsetzen trocken sein).
- Das Luftfilterelement muss ausgetauscht werden, wenn die Motorleistung nachlässt oder die Farbe der Abgase ungewöhnlich ist.
- Betreiben Sie den Generator niemals ohne das Luftfilterelement. Dies kann zu einem schnellen Verschleiß des Motors führen.
- Bringen Sie die Abdeckung des Luftfilters wieder an und ziehen Sie die Flügelmutter fest.

Sicherstellen, dass der Generator nicht belastet wird.

- Den Hauptstromkreisunterbrecher und alle anderen Lasten ausschalten.
- Stellen Sie sicher, dass der Hauptschalter ausgeschaltet ist, bevor Sie den Generator starten. Ist der Schalter nicht in der Position „OFF“, kann eine plötzliche Belastung beim Anlassen des Dieselmotors sehr gefährlich sein.
- Der Generator sollte geerdet sein, um Stromschläge zu vermeiden. (Empfohlen).

Bedienung eines Doppelspannungsgenerators

- Betätigung des Umschalters: Bevor Sie das Gerät in Betrieb nehmen, muss der Wechselstromschalter am Bedienfeld auf „OFF“ gestellt werden. Nach dem Start des Generators die Drehzahl auf Nenn Drehzahl hochfahren lassen und dann den Wechselstromschalter auf „ON“ schalten, damit die Steckdosen für den Betrieb von Geräten genutzt werden können.
- Versuchen Sie NIEMALS, zwischen den Spannungen umzuschalten, wenn der Wechselstromschalter eingeschaltet und das Gerät eingesteckt ist.
- Stellen Sie den Wechselstromhauptschalter in die Position „OFF“, wenn Sie die 12-V-Gleichstromversorgung verwenden.

Auf Luftschleuse prüfen**⚠️ WARNUNG**

Der KRAFTSTOFF und das MOTORENÖL werden vor dem Transport werksseitig abgelassen. Die Generatoren werden trocken gelagert.

- Prüfen Sie, ob sich Luft in der Kraftstoffleitung befindet. Falls ja, lassen Sie die Luft aus der Leitung ab, bevor Sie tanken und den Dieselmotor starten.
- Der Kraftstofffilter sollte zu mindestens 75% gefüllt sein, andernfalls kann sich Luft im System befinden.
- Die 17-mm-Stopfbuchsendichtung zwischen der Einspritzpumpe und der Hochdruck-Messingleitung lösen, den Starthebel in die Position „RUN“ stellen und den Motor drehen, bis der Kraftstoff herausspritzt.
- Die 17-mm-Stopfbuchsendichtung wieder einsetzen und anziehen und den Vorgang wiederholen, wenn der Motor immer noch nicht anspringt.

BETRIEB

Vorwärmer-Funktion

Dieser Generator ist mit einer Vorwärmer-Funktion für kalte Temperaturen unter 0°C ausgestattet. Diese Funktion dient dazu, den Motor und das Öl mit Hilfe der von der Batterie gelieferten 12-V-Gleichstromversorgung aufzuwärmen, bevor der Motor angelassen wird.

Wenn die Außentemperatur unter 0°C liegt, wird empfohlen, vor dem Anlassen des Motors zuerst die Vorwärmertaste zu betätigen.

3. Drehen Sie den Zündschlüssel in die Stellung ‚ON‘.
4. Drücken Sie die Vorwärmertaste und halten Sie sie mindestens 5 Sekunden lang gedrückt, bis die rote Kontrollleuchte leuchtet.
5. Lassen Sie die Taste los und starten Sie den Generator normal mit dem Schlüssel oder der Fernbedienung (nur bei Modellen mit Fernbedienung).

Wenn der Generator nicht anspringt, wiederholen Sie die Schritte 1-3 maximal 3 Mal. Wenn der Generator nach 3 Versuchen nicht anspringt, wenden Sie sich an Ihren örtlichen Kundendienst.

Warnsystem für niedrigen Ölstand

- Das Gerät schaltet den Motor automatisch ab, wenn der Öldruck unter den vorgeschriebenen Wert fällt, und verhindert ein Blockieren des Motors, wenn das Motoröl zu niedrig ist oder der Motordruck abfällt.
- Wenn der Motor mit zu wenig Motoröl betrieben wird, steigt die Öltemperatur stark an. Allerdings ist ein zu hoher Ölstand gefährlich, da sich das Öl entzünden und einen plötzlichen und übermäßigen Anstieg der Motordrehzahl verursachen kann. Prüfen Sie daher vor jedem Einsatz der Maschine den Ölstand und füllen Sie bei Bedarf Öl bis zum vorgeschriebenen Pegel auf.

Warnleuchte für niedrigen Ölstand

Ihr Generator ist mit einer Warnleuchte für niedrigen Ölstand ausgestattet.

Wenn die Leuchte dauerhaft rot leuchtet, muss Ihrem Generator sofort Öl nachgefüllt werden.

1. Stoppen Sie sofort den Betrieb der Maschine, stellen Sie den Motor ab und lassen Sie ihn ca. 10-15 Minuten abkühlen.
2. Entfernen Sie den Ölmesstab und reinigen Sie ihn.
3. Füllen Sie Öl mit einem Öltrichter (nicht mitgeliefert) ein und prüfen Sie den Ölstand mit dem Ölmesstab (als allgemeine Regel gilt, dass das Öl voll ist, wenn es am mittleren/oberen Gewinde des Anschlusses zu sehen ist). Wenn Sie den Ölmesstab verwenden,

schrauben Sie ihn NIEMALS ein, um den Ölstand abzulesen, sondern halten Sie ihn einfach oben am Anschluss an und sehen Sie sich den Stand an.

4. Schrauben Sie den Ölmesstab wieder ein.
5. Lassen Sie den Motor 10 Minuten lang ohne Last laufen, damit das Öl vollständig zirkulieren kann.
6. Prüfen Sie den Ölstand erneut.

Wird die empfohlene Ölmenge nicht nachgefüllt, kann dies zu erhöhtem Motorverschleiß und (oder) zu Schäden am Motor führen.

Tür und Deckel des Gehäuses öffnen.

Öffnen Sie die Schranktür, klappen Sie sie auf und überprüfen Sie sie täglich.

1. Drehen Sie den Griff gegen den Uhrzeigersinn, um die Schranktür zu öffnen.
2. Drehen Sie den Griff im Uhrzeigersinn, um die Schranktür zu verriegeln.

Einlaufphase

Solange Ihr Generator noch neu ist, können schwere Lasten die Lebensdauer des Motors verkürzen. Halten Sie sich während der ersten 20 Stunden an die Anleitungen zum Einlaufen.

1. Vermeiden Sie während der Einlaufphase jede schwere Belastung.
2. Wechseln Sie regelmäßig das Motoröl. Wechseln Sie das Motoröl alle 20 Stunden oder einen Monat nach der ersten Benutzung und danach alle 3 Monate oder 100 Stunden.
3. Wenn Sie den Motor bei heißem Wetter oder unter hoher Belastung einsetzen, wechseln Sie das Öl nach 100 Stunden oder 1 Monat.

Starten des Generators

Anreißstarter (nur „Open Frame“-Typ)

1. Den Benzinhahn öffnen (in der Position „ON“).
2. Den Drehzahlhebel auf die Position „RUN“ stellen.
3. Den Griff zum Anreißstarten herausziehen.
4. Ziehen Sie den Griff bis zu dem Punkt heraus, an dem Sie einen starken Widerstand spüren, und bringen Sie ihn dann in die Ausgangsposition zurück.
5. Den Dekompressionshebel nach unten drücken (kehrt automatisch zurück, wenn der Anreißstarter gezogen wird).
6. Ziehen Sie den Griff des Anreißstarters zügig mit beiden Händen heraus.
7. Achten Sie darauf, dass der Handgriff nicht gegen den Motor zurückschnellt. Schieben Sie ihn

vorsichtig zurück, damit der Starter nicht beschädigt wird.

WARNUNG

Ziehen Sie NIEMALS den Anreißstarter heraus oder berühren Sie ihn, wenn der Dieselmotor läuft, da dies den Motor beschädigen kann (nur „Open Frame“-Typ)

8. Wenn der Dieselmotor bei kaltem Wetter nur schwer zu starten ist, entfernen Sie den roten Stopfen aus der Kiphebelabdeckung und füllen Sie 2 ml Motoröl nach.
9. Stecken Sie den roten Stecker vor dem Start wieder ein.
10. Lassen Sie den roten Stopfen immer im Deckel, außer beim Nachfüllen von Öl. Andernfalls können Regen, Schmutz und andere Verunreinigungen in den Motor eindringen und den Verschleiß der inneren Motorteile beschleunigen. Dies wiederum kann ernsthafte Motorprobleme verursachen.

Elektrischer Start

1. Drehen Sie den Zündschlüssel im Uhrzeigersinn in die Position „ON“.
2. Den Drehzahlhebel auf die Position „RUN“ stellen.
3. Drehen Sie den Zündschlüssel im Uhrzeigersinn in die Position „Start“.
4. Nehmen Sie die Hand vom Schlüssel, sobald der Motor anspringt, und lassen Sie den Schlüssel automatisch in die Ausgangsposition „ON“ zurückkehren.
5. Für das Starten bei kaltem Wetter siehe Vorwärmfunktion
6. Wenn der Starter nach 10 Sekunden nicht einrastet und den Motor anlässt, warten Sie bitte etwa 30 Sekunden, bevor Sie erneut einen Startversuch unternehmen, und wiederholen Sie diesen Vorgang..

WARNUNG

Hinweis: Halten Sie den Schlüssel NIEMALS länger als 10 Sekunden in der Startposition, lassen Sie ihn los und versuchen Sie es erneut, wenn der Motor beim ersten Mal nicht anspringt, sonst kann der Startermotor beschädigt werden.

Wenn der Startmotor zu lange läuft, entlädt sich die Batterie und der Generator springt nicht an (Typ Canopy)

Batterie

Prüfen Sie den Flüssigkeitsstand in der Batterie einmal pro Monat. Wenn der Pegel auf die untere obere Markierung fällt, füllen Sie destilliertes Wasser bis zur oberen Markierung nach.

Wenn zu wenig Batterieflüssigkeit vorhanden ist, springt der Motor möglicherweise nicht an, da nicht genügend Strom zum Anlasser gelangt. Achten Sie darauf, dass der Pegel immer zwischen dem oberen und dem unteren Pegel liegt.

Wenn zu viel Batterieflüssigkeit aufgetragen wird, kann die Flüssigkeit auslaufen und die umliegenden Teile korrodieren. NICHT überfüllen.

Für die Batterien gilt lediglich eine Garantie von 1 Jahr ab dem Kaufdatum.

Betrieb des Generators

1. Lassen Sie den Motor etwa 3 Minuten lang ohne Last warmlaufen.
2. Unser Generator ist mit einem Warnsystem ausgestattet, das einen niedrigen Ölstand anzeigt. Bei niedrigem Öldruck oder Schmierölmangel wird der Motor automatisch abgeschaltet. Der Motor bleibt sofort stehen, wenn Sie ihn erneut starten, ohne Schmieröl nachzufüllen. Ölstand prüfen und nachfüllen
3. Lösen Sie weder die Schraube zur Begrenzung der Motordrehzahl noch die Schraube zur Begrenzung der Kraftstoffeinspritzung (sie sind werkseitig eingestellt) und stellen Sie sie nicht neu ein, da sonst die Leistung und der Kraftstoffverbrauch beeinträchtigt werden.
4. Bei niedrigem Ölstand siehe Warnlampe für niedrigen Ölstand..
5. Wird die empfohlene Ölmenge nicht nachgefüllt, kann dies zu erhöhtem Motorverschleiß und (oder) zu Schäden am Motor führen.

Kontrolle während des Betriebs

1. Irgendwelche abnormalen Geräusche oder Vibrationen?
2. Der Motor zündet nicht richtig oder läuft unrund.
3. Wie sieht die Farbe der Abgase aus? (schwarz oder zu weiß?)

Wenn Sie eines der oben genannten Symptome bemerken, stellen Sie den Motor ab und wenden Sie sich an Ihren nächsten Händler oder an den technischen Kundendienst unter service@bpeholdings.co.uk.

Wechselstrombetrieb

1. Starten Sie den Motor und vergewissern Sie sich, dass die GRÜNE Kontrolllampe leuchtet. Ist dies nicht der Fall, könnte der Glühdraht durchgebrannt sein.
2. Die Drehzahl des Generators muss die Nenndrehzahl erreichen (Hebel nach oben).

3. Der Generator kann belastet werden, wenn das Spannungsmessgerät auf dem Bedienfeld die gewählte Spannung anzeigt. Die Spannungstoleranz kann zwischen +10.
4. Schließen Sie das Gerät an.

WARNUNG

Starten Sie nicht zwei oder mehr Maschinen gleichzeitig. Starten Sie eine nach der anderen. Verwenden Sie Scheinwerfer nicht zusammen mit anderen Geräten.

5. Stellen Sie sicher, dass alle Geräte in einwandfreiem Zustand sind, bevor Sie sie an den Generator anschließen.
6. Wenn ein Gerät oder eine Anlage abnormal läuft, träge wird oder plötzlich stehen bleibt, schalten Sie den Generator sofort aus. Trennen Sie dann das Gerät vom Stromnetz und untersuchen Sie es auf Anzeichen einer Fehlfunktion.
7. Wenn eine Überlastung des Stromkreises den Wechselstromschutz auslöst, reduzieren Sie die elektrische Belastung des Stromkreises und warten Sie einige Minuten, bevor Sie den Betrieb wieder aufnehmen.
8. Wenn die LCD-Anzeige des Spannungsmessers zu niedrig oder zu hoch ist, halten Sie das Gerät an und versuchen Sie, die Ursache des Fehlers zu finden.

Gleichstrombetrieb

Der Gleichstromanschluss darf nur zum Laden von 12V-Autobatterien verwendet werden.

1. Wenn Sie Autobatterien mit Batteriekabeln verwenden, müssen Sie vor dem Laden den Minuspol des Batteriekabels von der Batterie abklemmen.
2. Den Motor starten.
3. Schließen Sie das Ladekabel an die Batterieklemmen und die Gleichstromklemmen des Generators an.

Verbinden Sie den Pluspol der Batterie mit dem Pluspol des Generators. Die Ladekabel dürfen nicht vertauscht werden, da sonst der Generator und/oder der Akku schwer beschädigt werden können.

Achten Sie darauf, dass sich die freien Enden des Kabels nicht berühren. In diesem Fall kommt es zu einem Kurzschluss der Batterie. Wenn ein Akku mit großer Kapazität geladen wird, fließt übermäßig viel Strom (der Wert variiert je nach Entladezustand) und die Sicherung für den Gleichstrom brennt durch.

4. Batterien erzeugen explosive Gase. Vermeiden Sie Funken, Flammen und Zigaretten. Um die Möglichkeit

einer Funkenbildung in der Nähe der Batterie zu vermeiden, schließen Sie die Ladekabel immer zuerst an die Batterie und erst dann an den Generator an. Wenn Sie die Verbindung trennen, sollten Sie zuerst die Kabel am Generator abklemmen.

5. Laden Sie die Batterie an einem gut belüfteten Ort auf. Entfernen Sie vor dem Laden die Kappe von jeder Zelle der Batterie. Brechen Sie den Ladevorgang ab, wenn die Elektrolyttemperatur über 45°C liegt.

WARNUNG

Versuchen Sie nicht, einen Automotor zu starten, während der Generator noch an die Batterie angeschlossen ist.

Verwenden Sie NIEMALS 12-Volt-Gleichstrom und Wechselstrom gleichzeitig.

Stoppen des Generators

1. Schalten Sie den Wechselstromschalter aus.
2. Belassen Sie den Drehzahlhebel in der Position „RUN“ und lassen Sie den Motor ca. 3 Minuten lang ohne Last laufen. Stellen Sie den Motor NICHT plötzlich ab, da dies zu einem abnormalen Temperaturanstieg führen und die Düse beschädigen und den Motor blockieren könnte.
3. Drücken Sie den Stopphebel nach unten oder drehen Sie den Zündschlüssel gegen den Uhrzeigersinn in die Position „OFF“.

WARNUNG

Wenn der Motor weiterläuft, obwohl der Geschwindigkeitshebel in der Position „Stop“ steht, drehen Sie den Zündschlüssel in die Position „OFF“. Versuchen Sie NIEMALS, den Motor mit dem Dekompressionshebel abzustellen (nur „Open Frame“-Typ)

Fernbedienung (falls verfügbar)

Der Generator kann über einen drahtlosen Sender gestartet oder gestoppt werden

1. Sicherstellen, dass der Hebel in der Position „RUN“ steht
2. Lassen Sie den Zündschlüssel in der Position „OFF“ (nicht im Uhrzeigersinn drehen).
3. Um den Motor zu starten, halten Sie den Knopf „A“ am Sender ca. 3-5 Sekunden lang gedrückt.
4. Wenn der Generator nicht startet, wiederholen Sie die Schritte 1 bis 2 und versuchen Sie es erneut.
5. Um den Motor zu stoppen, drücken Sie die Taste „B“ am Sender.

⚠️ WARNUNG

Im Modus „elektrischer Schlüsselstart“: Wenn der Generator abgestellt ist oder nicht benutzt wird, MÜSSEN Sie den Zündschlüssel in die Position „OFF“ drehen, da die Batterie sonst mit der Zeit entladen wird.

⚠️ WARNUNG

Wenn der Generator nach 3 Versuchen nicht anspricht, müssen die Schritte 1 bis 3 WIEDERHOLT und die allgemeine Wartung des Ölstands und des Kraftstoffstands muss überprüft werden.

Erlauben Sie niemals einer anderen Person als dem Besitzer oder Benutzer, den Generator über den Funksender aus der Ferne zu starten oder abzuschalten. Wenn der Generator ständig gestartet und gestoppt wird, werden elektrische/elektronische Komponenten oder Geräte beschädigt und der Verschleiß des Motors erhöht.

Wenn der Generator auch nach mehreren Versuchen nicht anspricht, liegt möglicherweise eine Fehlfunktion oder ein Fehler vor. Wenden Sie sich in diesem Fall an Ihr örtliches Servicezentrum unter service@bpeholdings.co.uk.

⚠️ WARNUNG

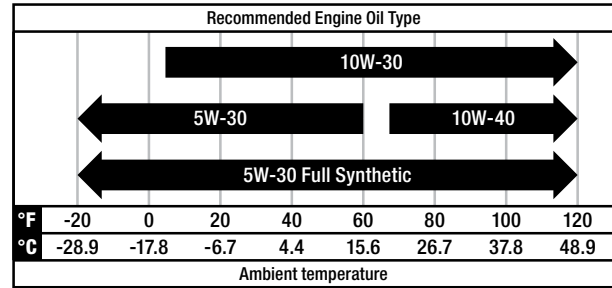
Lassen Sie den Generator NIEMALS länger als 10 Minuten auf maximaler Wattleistung laufen. Dadurch wird der Motor abgewürgt und überhitzt, wodurch Brandgefahr besteht. Stellen Sie den Generator sofort ab und lassen Sie ihn mindestens 30 Minuten lang abkühlen.

WARTUNG

Regelmäßige Kontrolle und Wartung sind sehr wichtig, um den Motor in gutem Zustand zu halten. Bitte lesen Sie für jedes Teil die detaillierte Beschreibung der Bedienungsanleitung.

Stellen Sie den Motor ab, bevor Sie eine Wartung durchführen. Wenn der Motor in Betrieb ist, stellen Sie sicher, dass der Bereich gut belüftet ist. Die Abgase enthalten giftiges Kohlenmonoxidgas.

Reinigen Sie den Motor nach der Benutzung sofort mit einem Tuch, um Korrosion zu verhindern und Ablagerungen zu entfernen.



TÄGLICH

- Ölstand prüfen
- Kraftstoff prüfen und auffüllen
- Auf Ölleckagen prüfen
- Motorteile prüfen und festziehen, wenn sie lose sind

DIE ERSTEN 20 STUNDEN

- Öl wechseln
- Kraftstofftank entleeren
- Ventilspiel für Einlass- und Auslassventile anpassen*
- Einlass- und Auslassventile überdecken*

MONATLICH

- Batterieflüssigkeit prüfen
- Luftfilter prüfen

ALLE 100 STUNDEN ODER ALLE 3 MONATE

- Öl wechseln
- Ölfilter reinigen

ALLE 300 STUNDEN ODER ALLE 6 MONATE


- Kopfschrauben am Motor festziehen*
- Ölfilter ersetzen
- Luftfilter ersetzen
- Kraftstofffilter reinigen
- Kraftstoffeinspritzpumpe prüfen*
- Kraftstoffeinspritzdüse prüfen*
- Kraftstoffleitung prüfen
- Ventilspiel für Einlass- und Auslassventile anpassen*

ALLE 1000 STUNDEN ODER JÄHRLICH

- Kraftstofffilter ersetzen
- Einlass- und Auslassventile überdecken*
- Kolbenringe auswechseln*

DE

ALLE 3 JAHRE

 Kraftstoffleitung ersetzen*.

*Special tools or skills are required - please do not attempt yourself - consult Technical Support on service@bpeholdings.co.uk. Charges may apply..

Wechsel des Motoröls (alle 100 Stunden)

Den Öleinfülldeckel entfernen. Die Ablassschraube entfernen und das Altöl ablassen, während der Motor noch warm ist. Die Ölablassschraube befindet sich an der Unterseite des Motorblocks neben dem Ölfilter. Ziehen Sie die Ablassschraube fest und füllen Sie das empfohlene Öl 10W30 (nicht oder teilsynthetisch) nach.

Reinigung des Ölfilters (alle 300 Stunden)

Lösen Sie die 10-mm-Schraube und entfernen Sie den Ölfilter (er befindet sich unten am Motorblock neben der Ölablassschraube). Mit Wasser oder Benzin reinigen und KEINE Reinigungsmittel verwenden.

Auswechseln des Luftfilterelements (alle 300 Stunden)

Waschen Sie das Luftfilterelement nicht mit Reinigungsmitteln, da es sich um ein Trockenelement handelt, sondern verwenden Sie Wasser oder Benzin. Lassen Sie es vollständig trocknen, bevor Sie es wieder einsetzen.

 WARNUNG

Starten Sie den Motor niemals ohne das Element oder mit einem defekten Element. Wechseln Sie das Element rechtzeitig.

Reinigen und Ersetzen des Kraftstofffilters (alle 300 Stunden)

Auch der Kraftstofffilter muss regelmäßig gereinigt werden, damit der Motor optimal funktioniert.

1. Lassen Sie den Kraftstoff (Diesel) aus dem Kraftstofftank ab.
2. Lösen Sie die kleinen Clips an den Schläuchen. Entfernen Sie den Kraftstofffilter und waschen Sie ihn gründlich (NUR) mit Dieseldieselkraftstoff. Die Sicherungsmutter, die Endkappe und die Diffusorscheiben entfernen und die Kohlenstoffablagerungen reinigen.
3. Wenn Sie Diesel mit Farbstoff verwenden, MÜSSEN Sie die Filter alle 100 Stunden oder nach 1 Monat wechseln. Das Kraftstoffeinspritzsystem MUSS alle 300 Stunden gereinigt werden.

Prüfen und Auffüllen der Batterieflüssigkeit und Laden der Batterie (monatlich)

Dieser Dieselmotor verwendet eine 12-V-Batterie. Die Batterieflüssigkeit geht durch ständiges Laden und Entladen verloren.

Die Batterie vor dem Start auf physische Schäden und ebenfalls den Elektrolytstand prüfen und gegebenenfalls destilliertes Wasser bis zur oberen Markierung nachfüllen. Ersetzen Sie die Batterie sofort, wenn Sie einen Schaden feststellen. Für die Batterien gilt eine Garantie von 12 Monaten ab dem Kaufdatum.

LAGERUNG

Wenn Sie Ihren Generator für längere Zeit einlagern möchten, sollten Sie folgende Vorbereitungen treffen.

1. Lassen Sie den Dieselmotor etwa 10 Minuten ohne Last laufen und schalten Sie ihn dann ab.
2. Warten Sie ca. 10 Minuten und, wenn der Motor noch warm ist, lassen Sie das Motoröl ab und füllen Sie neues 10W30 Motoröl nach.
3. Ziehen Sie den roten Stopfen an der Zylinderkopfhaube des Dieselmotors heraus und fügen Sie 2 ml Schmieröl in den Zylinder ein. Stecken Sie den roten Stopfen danach wieder an seinen ursprünglichen Platz.
4. Beibehaltung der Startposition
 - Manueller Start (nur „Open Frame“-Typ) Den Hebel auf die Position „RUN“ stellen
 - Den roten Griff zur Druckreduzierung (Position ohne Kompression) drücken, den Rückstoßgriff 2-3 Mal ziehen. (Den Dieselmotor nicht starten).

FEHLERSUCHE

Problem	Ursache	Lösung
Motor startet nicht	Kein Kraftstoff	Kraftstoff auffüllen.
	Der Schalter ist nicht in der Position „ON“.	In die Position „ON“ drehen.
	Hochdruck-Kraftstoffpumpe, Einspritzdüse kann nicht einspritzen oder die Kraftstoffmenge ist unzureichend.	Die Einspritzdüse herausnehmen und reparieren oder das Einspritzsystem entlüften.
	Der Geschwindigkeitshebel ist nicht in der Position „RUN“.	Stellen Sie den Regler in die Position „RUN“.
	Ölstand prüfen	Bei Bedarf Öl hinzufügen
	Die Geschwindigkeit und Kraft zum Ziehen des Anreißstarters reichen nicht aus	Den Dieselmotor gemäß den Anforderungen des Betriebsverfahrens starten
	Die Einspritzdüse ist verschmutzt oder verstopft	Einspritzdüse reinigen oder ersetzen
	Die Batterie ist leer	Aufladen oder ersetzen
Der Motor lässt sich mit der Fernbedienung nicht starten.	Der Zündschlüssel ist nicht in der Position „ON“	Überprüfen Sie die Schritte 1 bis 3 in der RC-Anleitung
	Hebel nicht in Position „RUN“	Überprüfen Sie die Schritte 1 bis 3 in der RC-Anleitung
	Öl- oder Kraftstoffpegel niedrig	Bei Bedarf Öl oder Kraftstoff nachfüllen
Der Motor läuft, aber keine Leistung	Der Wechselstromschalter ist ausgeschaltet	Stellen Sie den Wechselstromhauptschalter auf die Position „ON“
	Der Kontakt der Steckdose ist mangelhaft	Die Füße der Steckdose anpassen
	Die Nenndrehzahl des Generators kann nicht erreicht werden	Den Drehzahlregler entsprechend den Anforderungen einstellen
	Sonstiges	Technischer Support kontaktieren service@bpeholdings.co.uk .

HINWEIS: Wenn Sie beim Schweißen feststellen, dass der Strom für das Schweißgerät zu stark ist oder der Motor durch Überlastung während des Schweißens abgeschaltet wird, kann dies zu einer Beschädigung oder einem Kurzschluss des AVR-Reglers führen.

GARANTIE

Wir von Warrior wissen, wie wichtig die Garantie bei Service und Reparatur ist. Deshalb bieten wir Ihnen jetzt standardmäßig eine 2-Jahres-Garantie (Warrior Dieselgeneratoren) an, ohne dass Sie Ihren Kauf registrieren müssen. Wir bieten weiterhin die Möglichkeit der Produktregistrierung für Kunden, welche die Website nutzen und mit uns in Kontakt bleiben möchten.

Beachten Sie bitte die unten stehenden Einschränkungen und lesen Sie die vollständigen AGBs über die für ein bestimmtes Produkt angebotene Garantie.

Alles, was Sie benötigen, ist entweder eine Kopie des Original-Kaufbelegs oder eine Rechnung des Händlers, die zum Zeitpunkt des Kaufs ausgestellt wurde, um den Anspruch geltend machen zu können. Bewahren Sie bitte Ihren Kaufbeleg für die gesamte Vertragsdauer auf. Sollten Sie unseren technischen Support benötigen, werden wir diesen bei jeder Beanstandung verlangen. Ohne Kaufbeleg wird jeder Garantieanspruch verzögert oder abgelehnt.

Reparatur-/Ersatzgarantie

Dieselgeneratoren von Warrior garantieren dem ursprünglichen Käufer für einen Zeitraum von bis zu 2 Jahren bei privater Nutzung, dass die mechanischen und elektrischen Komponenten für einen Zeitraum von einem Jahr (1) [Teile und Arbeit] zwei Jahren (2) [nur Teile] ab dem Kaufdatum oder 1000 Stunden, je nachdem, was zuerst eintritt, frei von Material- und Verarbeitungsfehlern sind.

Industrielle und kommerzielle Nutzung Ein Jahr (1) [Teile und Arbeit] oder 500 Stunden, je nachdem, was zuerst eintritt.

Die Transportkosten für ein Produkt, das im Rahmen dieser Garantie zur Reparatur oder zum Austausch eingereicht wird, gehen vollständig zu Lasten des Käufers. Diese Garantie gilt nur für den ursprünglichen Käufer und ist nicht übertragbar.

Bringen Sie das Gerät nicht an die Verkaufsstelle zurück

Wenden Sie sich an den technischen Kundendienst von Warrior und wir kümmern uns telefonisch oder per E-Mail um alle Probleme. Wenn das Problem auf diese Weise nicht behoben werden kann, wird Warrior nach eigenem Ermessen die Bewertung, die Reparatur oder den Austausch des defekten Teils oder der Komponente in unserem eigenen Servicecenter veranlassen. Wenn ein Produkt ersetzt werden muss, wird es auf einer gleichwertigen Basis ersetzt und nicht gemäß der Alt-für-neu-Regelung. Warrior teilt Ihnen eine Fallnummer für den Garantieservice mit, die Sie über Ihr Login-Konto überwachen können. Bitte bewahren Sie sie als Referenz für später auf. Reparaturen oder Ersatz ohne vorherige Genehmigung oder in einer nicht autorisierten Reparaturwerkstatt werden von dieser Garantie nicht abgedeckt. Für Kunden außerhalb Großbritanniens schließen wir die Garantie aus. Bitte lesen Sie unsere vollständigen AGBs.

Garantieausschlüsse

Diese Garantie deckt Folgendes NICHT ab:

Normale Abnutzung

Damit Ihr Produkt einwandfrei funktioniert, sind regelmäßig Ersatzteile und Wartung erforderlich. Diese Garantie deckt keine Reparaturen ab, wenn die Lebensdauer eines Teils oder des gesamten Geräts durch normalen Gebrauch abgelaufen ist.

Installation, Verwendung und Wartung

Diese Garantie gilt nicht für Teile oder Arbeitsleistungen, wenn Ihr Produkt falsch verwendet, nicht fachgerecht behandelt, in einen Unfall verwickelt, missbräuchlich verwendet, über die Belastungsgrenzen des Generators hinaus überlastet, modifiziert, unsachgemäß installiert oder falsch an eine elektrische Komponente oder ein System angeschlossen wurde. Normale Wartungsarbeiten sind nicht durch diese Garantie abgedeckt.

Weitere Ausschlüsse

Diese Garantie schließt Folgendes aus:

- kosmetische Mängel wie Farbe, Aufkleber usw.
- verschlissene Teile wie Kolben und Ringe, Zündkerzen, Filter
- Zubehörteile, einschließlich Räder und Antriebsbeinheiten
- Ausfälle aufgrund höherer Gewalt und anderer Ereignisse, die außerhalb der Kontrolle des Herstellers liegen
- Probleme, die durch Teile verursacht werden, die keine Originalteile von Warrior Power Equipment sind
- Änderungen oder Modifikationen, die von einer anderen Partei als dem Hersteller vorgenommen wurden, einschließlich Abgasverlängerung und Filtersysteme
- alle Schläuche aus Kunststoff oder Gummi, Reduzierventile und Druckregler
- elektrische Geräte von Dritten

12-V-Batterie

- Alle gelieferten Batterien, die über 1 Jahr alt sind

Geeigneter Transferschalter

Alle MTS-Systeme (Manual Transfer) und ATS-Systeme (Automatic Transfer), die nicht von uns unter WARRIOR oder Warrior angeboten werden, werden nicht als geeignet angesehen und haben zur Folge, dass alle Garantien erlöschen. Bitte kontaktieren Sie uns direkt, bevor Sie ein Transfersystem installieren.

Grenzen der impliziten Garantie und Folgeschäden

Winch Solutions Ltd (CG) lehnt jegliche Verpflichtung zur Deckung von Zeitverlusten, der Nutzung dieses Produkts, von Frachtkosten oder von Kosten für Neben- oder Folgeschäden ab, die durch die Verwendung dieses Produkts entstehen.

DIESE GARANTIE ERSETZT ALLE ANDEREN AUSDRÜCKLICHEN ODER IMPLIZITEN GARANTIEEN, EINSCHLIESSLICH DER GARANTIE DER MARKTGÄNGIGKEIT ODER DER EIGNUNG FÜR EINEN BESTIMMTEN ZWECK.

Für ein Gerät, das im Rahmen eines Austauschs geliefert wird, gilt die Garantie des Originalgeräts. Die Dauer der Garantie für das ausgetauschte Gerät wird weiterhin unter Bezugnahme auf das Kaufdatum des Originalgeräts berechnet. Im Rahmen dieser Garantie besitzen Sie bestimmte gesetzliche Rechte, die sich von Land zu Land unterscheiden können. In Ihrem Land gelten möglicherweise auch andere Rechte, die in dieser Garantie nicht aufgeführt sind.

INTRODUCTION

Nous vous remercions d'avoir acheté notre produit.

Ce produit est garanti contre les défauts de fabrication pour une période de 24 mois ou 1 000 heures de fonctionnement à compter de la date d'achat. Merci de conserver votre reçu comme preuve d'achat. Les conditions générales complètes se trouvent sur la page de garantie de ce manuel ou sur notre site web www.championpowerequipment.co.uk

La présente garantie sera invalide s'il est constaté que le produit a été utilisé d'une mauvaise manière ou modifié/altéré de quelque façon que ce soit, ou s'il n'a pas été utilisé dans l'application/le but prévu(e). **Les biens défectueux ne doivent pas être retournés au lieu d'achat.** Le générateur doit être retourné au fournisseur du produit. Aucun produit ne peut être retourné sans autorisation préalable. Les frais de retour des générateurs sont à la charge exclusive de l'utilisateur/du propriétaire. La présente garantie n'affecte pas vos droits statutaires.

Si vous contactez WPE concernant des pièces de rechange et/ou un entretien, vous devrez fournir les numéros de modèle et de série complets de votre produit. Retranscrivez les informations indiquées sur l'étiquette signalétique de votre produit dans le tableau ci-dessous.

ÉQUIPE D'ASSISTANCE TECHNIQUE WPE
NUMÉRO DU MODÈLE
NUMÉRO DE SÉRIE
DATE D'ACHAT
LIEU D'ACHAT

⚠ IMPORTANT

1. Les enfants doivent être tenus à une distance sécurisée du générateur et ne JAMAIS être autorisés à le faire fonctionner.
2. Votre nouveau générateur a besoin d'une période de rodage d'environ 10-20 heures avec PAS PLUS DE 75 % de la charge maximum appliquée. Après les 20 premières heures, l'huile DOIT être changée. Le type d'huile recommandé est de la 10W30 partiellement ou entièrement synthétique. Vous trouverez d'autres types d'huile dans le tableau des huiles, plus loin dans le manuel, à la section Entretien. Ne touchez pas le moteur ni le silencieux lors le générateur fonctionne. Faites attention aux autocollants d'avertissement et de précaution sur le générateur.
3. L'équipement électrique (y compris le câble et le composant de connexion de la fiche) doit être en bon état avant de démarrer et inspecté avant l'utilisation.
4. En cas de remplacement du disjoncteur, celui-ci doit être d'une spécification équivalente ou supérieure à celui retiré.
5. En raison du stress mécanique élevé, il est recommandé de n'utiliser que des câbles à gaine en caoutchouc.
6. Lors de l'utilisation de rallonges ou d'une armoire de distribution mobile, le fil de section de 1,5 mm² ne doit pas dépasser 50 m de long. En ce qui concerne le fil de section de 2,5 mm², celui-ci ne doit pas dépasser 100 m de long.
7. En cas de démarrage manuel, utilisez toujours le levier de décompression. (UNIQUEMENT sur le type à cadre ouvert)
8. Dans des conditions ambiantes de fonctionnement standard (-5 à 40 degrés centigrades), le générateur peut être utilisé à des charges de fonctionnement normales. Si les conditions de fonctionnement ne sont pas normales, qu'elles soient trop élevées ou trop faibles, le générateur doit fonctionner à une puissance inférieure, ne dépassant pas 75 % de la charge maximale. Lorsque la température, l'altitude et l'humidité sont supérieures aux conditions de fonctionnement standard, le générateur DOIT réduire la charge de sortie à un maximum de 75 % de la charge maximale.
9. Avant toute inspection ou entretien du générateur, le moteur doit être arrêté. Laissez-le refroidir pendant au moins 30 minutes. Vérifiez et entretenez le générateur conformément au tableau des périodes et à la fiche de calendrier du manuel.
10. À l'exception de l'entretien ou du nettoyage quotidien, toute inspection ou tout réajustement doit être effectué par une personne professionnelle autorisée et se procurer les composants d'origine requis auprès du fournisseur. (Contactez vos revendeurs locaux).
11. Votre machine nouvellement révisée doit subir une période de rodage d'au moins 10 heures, le rendement ne devant pas dépasser 75 % de la charge maximale.

CARACTÉRISTIQUES

Le générateur Diesel WPE possède les caractéristiques suivantes :

Cette série de générateurs diesel possède un moteur diesel à injection directe à 4 rayons, refroidi par air, de type super léger, et dispose de deux options de démarrage :

1. Démarrage par cordon de recul
2. Démarrage électrique

Ce produit est équipé d'un réservoir de carburant de grande capacité, d'un protecteur de circuit, de sorties en courant alternatif et parfois en courant continu, d'une alarme de basse pression d'huile et d'un dispositif d'arrêt automatique.

Le générateur diesel sert d'alimentation de secours dans de nombreuses applications différentes, notamment sur les chantiers ouverts, dans la construction et pour l'armée de terrain. Alimentation de secours pour les fermes avicoles, les pêcheries, les forêts, les jardins, les hôtels, les magasins et les bureaux.

Ce manuel d'utilisation vous explique comment utiliser et entretenir votre nouveau générateur diesel. Veuillez le lire avant d'utiliser le générateur diesel afin de garantir une manipulation et un fonctionnement corrects. Le respect de ces instructions vous permettra de maintenir votre générateur diesel dans les meilleures conditions de fonctionnement et de prolonger sa durée de vie.

En cas de questions concernant votre nouveau produit ou l'une des informations données dans ce manuel, veuillez contacter service@bpeholdings.co.uk.

PARAMÈTRES

Les générateurs peuvent générer la puissance spécifiée lorsqu'ils sont utilisés dans les conditions suivantes :

Altitude : < 1 000 m
Température ambiante : 5 à 40°C
Humidité relative : <90 %

AVERTISSEMENT

Les échappements/silencieux et les gaz sont très chauds au toucher. N'ajoutez PAS ou n'installez PAS d'extensions d'échappement/de silencieux, vous annulez ainsi toute garantie offerte.

Éviter les brûlures

Ne touchez ou ne manipulez JAMAIS l'échappement/le silencieux et le moteur lorsque le générateur est en marche ou chaud. Laissez toujours environ 30 minutes pour que l'échappement/le silencieux et le moteur refroidissent avant de les manipuler.

IMPORTANT

Veuillez lire et comprendre ce manuel d'utilisation afin d'assurer une utilisation en toute sécurité. Accordez une grande attention aux principaux points d'utilisation suivants, faute de quoi vous risqueriez de vous blesser et d'endommager l'équipement.

Prévenir les incendies

Le carburant de ce moteur diesel est du carburant diesel léger, donc de l'essence, du kérosène ou du biodiesel, etc. ne doivent JAMAIS être utilisés. Le diesel avec des colorants n'est pas recommandé et s'il est utilisé, un entretien mensuel est fortement recommandé, sinon cela entraînera une dégradation des performances du moteur et (ou) des dommages au moteur.

Le carburant de ce moteur diesel est du diesel léger. Il ne faut donc JAMAIS utiliser d'essence, de kérosène ou de biodiesel.

Essuyez tous les déversements de carburant avec un chiffon propre. Gardez l'essence, le kérosène, les allumettes et autres explosifs et substances inflammables à l'écart du générateur, car la température autour du silencieux d'échappement est très élevée pendant le fonctionnement. Pour éviter les risques d'incendie et assurer une ventilation adéquate, maintenez le générateur à une distance d'au moins 1,5 m des bâtiments, structures et autres équipements pendant son fonctionnement.

Faites fonctionner le générateur sur une surface plane et horizontale. Il est possible qu'il y ait des fuites de carburant ou un mauvais fonctionnement si le générateur est incliné.

AVERTISSEMENT

NE JAMAIS faire fonctionner la génératrice sur MAX watts pendant plus de dix (10) minutes, ce faisant, vous feriez surchauffer le moteur puis caler ; risquer un incendie. Si cela se produit, arrêtez immédiatement le générateur et laissez-le refroidir pendant au moins 30 minutes..

Éviter l'inhalation des gaz d'échappement

Les gaz d'échappement contiennent du monoxyde de carbone toxique. Utilisez toujours le générateur en extérieur, à une distance minimale de 1,5 m de toute fenêtre, porte ou ouverture.

Les générateurs ne DOIVENT jamais être utilisés en intérieur, dans les garages, les cabines, les bâtiments extérieurs, les hangars ou tout autre espace confiné, y compris les véhicules et les compartiments de véhicules.

Chocs électriques, courts-circuits

Afin d'éviter les chocs électriques ou les courts-circuits, ne touchez pas le générateur lorsque celui-ci est mouillé ou que vos mains sont mouillées.

Ce générateur n'est pas étanche, il ne doit donc JAMAIS être utilisé dans un endroit exposé à la pluie, à la neige ou aux projections d'eau. Le générateur doit être mis à la terre pour éviter les chocs électriques. Veuillez connecter une longueur de fil lourd entre la borne de terre du générateur et un dispositif de mise à la terre externe, une tige de terre ou un piquet, d'une profondeur minimale de 200 mm.

Ne connectez aucun équipement au générateur avant de le démarrer.

⚠ AVERTISSEMENT

La plupart des moteurs d'appareils ménagers ont besoin d'une puissance supérieure à leur puissance nominale pour démarrer. Ne dépassez pas la limite de courant spécifiée pour une seule prise. Ne surchargez JAMAIS le générateur et ne le faites pas fonctionner pendant de longues périodes à la puissance maximum. Si le générateur montre des signes de surchauffe, ARRÊTEZ-LE immédiatement. Laissez-le refroidir pendant au moins 30 minutes.

Charger la batterie

L'électrolyte de la batterie contient de l'acide sulfurique. Protégez vos yeux, votre peau et vos vêtements. En cas de contact, rincez abondamment à l'eau et consultez rapidement un médecin, surtout si vos yeux sont touchés.

Les batteries génèrent de l'hydrogène gazeux, qui peut provoquer des flammes ou des étincelles à proximité d'une batterie, notamment pendant la charge.

Chargez la batterie dans un endroit bien ventilé.

⚠ AVERTISSEMENT

Vous devez savoir comment arrêter rapidement le générateur et comprendre comment utiliser toutes les commandes. Ne laissez jamais quiconque faire fonctionner le générateur sans instruction appropriée.

Portez toujours un casque, des chaussures de sécurité et des vêtements appropriés. Gardez les animaux domestiques et les enfants à l'écart du générateur lorsqu'il fonctionne.

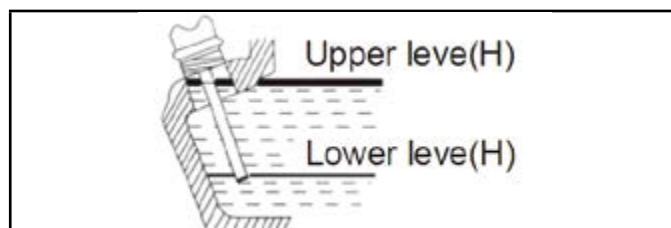
PRÉPARATION AVANT LE DÉMARRAGE

Sélection et manipulation du carburant

- Seul du carburant diesel léger peut être utilisé.
- Le carburant doit être filtré.
- Le carburant doit être exempt d'eau ou de poussière car ceux-ci peuvent contaminer le système d'injection de carburant.
- Ne remplissez pas le réservoir au-delà du bouchon rouge situé à l'intérieur du filtre du réservoir de carburant. Utilisez la jauge de carburant située sur le dessus du réservoir.
- Ne fumez pas et ne laissez pas d'étincelles dans la zone où le moteur est ravitaillé en carburant ou où le carburant est stocké.
- Ne renversez pas de carburant lorsque vous faites le plein, assurez-vous que le bouchon du filtre est bien fermé.

Sélection et manipulation de l'huile

- Placez le générateur sur une surface de niveau.
- Remplissez l'huile moteur dans l'orifice d'admission.
- Pour vérifier le niveau d'huile, il suffit de plonger la jauge dans le carter. Ne vissez pas la jauge lors du contrôle.



🗨 REMARQUE

Rien n'affecte plus les performances et la durabilité du générateur que l'huile que vous utilisez. Si vous utilisez une huile de qualité médiocre ou si l'huile de votre moteur n'est pas changée régulièrement, le risque de grippage du piston, de collage des segments et d'usure accélérée de la chemise de cylindre, des roulements et des autres composants mobiles augmente considérablement.

- Veillez à vérifier le niveau d'huile et à remplir d'huile jusqu'au niveau spécifié avant de démarrer le générateur, même s'il est équipé d'un système d'avertissement de basse pression d'huile.
- Si votre générateur ne démarre pas à la 5^e tentative ou s'il démarre et s'éteint, votre niveau d'huile est trop bas et doit être complété.

REMARQUE

L'huile doit être changée après les 10 premières heures (ou 1 mois) d'utilisation, puis tous les 3 mois ou 100 heures d'utilisation.

Vidangez toujours l'huile lorsque le moteur est tiède mais pas chaud. Il est difficile de vidanger complètement l'huile après le refroidissement.

En règle générale, l'huile est pleine lorsqu'elle peut être vue sur les filets médians et supérieurs de l'orifice. Ne remplissez pas de manière excessive, sinon les performances du moteur s'en trouveront dégradées et le moteur pourrait être endommagé.

AVERTISSEMENT

N'ajoutez JAMAIS d'huile ou n'essayez pas de changer l'huile dans le générateur pendant que le moteur tourne.

Vérifier le filtre à air

- Desserrez l'écrou à ailettes, retirez le couvercle du filtre à air et retirez l'élément. Ne lavez pas l'élément du filtre à air avec du détergent. Utilisez de l'eau ou de l'essence (vous DEVEZ impérativement les laisser sécher avant de procéder au remplacement).
- L'élément du filtre à air doit être remplacé lorsque le rendement du moteur diminue ou que la couleur des gaz d'échappement est anormale.
- Ne faites jamais fonctionner le générateur sans l'élément du filtre à air. Cela peut provoquer une usure rapide du moteur.
- Remettez en place le couvercle du filtre à air et serrez l'écrou à ailettes.

Veiller à une absence de charge sur le générateur

- Coupez le disjoncteur principal et toute autre charge.
- Assurez-vous de couper le disjoncteur principal avant de démarrer le générateur. Si l'interrupteur n'est pas sur la position « Éteint », l'application soudaine de la charge peut être très dangereuse, lorsque le moteur diesel est démarré.
- Le générateur doit être mis à la terre pour éviter les chocs électriques. (Recommandé).

Manipulation d'un générateur à double tension

- Fonctionnement du commutateur : Le disjoncteur CA du panneau de commande doit être réglé sur la position « Éteint » avant de faire fonctionner la

machine. Après avoir démarré le générateur, laissez la vitesse atteindre le régime nominal, puis mettez le disjoncteur CA en position « Allumé », afin que les prises de courant puissent être utilisées pour l'équipement d'exploitation.

- N'essayez JAMAIS de passer d'une tension à l'autre lorsque le disjoncteur CA est sur Allumé et que l'équipement est branché.
- Placez le disjoncteur principal CA sur la position « Éteint » lorsque vous utilisez l'alimentation 12 V CC.

Vérifier la présence d'une poche d'air**AVERTISSEMENT**

Le CARBURANT et l'HUILE du moteur sont vidés en usine avant le transport. Les générateurs sont à sec pour le stockage.

- Vérifiez la présence d'une poche d'air dans la canalisation de carburant et déterminez si de l'air est mélangé dans la canalisation. Si c'est le cas, évacuez l'air de la canalisation avant de faire le plein et de démarrer le moteur diesel.
- Le filtre à carburant doit être rempli à 75 % au minimum. Si ce n'est pas le cas, de l'air peut être présent dans le système.
- La méthode de démontage consiste à desserrer l'écrou du presse-étoupe de 17 mm entre la pompe d'injection et la conduite en laiton haute pression, à mettre le levier de marche en position « Fonctionnement » et à faire tourner le moteur jusqu'à ce que le carburant commence à sortir.
- Remplacez et resserrez le presse-étoupe de 17 mm. Répétez le processus si le moteur ne démarre toujours pas.

FONCTIONNEMENT**Fonction de préchauffage**

Ce générateur est équipé d'une fonction de bouton de préchauffage pour les températures froides inférieures à 0 ° C, cette fonction est conçue pour réchauffer le moteur et l'huile en premier en utilisant l'alimentation 12 V DC fournie par la batterie avant que le moteur ne soit lancé.

Si la température extérieure est inférieure à 0°C, il est recommandé d'utiliser d'abord le bouton de fonction de préchauffage avant de démarrer le moteur.

1. Tournez la clé de contact sur la position "ON"
2. Appuyez sur le bouton de préchauffage et maintenez-le enfoncé pendant au moins 5 secondes

jusqu'à ce que le voyant d'éclairage rouge fixe apparaisse

3. Relâchez le bouton et démarrez le générateur normalement à l'aide de la clé ou de la télécommande (modèles à télécommande sans fil uniquement)

Si le générateur ne démarre pas, répétez les étapes 1 à 3 au maximum 3 fois seulement, si le générateur ne démarre pas après 3 tentatives, contactez votre agent de service local.

Système d'avertissement de faible niveau d'huile

- Le dispositif permet d'arrêter automatiquement le moteur lorsque la pression d'huile tombe en dessous du niveau réglementaire. Il empêche le moteur de gripper lorsque l'huile moteur est basse ou que la pression du moteur diminue.
- La température de l'huile augmente fortement si le moteur est utilisé avec une quantité insuffisante d'huile moteur. D'autre part, un excès d'huile est dangereux. L'huile peut brûler et provoquer une augmentation soudaine et excessive du régime du moteur. Avant d'utiliser la machine, veillez à contrôler chaque jour l'huile et à la remplir jusqu'au niveau spécifié si nécessaire.

Voyant d'avertissement de bas niveau d'huile

Votre génératrice est équipée d'un voyant d'avertissement de bas niveau d'huile.

Si le voyant s'allume en «rouge continu», votre générateur nécessite l'ajout immédiat d'huile.

1. Arrêtez immédiatement l'application, coupez le moteur et laissez refroidir pendant environ 10 à 15 minutes.
2. Retirez la jauge de niveau d'huile et nettoyez-la.
3. Ajoutez de l'huile à l'aide d'un entonnoir à huile (non fourni) et vérifiez à l'aide de la jauge de niveau d'huile (en règle générale, l'huile est pleine lorsqu'elle est visuellement visible sur les filetages médian/supérieur de l'orifice). Si vous utilisez la jauge d'huile, ne JAMAIS visser la jauge de niveau d'huile pour prendre une lecture, reposez-vous simplement contre le haut du port et regardez la lecture.
4. Revisser la jauge de niveau d'huile
5. Faites tourner le moteur pendant 10 minutes sans aucune charge en permettant à l'huile de circuler complètement.
6. Vérifiez à nouveau le niveau d'huile

Le non-ajout de la capacité d'huile recommandée peut entraîner une usure accrue du moteur et (ou) des dommages au moteur.

Ouvrir la porte et le couvercle de l'armoire

Ouvrez la porte de l'armoire, relevez-la et vérifiez-la quotidiennement.

1. Tournez la poignée dans le sens inverse des aiguilles d'une montre pour ouvrir la porte de l'armoire.
2. Tournez la poignée dans le sens des aiguilles d'une montre pour verrouiller la porte de l'armoire.

Opération de rodage

Tant que votre générateur est encore neuf, l'application de charges lourdes peut réduire la durée de vie du moteur. Suivez les procédures de rodage pendant les 20 premières heures.

1. Évitez d'appliquer une charge lourde pendant la période de rodage.
2. Changez régulièrement l'huile moteur. Changez l'huile moteur toutes les 20 heures ou un mois après la première utilisation, et tous les 3 mois ou 100 heures par la suite.
3. En cas d'utilisation par temps chaud ou en cas de fortes charges, changez l'huile toutes les 100 heures ou tous les mois.

Démarrage du générateur

Démarrage par cordon de recul (type cadre ouvert uniquement)

1. Ouvrez la vanne de carburant (sur la position « Ouvert »).
2. Placez le levier de vitesse du moteur sur la position « Fonctionnement ».
3. Tirez sur la poignée de démarrage par recul.
4. Tirez sur la poignée jusqu'à ce que vous sentiez une forte résistance, puis remettez-la en position initiale.
5. Poussez le levier de décompression vers le bas. (Il revient automatiquement lorsque le démarreur à recul est tiré).
6. Tirez énergiquement la poignée de démarrage à recul avec les deux mains.
7. Ne laissez pas la poignée cogner sur le moteur. Remettez-la doucement en place pour éviter d'endommager le démarreur.

⚠️ AVERTISSEMENT

Ne tirez JAMAIS ou ne touchez JAMAIS le cordon de recul lorsque le moteur diesel est en marche, sous peine d'endommager le moteur. (type cadre ouvert uniquement)

8. Par temps froid, lorsque le moteur diesel est difficile à démarrer, retirez le bouchon rouge du couvercle du culbuteur et ajoutez 2 cc d'huile moteur.
9. Remettez le bouchon rouge en place avant de commencer.
10. Gardez toujours le bouchon rouge dans le couvercle sauf lorsque vous ajoutez de l'huile, sinon la pluie, la saleté et d'autres contaminants peuvent pénétrer dans le moteur et causer une usure accélérée des pièces internes du moteur. Cela peut à son tour provoquer de graves problèmes de moteur.

Démarrage électrique

1. Tournez la clé de contact dans le sens des aiguilles d'une montre sur la position « Allumé ».
2. Placez le levier de vitesse du moteur sur la position « Fonctionnement ».
3. Tournez la clé de contact dans le sens des aiguilles d'une montre sur la position « Démarrer ».
4. Relâchez la clé dès que le moteur démarre et laissez la clé revenir automatiquement à la position initiale « Allumé ».
5. Pour le démarrage par temps froid, reportez-vous à la fonction de préchauffage
6. Si le démarreur ne s'engage pas et ne fait pas tourner le moteur après 10 secondes, attendez environ 30 secondes avant d'essayer à nouveau de démarrer et de répéter ce processus.

⚠️ AVERTISSEMENT

Veuillez noter : Ne maintenez JAMAIS la clé en position de démarrage pendant plus de 10 secondes. Relâchez-la et réessayez si le moteur ne démarre pas du premier coup. Le démarreur risque sinon d'être endommagé.

Si le démarreur du moteur tourne trop longtemps, la batterie se décharge et le générateur ne démarre pas (type Canopy).

Batterie

Vérifiez le niveau de liquide de la batterie une fois par mois. Lorsque le niveau descend sous le repère inférieur, remplissez d'eau distillée jusqu'au repère supérieur.

Si le liquide de la batterie est faible, il est possible que le moteur ne démarre pas parce qu'une quantité

insuffisante d'électricité atteint le démarreur. Maintenez toujours le niveau de liquide entre le niveau supérieur et le niveau inférieur.

Si une trop grande quantité de liquide de batterie est versée, le liquide peut se répandre et corroder les pièces environnantes. NE remplissez PAS de manière excessive.

Les batteries ne sont couvertes que par une garantie de 1 an à compter de la date d'achat initiale.

Fonctionnement du générateur

1. Faites chauffer le moteur sans charge pendant environ 3 minutes.
2. Notre générateur est équipé d'un système d'avertissement de faible niveau d'huile. Le moteur s'arrête automatiquement en cas de faible pression d'huile faible ou de manque d'huile de lubrification. Le moteur s'arrêtera immédiatement s'il est redémarré sans un remplissage d'huile de lubrification. Vérifiez le niveau d'huile et remplissez
3. Ne desserrez pas ou ne réajustez pas le boulon de limitation du régime moteur ou le boulon de limitation de l'injection de carburant (ils ont été réglés en usine). Les performances et l'économie de carburant en seront sinon affectées.
4. Pour un niveau d'huile bas, reportez-vous au témoin d'avertissement de bas niveau d'huile..
5. Le non-ajout de la capacité d'huile recommandée peut entraîner une usure accrue du moteur et (ou) des dommages au moteur..

Vérification pendant le fonctionnement

1. Vous entendez un son ou une vibration anormale ?
2. Le moteur a des ratés ou fonctionne mal.
3. De quelle couleur sont les gaz d'échappement ? (Sont-ils noirs ou trop blancs ?)

Si vous constatez l'un des phénomènes ci-dessus, arrêtez le moteur et consultez votre revendeur le plus proche ou contactez l'assistance technique au service@bpeholdings.co.uk.

Fonctionnement CA

1. Démarrez le moteur et veillez à ce que le témoin « Vert » s'allume. Si ce n'est pas le cas, le filament a peut-être brûlé.
2. La vitesse du générateur doit atteindre la vitesse nominale (levier en haut).
3. La charge peut être ajoutée au générateur lorsque le voltmètre indicateur sur le panneau indique la tension sélectionnée. La tolérance de tension peut varier entre +10.
4. Branchez l'appareil.

⚠ AVERTISSEMENT

Ne démarrez pas deux machines ou plus simultanément. Démarrez-les une par une. N'utilisez pas les projecteurs avec d'autres machines.

- Assurez-vous que toutes les pièces d'équipement sont en bon état de fonctionnement avant de les connecter au générateur.
- Si un appareil ou une pièce d'équipement commence à fonctionner anormalement, devient lent(e) ou s'arrête soudainement, éteignez immédiatement le générateur. Débranchez alors l'appareil et examinez-le pour détecter tout signe de dysfonctionnement.
- Si la surcharge du circuit déclenche le protecteur de circuit CA, réduisez la charge électrique sur le circuit. Attendez quelques minutes avant de reprendre le fonctionnement.
- Si le voltmètre affiché à l'écran LCD est trop faible ou trop élevé, arrêtez la machine et examinez-la pour trouver la cause du défaut.

Fonctionnement CC

La borne CC ne peut être utilisée que pour charger des batteries de type automobile de 12 V.

- Lorsque vous utilisez des batteries de type automobile avec des câbles de batterie, veillez à débrancher le câble de batterie du pôle négatif de la batterie avant de la charger.
- Démarrez le moteur.
- Connectez le câble de charge aux bornes de la batterie et aux bornes CC du générateur.

Connectez la borne positive de la batterie à la borne positive du générateur. N'inversez pas les câbles de charge, sous peine d'endommager sérieusement le générateur et/ou la batterie.

Ne laissez pas les extrémités libres du câble se toucher. Si cela se produit, il y aura un court-circuit de la batterie.

Lorsqu'une batterie de grande capacité est chargée, un courant excessif circule (la valeur varie en fonction des conditions de décharge), et le fusible pour le courant continu sautera.

- Les batteries produisent des gaz explosifs. Maintenez les étincelles, les flammes et les cigarettes à bonne distance. Pour éviter la possibilité de créer une étincelle à proximité de la batterie, connectez toujours les câbles de charge à la batterie en premier et seulement ensuite au générateur. Lors de la déconnexion, vous devez d'abord débrancher les câbles au niveau du générateur.

- Chargez la batterie dans un endroit bien ventilé. Avant la charge, retirez le capuchon de chaque cellule de la batterie. Arrêtez la charge si la température de l'électrolyte dépasse 45°C.

⚠ AVERTISSEMENT

N'essayez pas de démarrer un moteur d'automobile lorsque le générateur est encore connecté à la batterie.

N'essayez JAMAIS d'utiliser le CC 12 V et le CA en même temps.

Arrêt du générateur

- Coupez le disjoncteur CA.
- Laissez le levier de vitesse du moteur en position « Fonctionnement ». Faites fonctionner le moteur sans charge pendant environ 3 minutes. N'arrêtez PAS le moteur brusquement car cela pourrait provoquer une augmentation anormale de la température, endommager la buse et gripper le moteur.
- Poussez le levier d'arrêt vers le bas ou tournez la clé de contact dans le sens inverse des aiguilles d'une montre sur la position « Éteint ».

⚠ AVERTISSEMENT

Si le moteur continue à tourner même une fois le levier de vitesse en position « Arrêt », mettez la clé de contact en position « Éteint ». N'essayez JAMAIS d'arrêter le moteur avec le levier de décompression (type cadre ouvert uniquement).

Commande à distance (le cas échéant)

Le générateur peut être démarré ou arrêté à distance à l'aide d'un émetteur sans fil.

- Veillez à ce que le levier soit en position « Fonctionnement ».
- Laissez la clé de contact en position « Éteint » (pas de rotation dans le sens des aiguilles d'une montre).
- Pour démarrer le moteur, appuyez sur le bouton « A » de l'émetteur. Maintenez-le enfoncé pendant environ 3 à 5 secondes.
- Si le générateur ne démarre pas, répétez les étapes 1 à 2 et réessayez.
- Pour arrêter le moteur, appuyez sur le bouton « B » de l'émetteur.

⚠ AVERTISSEMENT

En mode de démarrage par clé électrique : Quand le générateur est arrêté ou s'il n'est pas utilisé, vous DEVEZ tourner la clé de contact sur la position « Éteint », sinon la batterie se videra avec le temps.

⚠ AVERTISSEMENT

Si le générateur ne démarre pas après 3 tentatives, les étapes 1 à 3 doivent être RÉPÉTÉES. L'entretien général du niveau d'huile et du niveau de carburant doit être vérifié.

Ne laissez jamais une personne autre que le propriétaire ou l'utilisateur démarrer ou arrêter à distance le générateur à l'aide de l'émetteur sans fil. Le fait de démarrer et d'arrêter constamment le générateur endommagera les composants électriques/électroniques ou l'équipement. Cela provoquera également une usure prématurée du moteur.

Si le générateur ne démarre pas du tout après plusieurs tentatives, il peut y avoir un dysfonctionnement ou un défaut.

⚠ AVERTISSEMENT

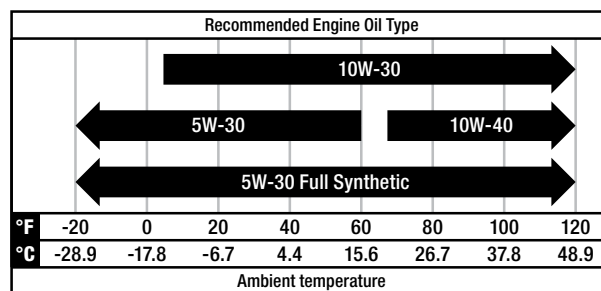
NE faites JAMAIS fonctionner le générateur à la puissance maximum pendant plus de 10 minutes. Vous feriez caler le moteur et le feriez surchauffer au risque de provoquer un incendie. Arrêtez immédiatement le générateur et laissez-le refroidir pendant au moins 30 minutes.

ENTRETIEN

Il est très important de procéder à un contrôle et à un entretien périodiques pour maintenir le moteur en bon état. Veuillez lire la description détaillée de chaque pièce dans le manuel d'utilisation.

Arrêtez le moteur avant d'effectuer tout entretien. Si le moteur doit tourner, assurez-vous que la zone soit bien ventilée. Les gaz d'échappement contiennent du gaz de monoxyde de carbone toxique.

Après l'utilisation du moteur, nettoyez-le immédiatement avec un chiffon pour éviter la corrosion et éliminer les sédiments.

**QUOTIDIENNEMENT**

- Vérifiez le niveau d'huile
- Vérifiez et faites le plein de carburant
- Vérifiez s'il existe une fuite d'huile
- Vérifiez et serrez les pièces du moteur si elles sont desserrées

LES 20 PREMIÈRES HEURES

- Changez l'huile
- Vidangez le réservoir de carburant
- Ajustez le jeu des soupapes d'admission et d'échappement*
- Prise d'air et soupapes d'échappement*

MENSUELLEMENT

- Vérifiez le fluide de la batterie
- Vérifier le filtre à air

CHAQUE 100 HEURES OU 3 MOIS

- Changez l'huile
- Nettoyez le filtre à huile

CHAQUE 300 HEURES OU 6 MOIS

- Serrez les boulons de tête sur le moteur*
- Remplacez le filtre à huile
- Remplacez le filtre à air
- Nettoyez le filtre de carburant
- Vérifiez la pompe d'injection de carburant*
- Vérifiez la buse d'injection de carburant*
- Vérifiez le tuyau de carburant
- Ajustez le jeu des soupapes d'admission et d'échappement*

CHAQUE 1 000 HEURES OU ANNUELLEMENT

- Remplacez le filtre de carburant
- Prise d'air et soupapes d'échappement*
- Remplacez les segments de piston*

CHAQUE 3 ANS

☐ Remplacez la conduite de carburant*

*Special tools or skills are required - please do not attempt yourself - consult Technical Support on service@bpeholdings.co.uk. Charges may apply.

Changer l'huile moteur (chaque 100 heures)

Retirez le bouchon de remplissage d'huile. Retirez le bouchon de vidange et vidangez l'huile usagée pendant que le moteur est encore chaud. Le bouchon de vidange d'huile est situé au bas du bloc moteur, à côté du filtre à huile. Serrez le bouchon de vidange et remplissez avec l'huile recommandée 10W30 non ou partiellement synthétique.

Nettoyer le filtre à huile (chaque 300 heures)

Dévissez le boulon de 10 mm et retirez le filtre à huile (situé en bas du bloc moteur, à côté du bouchon de vidange d'huile). Nettoyez avec de l'eau ou de l'essence. N'utilisez PAS de détergents.

Changer l'élément du filtre à air (chaque 300 heures)

Ne lavez pas l'élément du filtre à air avec un détergent car il s'agit d'un élément de type sec. Utilisez de l'eau ou de l'essence. Laissez-le sécher complètement avant de le remplacer.

⚠ AVERTISSEMENT

Ne démarrez jamais le moteur sans l'élément ou avec un élément défectueux. Changez l'élément à temps.

Nettoyer et remplacer le filtre à carburant (chaque 300 heures)

Le filtre à carburant doit également être nettoyé régulièrement pour assurer une efficacité maximale du moteur.

1. Vidangez le carburant (diesel) du réservoir de carburant.
2. Desserrez les petits clips sur les tuyaux. Retirez le filtre à carburant et rincez-le soigneusement avec du carburant diesel (UNIQUEMENT). Retirez le contre-écrou, le capuchon d'extrémité et les disques diffuseurs. Nettoyez le dépôt de carbone.
3. Si vous utilisez du diesel avec colorant, les filtres DOIVENT être changés toutes les 100 heures ou tous les mois. Le système d'injection de carburant DOIT être nettoyé toutes les 300 heures.

Vérification et remplissage du liquide de batterie et charge de la batterie (mensuel)

Ce moteur diesel utilise une batterie de 12 V. Le liquide de la batterie se vide au fil des charges et des décharges.

Avant de démarrer, vérifiez que la batterie n'a pas subi de dommages physiques et que le niveau d'électrolyte

n'est pas trop élevé. Si nécessaire, remplissez d'eau distillée jusqu'au repère supérieur. Si vous constatez un dommage, remplacez immédiatement la batterie. Les batteries sont couvertes par une garantie de 12 mois à compter de la date d'achat initiale.

STOCKAGE

Si votre générateur doit être stocké pendant une longue période, les dispositions suivantes doivent être prises.

1. Faites fonctionner le moteur diesel pendant environ 10 minutes SANS charge et arrêtez-le.
2. Attendez environ 10 minutes lorsque le moteur est encore chaud, vidangez l'huile moteur, puis remplissez avec une nouvelle huile moteur 10W30.
3. Retirez le bouchon rouge sur le couvercle de la culasse du moteur diesel et ajoutez 2 ml d'huile lubrifiante dans le cylindre. Remettez ensuite le bouchon rouge à sa place d'origine.
4. Entretien de la position de démarrage
 - Démarrage manuel (type cadre ouvert uniquement)
 - Mettez le levier en position « Fonctionnement »
 - Appuyez sur la poignée rouge de réduction de la pression (position de non-compression), tirez la poignée de recul 2 à 3 fois. (Ne démarrez pas le moteur diesel).

DÉPANNAGE

Problème	Cause	Solution
Le moteur ne démarre pas.	Pas de carburant.	Ajoutez du carburant.
	L'interrupteur n'est pas en position « Allumé »	Mettez-le en position « Allumé »
	La pompe à carburant haute pression, la buse d'injecteur ne peuvent pas injecter ou la quantité de carburant est insuffisante.	Retirez la buse d'injection et réparez-la ou purgez le système d'injection de carburant.
	Le levier de commande de la vitesse n'est pas en position « Fonctionnement »	Mettez le levier de commande en position « Fonctionnement »
	Vérifiez le niveau d'huile	Ajoutez de l'huile si nécessaire
	La vitesse et la force pour tirer le démarreur à recul ne sont pas suffisantes	Démarrez le moteur diesel conformément aux exigences de la procédure de démarrage
	La buse d'injection est sale ou bloquée	Nettoyez ou remplacez la buse d'injection
	La batterie est vide	Rechargez-la ou remplacez-la
Le moteur ne démarre pas avec la télécommande.	La clé de contact n'est pas en position Allumé	Vérifiez les étapes 1-3 sur les instructions RC
	Le levier n'est pas en position « Fonctionnement »	Vérifiez les étapes 1-3 sur les instructions RC
	Niveau d'huile ou de carburant faible	Ajoutez de l'huile ou du carburant si nécessaire
Le moteur fonctionne mais pas de sortie.	Le disjoncteur CA est sur « Éteint »	Mettez l'interrupteur CA principal en position « Allumé »
	Le contact de la prise n'est pas bon	Ajustez les supports de la prise
	La vitesse nominale du générateur ne peut être atteinte	Ajustez le régulateur du moteur en fonction des besoins
	Autre.	Contactez l'assistance technique service@bpeholdings.co.uk .

REMARQUE : lors du soudage, si vous constatez que l'électricité est trop importante pour le soudeur ou si le moteur s'arrête en raison d'une surcharge pendant le soudage, le régulateur de l'AVR peut être endommagé ou court-circuité.

GARANTIE

Chez Warrior, nous comprenons l'importance de la garantie pour le service et la réparation. Nous offrons actuellement une garantie standard de 2 ans (générateurs diesel Warrior) sans avoir à enregistrer votre achat. Nous avons toujours la possibilité d'enregistrer les produits pour les clients qui souhaitent utiliser le site web et rester en contact avec nous.

Veuillez consulter les limitations ci-dessous et lire les conditions générales complètes concernant la garantie offerte sur un produit particulier.

Tout ce dont nous avons besoin, c'est d'une copie de la preuve d'achat originale ou d'une facture fournie par le détaillant au moment de l'achat pour permettre la réclamation. Veuillez conserver votre preuve d'achat en lieu sûr pendant toute la durée de vos conditions. Dans le cas où vous auriez besoin de notre assistance technique, nous vous demanderions de la fournir lors de chaque réclamation. SANS preuve d'achat toute réclamation de garantie sera retardée ou rejetée.

Garantie réparation/remplacement

Les générateurs diesel de la marque Warrior garantissent à l'acheteur original, pendant jusqu'à 2 ans d'usage domestique, que les composants mécaniques et électriques seront exempts de défauts de matériau et de fabrication pendant une durée de un (1) an [pièces et main-d'œuvre] et de deux (2) ans [pièces uniquement] à compter de la date d'achat originale ou 1 000 heures, selon ce qui survient en premier.

Usage industriel et commercial Un (1) an [pièces et main-d'œuvre] ou 500 heures, selon ce qui survient en premier.

Les frais de transport d'un produit soumis pour une réparation ou un remplacement dans le cadre de la présente garantie sont à entièrement à la charge de l'acheteur. La présente garantie ne s'applique qu'uniquement à l'acheteur original et n'est pas transférable.

Ne retournez pas l'appareil au point d'achat

Contactez le Service technique de Warrior et nous dépannerons votre problème par téléphone ou par e-mail. Si le problème n'est pas corrigé par cette méthode, Warrior pourra, à sa discrétion, autoriser une évaluation, une réparation ou un remplacement de la pièce défectueuse ou du composant défectueux dans notre propre Centre après-vente. Si un produit doit être remplacé, ce sera sur la base d'un produit similaire et non d'un produit neuf. Warrior vous fournira un numéro de dossier pour le service de garantie, qui peut être suivi via votre compte de connexion. Veuillez le conserver pour toute référence future. Les réparations ou les remplacements sans autorisation préalable, ou dans un établissement de réparations non agréé, ne seront pas couverts par la présente garantie. Nous avons des exclusions de garantie pour les clients en dehors du Royaume-Uni, veuillez consulter nos conditions générales complètes.

FR

Exclusions de la garantie

La présente garantie ne couvre PAS ce qui suit :

Usure normale

Votre produit a besoin de pièces et de services périodiques pour fonctionner correctement. La présente garantie ne couvre pas la réparation quand l'usure normale a abîmé une pièce ou l'équipement dans son ensemble.

Installation, utilisation et entretien

La présente garantie ne s'applique pas aux pièces ou à la main-d'œuvre si votre produit est réputé avoir été mal utilisé, négligé, impliqué dans un accident, maltraité, surchargé au-delà des limites du générateur, modifié, installé d'une mauvaise manière ou connecté d'une mauvaise manière à un composant ou système électrique. L'entretien normal n'est pas couvert par la présente garantie.

Autres exclusions

La présente garantie exclut ce qui suit :

- défaut esthétique comme la peinture, les autocollants, etc.
- pièces usées, notamment les pistons et les segments, les bougies d'allumage et les filtres
- pièces accessoires, y compris les roues et les ensembles de recul
- défauts dus à des catastrophes naturelles et autres cas de force majeure échappant au contrôle du fabricant
- problèmes causés par des pièces qui ne sont pas des pièces d'origine de Warrior Power Equipment
- altération ou modification(s) effectuée(s) par toute partie autre que le fabricant, y compris l'extension de l'échappement et les systèmes de filtration
- tous les tuyaux en plastique ou en caoutchouc, les réducteurs et les régulateurs
- tout équipement électrique d'un tiers

Batterie 12 V

- toutes les batteries fournies de plus de 1 an.

Commutateur de transfert approprié

Tout système MTS (transfert manuel) et ATS (transfert automatique) autre que ceux fournis par nous-mêmes sous WARRIOR ou Warrior ne sera pas considéré comme approprié et annulera toutes les garanties données. Veuillez nous contacter directement avant d'installer un système de transfert.

Limites de la garantie implicite et des dommages indirects

Winch Solutions Ltd (CG) décline toute obligation de couvrir toute perte de temps, d'utilisation de ce produit, de fret, ou tout coût de réclamation accessoire ou consécutif par quiconque de l'utilisation de ce produit.

LA PRÉSENTE GARANTIE REMPLACE TOUTES LES AUTRES GARANTIES, EXPRESSES OU IMPLICITES, Y COMPRIS LES GARANTIES DE QUALITÉ MARCHANDE OU D'ADAPTATION À UN USAGE PARTICULIER.

Un appareil fourni en échange sera soumis à la garantie de l'appareil d'origine. La durée de la garantie régissant l'appareil échangé sera calculée en faisant référence à la date d'achat de l'appareil d'origine. La présente garantie vous donne certains droits légaux qui peuvent changer selon le pays. Votre pays peut également avoir d'autres droits auxquels vous pourriez prétendre qui ne sont pas répertoriés dans la présente garantie.

PREMESSA

Grazie per aver scelto il nostro prodotto.

Questo prodotto è garantito contro i difetti di fabbricazione per un periodo di 24 mesi o 1000 ore di funzionamento dalla data di acquisto. Conservare la ricevuta come prova d'acquisto. I T&C completi sono disponibili alla pagina della garanzia del presente manuale o sul nostro sito web www.championpowerequipment.co.uk

La garanzia decade se si scopre che il prodotto è stato usato in modo improprio o modificato/manomesso in qualsiasi modo, o non è stato utilizzato per l'applicazione/scopo per cui è stato concepito. **I materiali difettosi non devono essere resi al luogo di acquisto.** Il generatore deve essere restituito al fornitore del prodotto. Nessun prodotto può essere restituito senza previa autorizzazione; le spese di restituzione dei generatori sono esclusivamente a carico dell'utilizzatore/proprietario. La presente garanzia non pregiudica i diritti legali dell'utilizzatore.

Quando si contatta WPE per ricambi e/o l'assistenza, si deve fornire il modello completo e i numeri di serie del prodotto. Trascrivete le informazioni che si trovano sull'etichetta della targa del vostro prodotto nella tabella sottostante

TEAM DEL SUPPORTO TECNICO WPE
NUMERO DI MODELLO
NUMERO DI SERIE
DATA DI ACQUISTO
LUOGO DELL'ACQUISTO

IMPORTANTE

1. I minori devono essere tenuti a distanza di sicurezza dal generatore e non devono MAI azionarlo.
2. Un generatore nuovo ha bisogno di un periodo di rodaggio di circa 10-20 ore con un carico massimo non superiore al 75%. Dopo le prime 20 ore di funzionamento l'olio DEVE essere cambiato; il tipo di olio consigliato è 10W30 parzialmente o totalmente sintetico. Tipi alternativi di olio si trovano più avanti nel manuale nella tabella degli oli, alla voce Manutenzione. Non toccare il motore o il silenziatore quando il generatore è in funzione. Prestare attenzione alle targhette di avvertimento e precauzione presenti sul generatore.
3. Prima dell'avviamento le apparecchiature elettriche (compresi i cavi e le spine di collegamento) devono essere in buone condizioni e devono essere ispezionate prima dell'uso.
4. In caso di sostituzione dell'interruttore automatico, le specifiche devono essere equivalenti o superiori a quelle dell'interruttore automatico da rimuovere.
5. A causa delle elevate sollecitazioni meccaniche, si consiglia di utilizzare solo cavi con guaina in gomma.
6. Quando si utilizzano prolunghe o armadietti di distribuzione mobili, il cavo con sezione da 1,5 mm² non deve essere più lungo di 50 metri; mentre il cavo con sezione da 2,5 mm² non deve essere più lungo di 100 metri.
7. In caso di avviamento manuale, utilizzare sempre la leva di decompressione. (SOLO per il tipo a telaio aperto)
8. In condizioni ambientali di lavoro standard (da -5 a +40 gradi centigradi), il generatore può funzionare a carichi di esercizio normali. Se le condizioni di lavoro dell'ambiente circostante non sono normali, le temperature sono cioè troppo alte o troppo basse, si deve fare funzionare il generatore a una potenza inferiore, non superando il 75% del carico massimo. Quando la temperatura, l'altitudine e l'umidità sono superiori alle condizioni di lavoro standard, il generatore DEVE ridurre il carico di uscita a non più del 75% del carico massimo.
9. Prima di qualsiasi ispezione o manutenzione del generatore, il motore deve essere fermato e lasciato raffreddare per almeno 30 minuti. Controllare e sottoporre a manutenzione il generatore secondo la tabella della manutenzione periodica e la scheda della manutenzione programmata presente nel manuale.
10. Ad eccezione della manutenzione o della pulizia giornaliera, qualsiasi ispezione o regolazione deve essere effettuata da personale professionale autorizzato, che deve procurarsi i componenti originali richiesti dal fornitore. (Contattare i rivenditori locali).
11. La macchina appena revisionata deve effettuare un periodo di rodaggio di almeno 10 ore a una potenza non superiore al 75% del carico massimo.

CARATTERISTICHE

Il generatore diesel WPE possiede le seguenti caratteristiche:

Questa serie di generatori diesel adotta un motore diesel di tipo superleggero, raffreddato ad aria, a 4 tempi a iniezione diretta e dispone di due opzioni di avviamento:

1. Avviamento a strappo
2. Avviamento elettrico.

Sono dotati di serbatoio del carburante di grande capacità, sistema di protezione del circuito, uscite di tensione CA e per certi modelli CC, allarme di bassa pressione dell'olio e dispositivo di arresto automatico.

Il generatore diesel funge da UPS per l'alimentazione in stand-by in molte applicazioni diverse, tra cui cantieri all'aperto, edilizia e attività militari sul campo. Alimentazione di emergenza per allevamenti di pollame, pesca, silvicoltura, giardini, hotel, negozi e uffici.

Il presente manuale operativo illustra le modalità di funzionamento e manutenzione del vostro nuovo generatore diesel. Prima di utilizzare il generatore diesel, leggerlo con attenzione al fine di garantire una gestione e un funzionamento corretti. Seguendo attentamente queste istruzioni, il generatore diesel si manterrà nelle migliori condizioni di funzionamento, così da prolungare al massimo la propria vita utile.

In caso di domande sul nuovo prodotto o sulle informazioni contenute nel presente manuale, contattare service@bpeholdings.co.uk.

PARAMETRI

I generatori possono generare la potenza specificata quando vengono utilizzati nelle seguenti condizioni:

Altitudine: < 1000m

Temperatura ambiente: da 5 a 40°C

Umidità relativa: <90%

ATTENZIONE

I gas di scarico e i silenziatori sono molto caldi al tatto. NON aggiungere o installare prolunghe per scarichi/silenziatori, perché in questo modo si annulla la garanzia offerta.

Prevenzione delle ustioni

Non toccare o maneggiare MAI lo scarico/silenziatore e il motore quando il generatore è in funzione o è caldo; attendere sempre circa 30 minuti per far raffreddare lo scarico/silenziatore e il motore prima di maneggiarli.

IMPORTANTE

Leggere e comprendere il presente manuale d'uso per garantire un funzionamento sicuro e di prestare la massima attenzione ai seguenti punti principali del funzionamento, altrimenti si potrebbero causare lesioni personali e danni all'apparecchiatura.

Prevenire gli incendi

Il carburante di questo motore diesel è gasolio leggero, quindi non devono MAI essere utilizzati benzina, cherosene o biodiesel ecc. Il diesel con coloranti non è raccomandato e, se utilizzato, la manutenzione mensile è fortemente raccomandata, altrimenti si verificherà un deterioramento delle prestazioni del motore e/o danni al motore.

Questo motore diesel è alimentato a gasolio leggero, quindi non si devono MAI usare benzina, cherosene o biodiesel ecc.

Eliminare tutte le fuoriuscite di carburante con un panno pulito. Tenere benzina, cherosene, fiammiferi e altri esplosivi e sostanze infiammabili lontano dal generatore, poiché la temperatura intorno al silenziatore è molto elevata durante il funzionamento. Per evitare rischi di incendio e per garantire un'adeguata ventilazione, tenere il generatore ad almeno 1,5 metri di distanza da edifici, strutture e altre apparecchiature durante il funzionamento.

Utilizzare il generatore su una superficie piana; se il generatore è inclinato, potrebbero verificarsi fuoriuscite di combustibile o un cattivo funzionamento.

ATTENZIONE

MAI far funzionare il generatore con i watt MAX per più di dieci (10) minuti, in questo modo il motore si surriscalderebbe e poi si arresterebbe; rischiando il fuoco. In tal caso, fermare immediatamente il generatore e lasciarlo raffreddare per almeno 30 minuti

Prevenzione dell'inalazione dei gas di scarico

I gas di scarico contengono monossido di carbonio, che è velenoso. Utilizzare sempre il generatore all'aperto, a una distanza minima di 1,5 m da finestre, porte o aperture.

I generatori non devono mai essere utilizzati in ambienti chiusi, in garage, cabine, fabbricati annessi, capannoni o in qualsiasi spazio ristretto, compresi i veicoli e gli abitacoli dei veicoli.

Scosse elettriche, cortocircuiti

Per evitare scosse elettriche o cortocircuiti, non toccare mai il generatore con le mani bagnate o se il generatore è bagnato.

Questo generatore non è impermeabile, pertanto non deve MAI essere utilizzato in un luogo esposto a pioggia, neve o spruzzi d'acqua. Il generatore deve essere messo

a terra per evitare scosse elettriche. Collegare un cavo di grosso diametro tra il terminale di messa a terra del generatore e un dispositivo di messa a terra esterno, un'asta di terra o un picchetto che sia profondo almeno 200 mm.

Non collegare alcuna apparecchiatura al generatore prima di averlo avviato.

⚠ ATTENZIONE

La maggior parte dei motori degli elettrodomestici richiede una potenza superiore a quella nominale per l'avvio. Non superare il limite di corrente specificato per una singola presa. Non sovraccaricare MAI il generatore o farlo funzionare per lunghi periodi di tempo al massimo wattaggio. Se il generatore mostra segni di surriscaldamento, ARRESTARLO immediatamente e lasciarlo raffreddare per almeno 30 minuti.

Ricarica della batteria

L'elettrolita della batteria contiene acido solforico. Proteggere gli occhi, la pelle e gli indumenti. In caso di contatto, sciacquare abbondantemente con acqua e consultare tempestivamente un medico, soprattutto se gli occhi sono colpiti.

Le batterie generano idrogeno gassoso, che può provocare fiamme o scintille in prossimità della batteria, soprattutto durante la ricarica.

Caricare la batteria in un'area completamente ventilata.

⚠ ATTENZIONE

È importante sapere come arrestare rapidamente il generatore e comprendere come utilizzare tutti i comandi. Non permettere mai a nessuno di azionare il generatore senza conoscere le dovute istruzioni.

Indossate sempre il casco, le scarpe di sicurezza e un abbigliamento adeguato. Tenere gli animali domestici e i bambini lontani dal generatore quando è in funzione.

PREPARAZIONE PRIMA DELL'AVVIO

Selezione e gestione del carburante

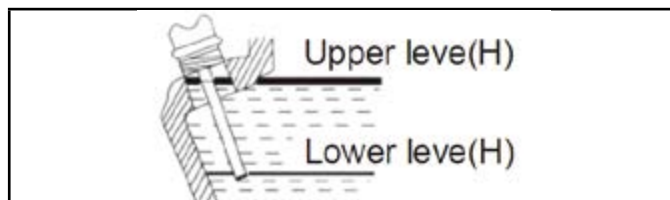
- È possibile utilizzare solo gasolio leggero.
- Il carburante deve essere filtrato.
- Il carburante deve essere privo di acqua o polvere, perché possono contaminare il sistema di iniezione.
- Non riempire eccessivamente il serbatoio oltre la parte superiore del tappo rosso all'interno del filtro del serbatoio del carburante; utilizzare l'indicatore

di livello del carburante sulla parte superiore del serbatoio.

- Non fumare e non permettere la formazione di scintille nell'area in cui il motore viene rifornito di carburante o in cui viene immagazzinata la benzina.
- Fare attenzione alle fuoriuscite di carburante durante il rifornimento e assicurarsi che il tappo del filtro sia ben chiuso.

Selezione e manipolazione dell'olio

- Posizionare il generatore su una superficie piana.
- Rabboccare l'olio motore attraverso l'apposita apertura.
- Per controllare il livello dell'olio, è sufficiente immergere l'astina nella vaschetta. Non avvitarla l'astina di livello durante il controllo.



AVVISO

Nulla influisce sulle prestazioni e sulla durata del generatore più dell'olio utilizzato. Se si utilizza un olio di qualità inferiore o se l'olio del motore non viene cambiato regolarmente, aumenta notevolmente il rischio di grippaggio del pistone, di incollaggio delle fasce elastiche e di usura accelerata delle pareti del cilindro, dei cuscinetti e di altri componenti mobili.

- Assicurarsi di controllare il livello dell'olio e di rabboccarlo fino al livello specificato prima di avviare il generatore, anche se è dotato di un sistema di segnalazione di bassa pressione dell'olio.
- Se il generatore non si avvia entro il 5° tentativo o si avvia e si spegne, il livello dell'olio è troppo basso e deve essere rabboccato.

AVVISO

L'olio deve essere sostituito dopo le prime 10 ore (o 1 mese) di utilizzo e successivamente ogni 3 mesi o 100 ore di utilizzo.

Scaricare sempre l'olio quando il motore è caldo, ma non bollente. È più difficile scaricare completamente l'olio dopo il raffreddamento.

Come regola generale, il livello dell'olio è al massimo quando è visibile sulla filettatura medio-superiore dell'attacco. Non riempire eccessivamente il serbatoio, altrimenti le prestazioni del motore si riducono e il motore può subire danni.

⚠ ATTENZIONE

MAI rabboccare o tentare di cambiare l'olio nel generatore mentre il motore è in funzione.

Controllo del filtro dell'aria

- Allentare il dado ad alette, staccare il coperchio del filtro dell'aria e rimuovere l'elemento. Non lavare l'elemento del filtro dell'aria con detergenti. Usare acqua o benzina (DEVONO essere lasciati asciugare prima di essere sostituiti).
- L'elemento del filtro dell'aria deve essere sostituito quando la potenza del motore diminuisce o il colore dello scarico è anomalo.
- Non far mai funzionare il generatore senza l'elemento del filtro dell'aria. Ciò può causare una rapida usura del motore.
- Rimontare il coperchio del filtro dell'aria e serrare il dado ad alette.

Assicurarsi che nessun carico sia collegato al generatore

- Spegnerne l'interruttore principale e qualsiasi altro carico.
- Assicurarsi di spegnere l'interruttore principale prima di avviare il generatore. Se l'interruttore non è in posizione "OFF", l'applicazione improvvisa del carico potrebbe essere molto pericolosa all'avvio del motore diesel.
- Il generatore deve essere messo a terra per evitare scosse elettriche. (Consigliato).

Gestione del generatore a doppia tensione

- Funzionamento del commutatore: L'interruttore del circuito CA sul pannello di controllo deve essere impostato sulla posizione "OFF" prima di mettere in funzione la macchina. Dopo l'avviamento del generatore, lasciare che la velocità raggiunga il numero di giri nominale e quindi portare l'interruttore del circuito CA in posizione "ON", in modo da poter utilizzare le prese per il funzionamento delle apparecchiature.
- Non cercare MAI di passare da una tensione all'altra quando l'interruttore automatico CA è su ON e l'apparecchiatura utilizzatrice è collegata.
- Impostare l'interruttore principale CA sulla posizione "OFF" quando si utilizza l'alimentazione a 12 V CC.

Controllo della presa d'aria**⚠ ATTENZIONE**

Il CARBURANTE e l'OLIO motore vengono scaricati in fabbrica prima del trasporto. I generatori vanno svuotati prima del rimessaggio.

- Verificare la presenza di una camera d'aria nella condotta del carburante e controllare se è presente anche aria nella condotta, nel qual caso, scaricare l'aria dalla condotta prima di fare rifornimento e avviare il motore diesel.
- Il filtro del carburante deve essere pieno almeno al 75%, se non lo è potrebbe essere presente dell'aria nel sistema.
- Il metodo per rimuoverla consiste nell'allentare il raccordo con il dado premistoppa da 17 mm tra la pompa di iniezione e la tubazione in ottone ad alta pressione, mettere la leva di marcia in posizione "RUN" (in marcia) e fare girare il motore fino a quando il carburante non inizia a fuoriuscire.
- Sostituire e serrare nuovamente il dado premistoppa da 17 mm e ripetere la procedura se il motore continua a non avviarsi.

FUNZIONAMENTO**Funzione preriscaldatore**

Questo generatore è dotato di una funzione del pulsante di preriscaldamento per temperature fredde inferiori a 0°C, questa funzione è progettata per riscaldare il motore e lubrificare prima utilizzando l'alimentazione a 12 V CC fornita dalla batteria prima che il motore venga avviato.

Se la temperatura esterna è inferiore a 0°C si consiglia di utilizzare il pulsante funzione preriscaldatore prima di avviare il motore.

1. Ruotare la chiave di accensione in posizione "ON".
2. Tenere premuto il pulsante del preriscaldatore per almeno 5 secondi finché non appare la luce rossa fissa.
3. Rilasciare il pulsante e avviare normalmente il generatore utilizzando la chiave o il telecomando (solo modelli con telecomando wireless)

Se il generatore non si avvia, ripetere i passaggi 1-3 al massimo 3 volte, se il generatore non si avvia dopo 3 tentativi, contattare il servizio di assistenza locale.

Sistema di avviso di livello olio basso

- Questo dispositivo agisce per arrestare automaticamente il motore quando la pressione

dell'olio scende al di sotto del livello minimo previsto e impedisce il grippaggio del motore quando il livello dell'olio motore è basso o la pressione del motore cade.

- La temperatura dell'olio aumenta se il motore viene fatto funzionare con una quantità insufficiente di olio motore. D'altra parte, una quantità eccessiva di olio è pericolosa in quanto l'olio può bruciare e causare un aumento improvviso ed eccessivo del numero di giri del motore, quindi, prima di OGNI avviamento della macchina, ricordarsi di controllare l'olio e di rabboccarlo al livello specificato, qualora fosse necessario.

Spia di avvertimento olio basso

Il generatore è dotato di una spia di avvertimento basso livello olio.

Se l'evento in cui la luce è illuminata in "rosso fisso", il generatore richiede l'aggiunta immediata di olio.

1. Interrompere immediatamente l'esecuzione dell'applicazione e spegnere il motore e lasciare raffreddare per circa 10-15 minuti.
2. Rimuovere l'astina di livello dell'olio e pulirla.
3. Aggiungere l'olio, utilizzando un imbuto dell'olio (non fornito) e controllare utilizzando l'astina di livello dell'olio (come buona regola generale l'olio è pieno quando è visibile visivamente sulle filettature medio/superiori della porta). Se si utilizza l'astina di livello dell'olio, NON avvitare MAI l'astina di livello dell'olio per eseguire una lettura, appoggiarla semplicemente sulla parte superiore della porta e visualizzare la lettura.
4. Riavvitare l'astina di livello dell'olio
5. Far funzionare il motore per 10 minuti senza alcun carico consentendo all'olio di circolare completamente.
6. Controllare nuovamente il livello dell'olio.

La mancata aggiunta della capacità dell'olio consigliata può comportare una maggiore usura del motore e/o danni al motore

Aprire lo sportello e il coperchio del quadro.

Aprire lo sportello del quadro e sollevare lo sportello e controllarlo ogni giorno.

1. Girare la maniglia in senso antiorario per aprire lo sportello del quadro.
2. Girare la maniglia in senso orario per bloccare lo sportello del quadro.

Funzionamento in rodaggio

Quando il generatore è ancora nuovo, l'applicazione di carichi pesanti può ridurre la durata del motore. Seguire le procedure di rodaggio durante le prime 20 ore.

1. Evitare di applicare un carico pesante durante il periodo di rodaggio.
2. Cambiare regolarmente l'olio motore. Cambiare l'olio motore ogni 20 ore o un mese dopo il primo utilizzo e successivamente ogni 3 mesi o 100 ore.
3. In caso di utilizzo a caldo o con carichi elevati, cambiare l'olio dopo 100 ore o 1 mese.

Avviare il generatore

Avviamento a strappo (solo per il tipo a telaio aperto)

1. Aprire il rubinetto del carburante (in posizione "ON").
2. Portare la leva del regime del motore in posizione "RUN" (in marcia).
3. Estrarre l'impugnatura di avviamento a strappo.
4. Estrarre l'impugnatura fino al punto in cui le mani sentono una forte resistenza, quindi riportarla nella posizione iniziale.
5. Spingere verso il basso la leva di decompressione. (Tornerà automaticamente indietro quando verrà tirato l'avviamento a strappo).
6. Tirare con forza l'impugnatura di avviamento a strappo con entrambe le mani.
7. Non lasciare che l'impugnatura vada a sbattere contro il motore. Riportarla delicatamente in posizione per evitare di danneggiare il motorino di avviamento.

ATTENZIONE

Non estrarre o toccare MAI l'impugnatura di avviamento a strappo quando il motore diesel è in funzione, per non danneggiare il motore (solo per il tipo a telaio aperto).

8. A freddo, quando il motore diesel stenta ad avviarsi, rimuovere il tappo rosso dal coperchio del bilanciere e aggiungere 2 cc di olio motore.
9. Riposizionare il tappo rosso prima di iniziare.
10. Tenere avvitato sempre il tappo rosso nel coperchio tranne quando si aggiunge olio, altrimenti la pioggia, la sporcizia e altri agenti contaminanti potrebbero entrare nel motore e causare un'usura accelerata delle parti interne del motore. Questo può a sua volta causare gravi problemi al motore.

Avvio elettrico

1. Girare la chiave di accensione in senso orario in posizione "ON".

2. Portare la leva del regime del motore in posizione "RUN" (in marcia).
3. Girare la chiave di accensione in senso orario in posizione "Start" (avvio).
4. Rilasciare la mano dalla chiave non appena il motore si avvia e lasciare che la chiave torni automaticamente alla posizione iniziale "ON".
5. Per l'avviamento a basse temperature, fare riferimento alla funzione Preriscaldatore
6. Se il motorino di avviamento non si innesta e non fa girare il motore dopo 10 secondi, attendere circa 30 secondi prima di tentare un nuovo avviamento e ripetere questa procedura.

ATTENZIONE

*Nota: Non tenere MAI la chiave in posizione di avviamento per più di 10 secondi, poi rilasciarla e riprovare se il motore non si avvia al primo tentativo, altrimenti si possono verificare danni al motorino di avviamento.

Se il motorino di avviamento viene fatto funzionare troppo a lungo, la batteria si scarica e il generatore non si avvia (per tipo a telaio chiuso).

Batteria

Controllare il livello del liquido nella batteria una volta al mese. Quando il livello scende al di sotto della tacca di livello minimo, rabboccare con acqua distillata fino alla tacca di livello massimo.

Se il liquido della batteria è basso, il motore potrebbe non avviarsi perché l'elettricità che arriva al motorino di avviamento è insufficiente. Mantenere sempre il livello del fluido tra la tacca superiore e quella inferiore.

Se si introduce una quantità eccessiva di liquido della batteria, il liquido può fuoriuscire e corrodere le parti circostanti. **NON** riempire eccessivamente.

Le batterie sono coperte da una garanzia di 1 anno dalla data di acquisto originale.

Funzionamento del generatore

1. Riscaldare il motore senza carico per circa 3 minuti.
2. Il nostro generatore è dotato di un sistema di segnalazione di livello basso dell'olio motore. Il motore si arresta automaticamente in caso di bassa pressione dell'olio o di mancanza di olio lubrificante. Il motore si arresta immediatamente se viene riavviato senza un rabbocco di olio lubrificante. Come controllare il livello dell'olio e rabboccarlo
3. Non allentare o regolare il bullone di limitazione del regime del motore o il bullone di limitazione dell'iniezione di carburante (sono stati impostati in

fabbrica) per non compromettere le prestazioni e il risparmio di carburante.

4. Per l'olio basso, fare riferimento alla spia di avvertimento dell'olio basso.
5. La mancata aggiunta della capacità dell'olio consigliata può comportare una maggiore usura del motore e/o danni al motore.

Controllo durante il funzionamento

1. Si percepiscono suoni o vibrazioni anomale?
2. Il motore si avvia a fatica o funziona in modo irregolare.
3. Di che colore sono i gas di scarico? (Sono neri o troppo bianchi?)

Se si rileva uno dei fenomeni sopra descritti, arrestare il motore e consultare il concessionario più vicino o contattare l'assistenza tecnica all'indirizzo service@bpeholdings.co.uk.

Funzionamento in CA

1. Avviare il motore e verificare che la spia pilota "VERDE" si accenda. In caso contrario, il filamento potrebbe essere bruciato.
2. La velocità del generatore deve raggiungere la velocità nominale (leva al massimo).
3. Il carico può essere aggiunto al generatore quando l'indicatore del voltmetro sul pannello mostra la tensione selezionata. La tolleranza di tensione può variare tra +10.
4. Collegare l'apparecchio.

ATTENZIONE

Non avviare due o più macchine contemporaneamente. Avviarle una per volta. Non utilizzare i proiettori insieme ad altre macchine.

5. Assicurarsi che tutte le apparecchiature siano in buone condizioni di funzionamento prima di collegarle al generatore.
6. Se un apparecchio o un pezzo di apparecchiatura inizia a funzionare in modo anomalo, diventa lento o si ferma improvvisamente, spegnere immediatamente il generatore. Quindi scollegare l'apparecchio ed esaminarlo per individuare eventuali segni di malfunzionamento.
7. Se il sovraccarico del circuito fa scattare la protezione del circuito CA, ridurre il carico elettrico sul circuito e attendere qualche minuto prima di riprendere il funzionamento.

- Se il voltmetro del display LCD indica un valore troppo basso o troppo alto, arrestare la macchina ed esaminare la causa del guasto.

Funzionamento in CC

Il morsetto CC può essere utilizzato solo per caricare batterie a 12 V di tipo automobilistico.

- Quando si utilizzano batterie di tipo automobilistico con cavi della batteria, assicurarsi di scollegare il cavo del polo negativo dalla batteria prima di caricarla.
- Avviare il motore.
- Collegare il cavo di carica ai morsetti della batteria e ai morsetti CC del generatore.

Collegare il morsetto positivo della batteria al morsetto positivo del generatore. Non invertire i cavi di ricarica, altrimenti si potrebbero verificare gravi danni al generatore e/o alla batteria.

Non lasciare che le estremità libere del cavo si tocchino. Se ciò si verifica, si provocherà un cortocircuito della batteria

Quando si carica una batteria di grande capacità, scorre una corrente eccessiva (il valore varia a seconda delle condizioni di scarica) e il fusibile per la corrente continua si brucia.

- Le batterie producono gas esplosivi. Tenerle lontano da scintille, fiamme e sigarette. Per evitare che si crei una scintilla vicino alla batteria, collegare sempre i cavi di ricarica prima alla batteria e solo successivamente al generatore. Quando si deve scollegare la batteria, è necessario scollegare prima i cavi del generatore.
- Caricare la batteria in un luogo ben ventilato. Prima della carica, rimuovere il tappo da ciascuna cella della batteria. Interrompere la carica se la temperatura dell'elettrolita supera i 45 °C.

ATTENZIONE

Non tentare di avviare il motore di un'automobile quando il generatore è ancora collegato alla batteria.

Non cercare MAI di utilizzare contemporaneamente la corrente continua a 12 volt e la corrente alternata.

Arresto del generatore

- Spegnere l'interruttore automatico della corrente alternata CA.
- Lasciare la leva del regime del motore in posizione "RUN", far girare il motore a vuoto per circa 3 minuti, NON arrestare improvvisamente il motore perché ciò potrebbe provocare un aumento anomalo

della temperatura e causare il danneggiamento dell'iniettore e il grippaggio del motore.

- Premere la leva di arresto o ruotare la chiave di accensione in senso antiorario in posizione "OFF" (spento).

ATTENZIONE

Se il motore continua a funzionare anche dopo aver premuto la leva della velocità in posizione "Stop" (arresto), portare la chiave di accensione in posizione "OFF" (spento). Non cercare MAI di arrestare il motore con la leva di decompressione (solo per il tipo a telaio aperto).

Telecomando (se applicabile)

Il generatore può essere avviato o fermato a distanza tramite un trasmettitore wireless.

- Assicurarsi che la leva sia in posizione "RUN".
- Lasciare la chiave di accensione in posizione "OFF" (senza girare in senso orario).
- Per avviare il motore, tenere premuto il pulsante "A" sul trasmettitore per circa 3-5 secondi.
- Se il generatore non si avvia, ripetere i passaggi 1 e 2 e riprovare.
- Per arrestare il motore, premere il pulsante "B" sul trasmettitore.

ATTENZIONE

In modalità di avviamento con chiave elettrica: Quando il generatore è fermo o non è in uso, è necessario girare la chiave di accensione in posizione "OFF", altrimenti la batteria si scarica con il passare del tempo.

ATTENZIONE

Se il generatore non si avvia dopo 3 tentativi, è necessario RIPETERE i passaggi da 1 a 3 e controllare il livello dell'olio e del carburante.

Non permettere mai a persone diverse dal proprietario o dall'utilizzatore di avviare o arrestare a distanza il generatore utilizzando il trasmettitore wireless. L'avvio e l'arresto continui del generatore danneggiano i componenti elettrici/elettronici o l'apparecchiatura e causano una maggiore usura del motore.

Se il generatore non si avvia affatto dopo molti tentativi, è possibile che vi sia un malfunzionamento o un guasto e che sia necessario contattare il centro di assistenza locale all'indirizzo service@bpeholdings.co.uk.

⚠ ATTENZIONE

Non azionare MAI il generatore alla MASSIMA potenza per più di 10 minuti, perché così facendo il motore inizierà a stallare e a surriscaldarsi con il rischio di incendi; fermare immediatamente il generatore e lasciarlo raffreddare per almeno 30 minuti.

MANUTENZIONE

I controlli e la manutenzione periodica sono molto importanti per mantenere il motore in buone condizioni. Leggere la descrizione dettagliata delle istruzioni per l'uso di ciascun componente.

Spegnere il motore prima di eseguire qualsiasi intervento di manutenzione. Se il motore deve funzionare, assicurarsi che l'area sia ben ventilata. I gas di scarico contengono monossido di carbonio, un gas velenoso.

Dopo l'uso del motore, pulirlo immediatamente con un panno per evitare la corrosione e rimuovere i sedimenti.

Recommended Engine Oil Type	
	10W-30
	5W-30
	10W-40
	5W-30 Full Synthetic
°F	-20 0 20 40 60 80 100 120
°C	-28.9 -17.8 -6.7 4.4 15.6 26.7 37.8 48.9
Ambient temperature	

OGNI GIORNO

- ☐ Controllare il livello dell'olio
- ☐ Controllo e rifornimento di carburante
- ☐ Verificare la presenza di perdite d'olio
- ☐ Controllare e serrare le parti del motore se allentate

PRIME 20 ORE

- ☐ Cambiare l'olio
- ☐ Svuotare il serbatoio del carburante
- ☐ Regolare il gioco delle valvole di aspirazione e scarico*.
- ☐ Lappare le valvole di aspirazione e scarico*

OGNI MESE

- ☐ Controllare il liquido della batteria
- ☐ Controllo del filtro dell'aria

OGNI 100 ORE O 3 MESI

- ☐ Olio per catene
- ☐ Pulire il filtro dell'olio

OGNI 300 ORE O 6 MESI

- ☐ Serrare i bulloni della testa del motore*
- ☐ Sostituire il filtro dell'olio
- ☐ Sostituire il filtro dell'aria
- ☐ Pulire il filtro del carburante
- ☐ Controllare la pompa di iniezione del carburante*
- ☐ Controllare l'iniettore del carburante*
- ☐ Controllare il tubo del carburante
- ☐ Regolare il gioco delle valvole di aspirazione e scarico*.

OGNI 1000 ORE O OGNI ANNO

- ☐ Sostituire il filtro del carburante
- ☐ Lappare le valvole di aspirazione e scarico*
- ☐ Sostituire le fasce elastiche*

OGNI 3 ANNI

- ☐ Sostituire il tubo del carburante*

*Special tools or skills are required - please do not attempt yourself - consult Technical Support on service@bpeholdings.co.uk. Charges may apply.

Sostituzione dell'olio motore (ogni 100 ore)

Rimuovere il tappo di riempimento dell'olio. Rimuovere il tappo di scarico e scaricare l'olio usato quando il motore è ancora caldo. Il tappo di scarico dell'olio si trova sul fondo del blocco motore, accanto al filtro dell'olio. Serrare il tappo di scarico e rabboccare con l'olio raccomandato 10W30 non sintetico o parzialmente sintetico.

Pulizia del filtro dell'olio (ogni 300 ore)

Allentare il bullone da 10 mm e rimuovere il filtro dell'olio (situato nella parte inferiore del blocco motore accanto al tappo di scarico dell'olio). Pulire con acqua o benzina e NON utilizzare detergenti.

Sostituzione dell'elemento del filtro dell'aria (ogni 300 ore)

Non lavare l'elemento del filtro dell'aria con detergenti, poiché si tratta di un elemento di tipo a secco, ma utilizzare acqua o benzina. Lasciare asciugare completamente prima di sostituirlo.

⚠ ATTENZIONE

Non avviare mai il motore senza l'elemento o con un elemento difettoso. Sostituire l'elemento entro i tempo previsti

dell'avviamento a strappo 2-3 volte. (Non avviare il motore diesel).

Pulizia e sostituzione del filtro del carburante (ogni 300 ore)

Anche il filtro del carburante deve essere pulito regolarmente per garantire la massima efficienza del motore.

1. Scaricare il carburante (gasolio) dal serbatoio.
2. Allentare i piccoli fermi sui tubi flessibili. Rimuovere il filtro del carburante e lavarlo accuratamente con gasolio (SOLO). Rimuovere il controdado, la calotta terminale e i dischi diffusori e pulire il deposito carbonioso.
3. Se si utilizza gasolio con colorante, i filtri devono essere sostituiti ogni 100 ore o ogni mese. Il sistema degli iniettori del carburante DEVE essere pulito ogni 300 ore.

Controllo e rifornimento del liquido della batteria e ricarica della batteria (ogni mese)

Questo motore diesel utilizza una batteria da 12 V. Il liquido della batteria si disperde a causa delle continue cariche e scariche.

Prima dell'avviamento, verificare l'assenza di danni fisici alla batteria e il livello dell'elettrolito e, se necessario, rabboccare con acqua distillata fino alla tacca superiore. Quando si scopre un danno effettivo, sostituire immediatamente la batteria. Le batterie sono coperte da una garanzia di 12 mesi dalla data di acquisto originale.

RIMESSAGGIO

Se il generatore deve essere messo in magazzino per lungo tempo, è necessario effettuare i seguenti preparativi.

1. Far funzionare il motore diesel per circa 10 minuti senza carico e fermarlo.
2. Attendere circa 10 minuti e, con il motore è ancora caldo, scaricare l'olio motore, quindi rabboccare con nuovo olio motore 10W30.
3. Estrarre il tappo rosso sul coperchio della testata del motore diesel e aggiungere 2 ml di olio lubrificante nel cilindro.
4. Predisposizione della posizione di avviamento
Avviamento manuale (solo per il tipo a telaio aperto)
Portare la leva in posizione "RUN" Premere l'impugnatura rossa di riduzione della pressione (posizione di non compressione), tirare l'impugnatura

RISOLUZIONE DEI PROBLEMI

Problema	Causa	Soluzione
Il motore non si avvia.	Manca carburante.	Aggiungere carburante.
	L'interruttore non è in posizione "ON"	Ruotarlo in posizione "ON"
	La pompa del carburante ad alta pressione, l'iniettore non riesce a iniettare o la quantità di carburante è insufficiente.	Rimuovere l'iniettore e ripararlo o spurgare il sistema di iniezione dal carburante.
	La leva di controllo della velocità non è in posizione "RUN".	Portare la leva di controllo in posizione "RUN"
	Controllare il livello dell'olio	Aggiungere olio, se necessario
	La velocità e la forza per tirare l'avviamento a strappo non sono sufficienti.	Avviare il motore diesel secondo i requisiti della procedura operativa di avviamento.
	L'iniettore è sporco o bloccato	Pulire o sostituire l'iniettore
	La batteria è scarica	Ricaricare o sostituire
Il motore non si avvia con il telecomando.	La chiave di accensione non è in posizione "ON"	Controllare i punti 1-3 delle istruzioni del telecomando
	La leva non è in posizione "RUN"	Controllare i punti 1-3 delle istruzioni del telecomando
	Livello di olio o carburante basso	Aggiungere olio o carburante, se necessario
Il motore è in funzione ma non produce alimentazione.	L'interruttore automatico della CA è disattivato	Posizionare l'interruttore generale CA su "ON".
	Il Contatto della presa è difettoso	Regolare i piedini della presa
	Non è possibile raggiungere la velocità nominale del generatore	Regolare il regolatore del motore in base ai requisiti
	Altro.	Contattare l'assistenza tecnica service@bpeholdings.co.uk .

NOTA: Durante la saldatura, se l'elettricità è troppo elevata per il saldatore o il motore si spegne per sovraccarico durante la saldatura, il regolatore automatico del voltaggio (AVR) potrebbe danneggiarsi o andare in cortocircuito.

GARANZIA

In Warrior siamo consapevoli dell'importanza della garanzia per l'assistenza e la riparazione; ora offriamo una garanzia standard di 2 anni (generatori diesel Warrior) senza la necessità di registrare l'acquisto. Abbiamo ancora la possibilità di registrare il prodotto per i clienti che desiderano utilizzare il sito web e tenersi in contatto con noi.

Visualizzare le limitazioni di seguito e di leggere i Termini & Condizioni complete sulla garanzia offerta per un determinato prodotto.

Per poter presentare il reclamo è sufficiente una copia della prova d'acquisto originale o una fattura fornita dal Rivenditore al momento dell'acquisto. Si prega di conservare la prova d'acquisto per tutta la durata della garanzia. Nell'improbabile caso in cui abbiate bisogno del nostro supporto tecnico vi chiederemo di fornircela per ogni richiesta, in quanto senza una prova d'acquisto, le richieste di garanzia potranno subire ritardi nell'evasione o venire rifiutate.

Garanzia di riparazione/sostituzione

I generatori diesel di marca Warrior garantiscono all'acquirente originale fino a 2 anni di uso domestico durante il quali i componenti meccanici ed elettrici saranno privi di difetti di materiale e di fabbricazione per un periodo di un (1) anno [ricambi e manodopera] e per un periodo di due (2) anni [solo ricambi] dalla data originale di acquisto o 1000 ore utilizzo, a seconda di quale evento si verifichi prima.

Uso industriale e commerciale Un (1) anno [ricambi e manodopera] o 500 ore di utilizzo, a seconda di quale evento si verifichi prima.

Le spese di trasporto sul qualsiasi prodotto inviato per la riparazione o la sostituzione sotto questa garanzia sono di esclusiva responsabilità dell'acquirente. Questa garanzia si applica solo all'acquirente originale e non è trasferibile.

Non restituire l'unità al luogo di acquisto

Si prega di contattare il servizio tecnico Warrior e saremo in grado di risolvere qualsiasi problema per telefono o via e-mail. Se il problema non viene corretto con questo metodo, Warrior autorizzerà, a sua discrezione, la valutazione, la riparazione o la sostituzione della pezzo o del componente difettoso presso un centro di assistenza Warrior. Se e quando un prodotto deve essere sostituito, lo sarà a parità di condizioni e non in base al rapporto vecchio/nuovo. Warrior fornirà un numero di pratica per l'assistenza in garanzia, che potrà essere monitorata attraverso l'account di accesso. Si prega di conservarlo quale riferimento futuro. Riparazioni o sostituzioni senza autorizzazione preventiva, o presso una struttura di riparazione non autorizzata, non saranno coperte da questa garanzia. Sono previste esclusioni dalla garanzia per i clienti al di fuori del Regno Unito, si prega di consultare i nostri Termini e Condizioni.

Esclusioni di garanzia

La presente garanzia NON copre quanto segue:

Usura normale

Per un corretto funzionamento, questo prodotto ha bisogno di ricambi e assistenza periodica. Questa garanzia non copre la riparazione quando l'uso normale ha esaurito la vita utile di un componente o dell'apparecchiatura nel suo insieme.

Installazione, uso e manutenzione

Questa garanzia non si applica alle parti o alla manodopera se si ritiene che il prodotto sia stato usato male, trascurato, coinvolto in un incidente, usato in modo improprio, sottoposto a carichi oltre i limiti previsti del generatore, modificato, installato in modo improprio o collegato in modo errato a qualsiasi componente elettrico. La normale manutenzione non è coperta da questa garanzia.

Altre esclusioni

Questa garanzia esclude:

- difetti cosmetici come vernice, adesivi, ecc.
- parti usurate, compresi pistoni e fasce, candele e filtri
- parti accessorie, comprese ruote e gruppi di avviamento a strappo
- guasti dovuti a cause di forza maggiore e altri eventi fuori dal controllo del produttore.
- problemi causati da parti che non sono originali Warrior Power Equipment.
- alterazioni o modifiche apportate da terzi diversi dal produttore, compresi i sistemi di estensione e filtraggio degli scarichi.
- tutti i tubi flessibili in plastica o gomma, le valvole riduttrici e i regolatori
- qualsiasi apparecchiatura elettrica di terzi

Batteria 12v

- Tutte le batterie fornite da più di 1 anno.

Interruttore di trasferimento (TS) adeguato

Qualsiasi sistema MTS (Manual Transfer) e ATS (Automatic Transfer) diverso da quelli forniti da noi come WARRIOR o Warrior non sarà considerato idoneo e invaliderà tutte le garanzie fornite. Vi preghiamo di contattarci prima di installare un sistema di trasferimento.

Limiti della garanzia implicita e danni consequenziali

Winch Solutions Ltd (CG) declina ogni obbligo di coprire qualsiasi perdita di tempo, uso di questo prodotto, trasporto, o qualsiasi reclamo per costi incidentali o consequenziali da parte di chiunque utilizzi di questo prodotto.

LA PRESENTE GARANZIA SOSTITUISCE TUTTE LE ALTRE GARANZIE, ESPRESSE O IMPLICITE, COMPRESSE LE GARANZIE DI COMMERCIALITÀ O DI IDONEITÀ A UNO SCOPO PARTICOLARE.

Un'unità fornita come sostituzione sarà soggetta alla garanzia dell'unità originale. La durata della garanzia dell'unità in sostituzione rimarrà calcolata in riferimento alla data di acquisto dell'unità originale. La presente garanzia conferisce all'utente alcuni diritti legali che possono variare da paese a paese. Il vostro Paese potrebbe anche avere altri diritti a cui potreste avere titolo che non sono elencati nella presente garanzia.

INTRODUCCIÓN

Gracias por comprar nuestro producto.

Este producto está cubierto por la garantía en casos de fabricación defectuosa durante un período de 24 meses o 1000 horas de funcionamiento a partir de la fecha de compra. Guarde su recibo como prueba de compra. Los términos y condiciones completos se pueden encontrar en la página de la garantía de este manual o en nuestro sitio web www.championpowerequipment.co.uk

Esta garantía será anulada si se descubre que se ha hecho un mal uso del producto o ha sido modificado/manipulado de alguna manera, o si no se ha utilizado para el uso/propósito para el que fue destinado. **Los productos defectuosos no deben devolverse al lugar de compra.** El generador debe devolverse al proveedor del producto. Ningún producto puede ser devuelto sin permiso previo, los gastos de devolución de los generadores son responsabilidad exclusiva del usuario/propietario. Esta garantía no afecta a sus derechos legales.

Al contactar con WPE en relación con piezas y/o servicio técnicos, deberá facilitar los números de modelo y de serie completos de su producto. Transcriba a la siguiente tabla la información indicada en la placa de características de su producto.

EQUIPO DE ASISTENCIA TÉCNICA DE WPE
service@bpeholdings.co.uk
NÚMERO DE MODELO
NÚMERO DE SERIE
FECHA DE COMPRA
LUGAR DE COMPRA

IMPORTANTE

1. Los niños deben mantenerse a una distancia segura del generador y NUNCA se les debe permitir utilizarlo.
2. Su nuevo generador necesita una interrupción en el período de aproximadamente 10-20 horas sin que se aplique más del 75 % de carga máxima. Después de las primeras 20 horas el aceite DEBE ser cambiado, aceite recomendado 10W30 parcialmente o totalmente sintético. Se pueden encontrar tipos alternativos de aceite en la tabla de aceite más adelante en el manual en el apartado de mantenimiento. No toque el motor o el silenciador mientras el generador está en funcionamiento. Preste atención a las pegatinas de advertencia y precaución en el generador.
3. El equipo eléctrico (incluido el cable y el componente de conexión del enchufe) debe estar en buenas condiciones y debe inspeccionarse antes de su uso.
4. Si se reemplaza el disyuntor, debe ser equivalente o mejor en especificación del que se va a quitar.
5. Debido a la alta tensión mecánica, solo se recomienda el uso de cables revestidos de goma.
6. Cuando se utilicen cables de extensión o armarios de distribución móviles, el cable con sección transversal de 1,5 mm² no debe tener más de 50 metros; y para la sección transversal de 2,5 mm², el cable no debe tener más de 100 metros de longitud.
7. Con el arranque manual, utilice siempre la palanca de descompresión. (SOLO en el tipo de bastidor abierto)
8. En condiciones ambientales de trabajo estándar (de menos 5 a 40 grados centígrados), el generador se puede utilizar con cargas de funcionamiento normales. Si las condiciones de trabajo no son normales, ya sea demasiado altas o demasiado bajas, el generador debe funcionar a una salida más baja de no más del 75 % de carga máxima. Cuando la temperatura, la altitud y la humedad son más altas que las condiciones de trabajo estándar, el generador DEBE reducir la carga de salida a no más del 75 % de carga máxima.
9. Antes de cualquier inspección o mantenimiento del generador, el motor debe detenerse y dejarse enfriar durante un mínimo de 30 minutos. Compruebe y mantenga el generador de acuerdo con la tabla de períodos y la hoja de programación del manual.
10. Excepto el mantenimiento o limpieza diaria, cualquier inspección o reajuste debe ser realizado por una persona profesional autorizada y obtener los componentes originales solicitados por ellos del proveedor. (Póngase en contacto con sus distribuidores locales).
11. Su máquina recién revisada debe soportar un período de rotura de al menos 10 horas, la salida no debe exceder el 75 % de la carga máxima.

CARACTERÍSTICAS

El generador diésel WPE posee las siguientes características:

Este generador diésel de la serie adopta un tipo súper ligero, refrigerado por aire, motor diésel de inyección directa de 4 tiempos y tiene dos opciones de arranque:

1. Arranque de retroceso
2. Arranque eléctrico.

Están equipados con tanque de combustible de gran capacidad, protector de circuito, salidas de voltaje A.C y, a veces, D.C, alarma de baja presión de aceite y dispositivo de parada automática.

El generador diésel sirve como fuente de alimentación de reserva de UPS en muchas aplicaciones diferentes, incluido el sitio de trabajo abierto, la construcción y el ejército de campo. Alimentación de emergencia de granja avícola, pesca, silvicultura, jardín, hotel, tienda y oficina.

Este manual de instrucciones le indica cómo utilizar y dar servicio a su nuevo generador diésel. Léalo antes de usar el generador diésel para garantizar una correcta manipulación y funcionamiento. Seguir estas instrucciones cuidadosamente mantendrá su generador diésel en las mejores condiciones de funcionamiento, lo que permitirá prolongar la vida útil de su generador diésel.

Si tiene alguna pregunta sobre su nuevo producto o alguna de la información proporcionada en este manual, póngase en contacto con service@bpeholdings.co.uk.

PARÁMETROS

Los generadores pueden generar energía especificada cuando se utilizan en las siguientes condiciones:

Altitud: < 1000m

Temperatura ambiente: 5 a 40°C

Humedad relativa: <90 %

ADVERTENCIA

Los escapes/silenciadores y gases están muy calientes al tacto. NO añada ni instale ninguna extensión de escape/silenciador, al hacerlo anulará cualquier garantía ofrecida.

Prevención de quemaduras

NUNCA toque o manipule el escape/silenciador ni el motor cuando el generador esté en funcionamiento o caliente, deje siempre aproximadamente 30 minutos para que el escape/silenciador y el motor se enfríen antes de manipularlo.

IMPORTANTE

Lea y comprenda este manual de instrucciones para asegurar una utilización segura y preste mucha atención a los siguientes puntos principales de operación, de lo contrario puede causar lesiones personales y daños al equipo.

Prevención de incendios

El combustible de este motor diesel es combustible diesel ligero, por lo que NUNCA se debe usar gasolina, queroseno o biodiesel, etc. No se recomienda el diésel con colorantes y, si se usa, se recomienda encarecidamente el mantenimiento mensual, de lo contrario, se degradará el rendimiento del motor y(o) se dañará el motor.

El combustible del motor diésel es combustible diésel ligero, por lo que NUNCA debe usarse gasolina, queroseno, biodiésel, etc..

Limpie todos los derrames de combustible con un paño limpio. Mantenga la gasolina, el queroseno, los fósforos y otros explosivos y sustancias inflamables lejos del generador, ya que la temperatura alrededor del silenciador de escape es muy alta durante la operación. Para prevenir el riesgo de incendio y proporcionar una ventilación adecuada, mantenga el generador al menos a 1,5 metros de distancia de edificios, estructuras y otros equipos durante la operación.

Utilice el generador en una superficie plana, puede haber derrame de combustible o mal funcionamiento si el generador está inclinado.

ADVERTENCIA

NUNCA utilice el generador en vatios MAX durante más de diez (10) minutos, al hacerlo, hará que el motor se sobrecaliente y luego se detenga; arriesgándose a un incendio. En caso de que esto suceda, detenga inmediatamente el generador y déjelo enfriar durante un mínimo de 30 minutos.

Prevención de la inhalación de gases de escape

Los gases de escape contienen monóxido de carbono venenoso. Use siempre el generador en ubicaciones al aire libre como mínimo a 1,5 m de distancia de ventanas, puertas o aberturas.

Los generadores nunca deben usarse en interiores, garajes, cabinas, edificios externos, cobertizos o espacios confinados, incluidos vehículos y compartimentos de vehículos.

Descargas eléctricas, cortocircuitos

Para evitar descargas eléctricas o cortocircuitos, no toque el generador, cuando esté mojado o lo estén sus manos.

Este generador no es impermeable, por lo que NUNCA debe usarse en un lugar expuesto a la lluvia, la nieve o los aerosoles de agua. El generador debe estar conectado a tierra para evitar descargas eléctricas. Conecte una longitud de cable pesado entre el terminal de tierra del generador y un dispositivo de tierra externo, varilla de tierra o estaca, con una profundidad mínima de 200 mm.

No conecte ningún equipo al generador antes de arrancarlo.

⚠️ ADVERTENCIA

La mayoría de los motores de dispositivos requieren más de su potencia nominal para la puesta en marcha. No exceda el límite de corriente especificado para ninguna toma de corriente. NUNCA sobrecargue ni haga funcionar el generador durante largos períodos de tiempo con el máximo de vatios. Si el generador muestra signos de sobrecalentamiento, PARE inmediatamente y deje que se enfríe durante un mínimo de 30 minutos.

Carga de la batería

El electrolito de la batería contiene ácido sulfúrico. Proteja sus ojos, piel y ropa. En caso de contacto, enjuague bien con agua y reciba atención inmediata, especialmente si sus ojos están afectados.

Las baterías generan gas hidrógeno, que puede encender o prender chispas al estar cerca de una batería, especialmente durante la carga.

Cargue la batería en un área totalmente ventilada.

⚠️ ADVERTENCIA

Sepa cómo parar el generador rápidamente y comprenda cómo utilizar todos los controles. Nunca permita que nadie utilice el generador sin la instrucción adecuada.

Siempre use un casco, zapatos de seguridad y ropa adecuada. Mantenga a las mascotas y los niños alejados del generador cuando esté en funcionamiento.

PREPARACIÓN ANTES DEL ARRANQUE

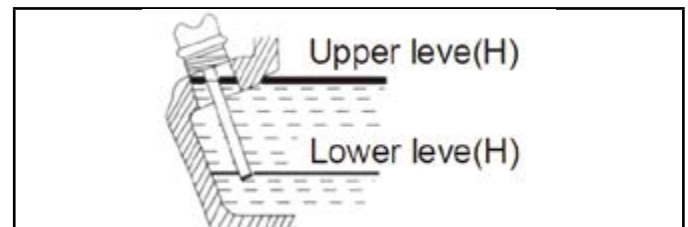
Selección y manejo de combustible

- Solo se puede utilizar combustible diésel ligero.
- El combustible debe ser filtrado.
- El combustible no debe tener agua o polvo porque estos pueden contaminar el sistema de inyección de combustible.

- No sobrepase la parte superior del tapón rojo dentro del filtro del tanque de combustible al llenarlo, use el medidor de combustible en la parte superior del tanque.
- No fume ni permita chispas en el área donde se reabastece el motor o donde se almacena la gasolina.
- No derrame combustible al repostar, asegúrese de que la tapa del filtro esté bien cerrada.

Selección y manejo de aceite

- Instale el generador sobre una superficie nivelada.
- Llene el aceite de motor por la entrada.
- Para comprobar el nivel de aceite, simplemente sumerja la varilla medidora en la sartén. No gire la varilla medidora al hacer la comprobación.



🗨️ AVISO

Nada afecta más el rendimiento y la durabilidad del generador que el aceite que utiliza. Si se utiliza un aceite inferior o si el aceite de su motor no se cambia regularmente, el riesgo de convulsión del pistón, adherencia del anillo del pistón y desgaste acelerado de la camisa del cilindro, los rodamientos y otros componentes móviles aumenta significativamente.

- Asegúrese de comprobar el nivel de aceite y rellenar con aceite al nivel especificado antes de arrancar el generador, aunque esté equipado con un sistema de advertencia de baja presión de aceite.
- Si su generador no arranca antes del 5º intento o arranca y se corta, su nivel de aceite es bajo y necesita recargarse.

🗨️ AVISO

El aceite debe cambiarse después de las primeras 10 horas (o 1 mes) de uso y, luego, cada 3 meses o 100 horas de uso.

Drene siempre el aceite mientras el motor está templado pero no caliente. Es difícil drenar el aceite por completo después de enfriarlo.

Como regla general, el aceite está lleno cuando se pueden ver visualmente en las roscas medias y superiores del puerto. No llene en exceso, de lo contrario, esto dará como resultado un rendimiento degradado del motor y posibles daños en el mismo.

⚠ ADVERTENCIA

NUNCA añada o intente cambiar aceite en el generador mientras el motor está funcionando.

Compruebe el filtro de aire

- Afloje la tuerca del ala, desmonte la cubierta del filtro de aire y retire el elemento. No lave el elemento del filtro de aire con detergente. Use agua o gasolina (DEBE dejar secar antes de reemplazar).
- El elemento del filtro de aire debe cambiarse cuando la salida del motor disminuye o el color del escape es anormal.
- Nunca haga funcionar el generador sin el elemento del filtro de aire. Esto puede causar un rápido desgaste del motor.
- Vuelva a colocar la cubierta del filtro de aire y apriete la tuerca del ala.

Asegúrese de que no haya carga en el generador

- Apague el disyuntor principal y cualquier otra carga.
- Asegúrese de apagar el disyuntor principal antes de encender el generador. Si el interruptor no está en la posición «APAGADO», la aplicación repentina de carga podría ser muy peligrosa, cuando se arranca el motor diésel.
- El generador debe estar conectado a tierra para evitar descargas eléctricas. (Recomendado).

Manejo del generador de doble voltaje

- Operación de cambio sobre interruptor: El disyuntor de CA en el panel de control debe ajustarse a la posición «APAGADO» antes de hacer funcionar la máquina. Después de encender el generador, permita que la velocidad alcance las RPM nominales y luego gire el disyuntor de CA a la posición «ENCENDIDO», de modo que los enchufes receptivos se puedan usar para operar el equipo.
- NUNCA intente cambiar entre voltajes cuando el disyuntor de CA esté ENCENDIDO y el equipo enchufado.
- Ajuste el disyuntor de CA principal a la posición «APAGADO» cuando utilice la fuente de alimentación de 12v DC.

Compruebe si hay cámara de descompresión**⚠ ADVERTENCIA**

La GASOLINA y el ACEITE del motor se drenan de fábrica antes del transporte. Los generadores están secos para su almacenamiento.

- Compruebe si hay una esclusa de aire en la tubería de combustible y descubra si hay aire mezclado en la tubería, en caso afirmativo, drene el aire de la tubería antes de repostar y encienda el motor diésel.
- El filtro de combustible debe estar lleno como mínimo al 75 %, si no, podría haber aire en el sistema.
- El método para eliminarlo es aflojar la conexión de la tuerca de la glándula de 17 mm entre la bomba de inyección y la tubería de latón de alta presión, colocar la palanca de funcionamiento en la posición «EJECUTAR» y girar el motor hasta que el combustible comience a salir.
- Reemplace y vuelva a apretar la glándula de 17 mm y repita el proceso si el motor aún no arranca.

FUNCIONAMIENTO**Función de Precalentador**

Este generador está equipado con una función de botón de Precalentador para temperaturas frías inferiores a 0°C. Esta característica está diseñada para calentar el motor y el aceite primero utilizando la energía de 12 V CC proporcionada por la batería antes de arrancar el motor.

Si la temperatura exterior es inferior a 0°C, es recomendable utilizar primero el botón de función del Precalentador antes de encender el motor.

1. Gire la llave de encendido a la posición 'ON'
2. Mantenga presionado el botón del Precalentador durante un mínimo de 5 segundos hasta que aparezca la luz de iluminación roja fija.
3. Suelte el botón y encienda el generador normalmente con la llave o el control remoto (Solo modelos con control remoto inalámbrico)

Si el generador no se enciende, repita los pasos 1-3 como máximo solo 3 veces, si el generador no se enciende después de 3 intentos, comuníquese con su agente de servicio local.

Sistema de advertencia de aceite bajo

- El dispositivo funciona para detener el motor automáticamente cuando la presión del aceite cae por debajo del nivel reglamentario y evitará que el

motor se ahogue cuando el aceite del motor se está agotando o se pierde la presión del motor.

- La temperatura del aceite aumentará si el motor se utiliza con una cantidad insuficiente de aceite. Por otro lado, demasiado aceite es peligroso porque el aceite puede quemarse y causar un aumento repentino y excesivo de las rpm del motor, por lo que antes de operar la máquina todos los días, asegúrese de comprobar el aceite y llenar el aceite al nivel especificado si es necesario.

Luz de Advertencia de Bajo Nivel de Aceite

Su generador está equipado con una luz de advertencia de bajo nivel de aceite. Si la luz se ilumina en "Rojo fijo", significa que su generador requiere que se le agregue aceite de inmediato.

1. Pare el uso corriente inmediatamente y apague el motor y deje que se refresque por aproximadamente 10-15mins.
2. Retire la varilla medidora de nivel de aceite y límpiela.
3. Agregue aceite, usando un embudo de aceite (no provisto) y verifique con la varilla medidora de nivel de aceite (como regla general, el aceite está lleno cuando se puede ver visualmente en las roscas media/superior del puerto). Si usa la varilla medidora de aceite, NUNCA atornille la varilla medidora de nivel de aceite para tomar una lectura, simplemente repóselas contra la parte superior del puerto y vea la lectura.
4. Vuelva a atornillar la varilla de nivel de aceite
5. Encienda el motor durante 10 minutos sin ninguna carga, permitiendo que el aceite circule por completo.
6. Verifique el nivel de aceite nuevamente

Si no se agrega la capacidad de aceite recomendada, puede aumentar el desgaste del motor y(o) dañar el motor.

Abra la puerta y la cubierta del gabinete.

Abra la puerta del gabinete, levante la puerta y compruébelo diariamente.

1. Gire el asa en sentido contrario a las agujas del reloj para abrir la puerta del gabinete.
2. Gire el asa en sentido contrario a las agujas del reloj para abrir la puerta del gabinete.

Operación de ruptura

Aunque su generador aún es nuevo, la aplicación de cargas pesadas puede acortar la vida útil del motor. Siga los procedimientos de ruptura durante las primeras 20 horas.

1. Evite aplicar cualquier carga pesada durante el período de ruptura.
2. Cambie el aceite del motor regularmente. Cambie el aceite del motor cada 20 horas o un mes después del uso inicial, y cada 3 meses o 100 horas a partir de entonces.
3. Si se usa en clima cálido o cargas altas, cambie el aceite cada 100 horas o 1 mes.

Arrancar el generador

Arranque de retroceso (solo tipo de bastidor abierto)

1. Abra la llave de combustible (en la posición «ENCENDIDO»).
2. Ponga la palanca de velocidad del motor en la posición «EJECUTAR».
3. Saque el mango de arranque de retroceso.
4. Tire del mango hasta el punto en el que nota una fuerte resistencia y luego vuelva a colocarlo en la posición inicial.
5. Empuje hacia abajo la palanca de descompresión. (Volverá automáticamente cuando se tire del arrancador de retroceso).
6. Saque el mango de arranque de retroceso enérgicamente con ambas manos.
7. No permita que la empuñadura del mango retroceda contra el motor. Vuélvalo a poner suavemente para evitar dañar el motor de arranque.

ADVERTENCIA

NUNCA saque o toque el retroceso cuando el motor diésel esté funcionando, de lo contrario dañará el motor. (Solo tipo de bastidor abierto)

8. En climas fríos, cuando el motor diésel es difícil de arrancar, retire el tapón rojo de la cubierta de balancines y agregue 2 cc de aceite de motor.
9. Vuelva a colocar el tapón rojo antes de comenzar.
10. Mantenga siempre el tapón rojo en la cubierta, excepto cuando agregue aceite, de lo contrario, la lluvia, la suciedad y otros contaminantes pueden entrar en el motor y causar un desgaste acelerado de las piezas internas del motor. Esto, a su vez, puede causar serios problemas en el motor.

Arranque eléctrico

1. Gire la llave de contacto en el sentido de las agujas del reloj a la posición «ENCENDIDO».
2. Ponga la palanca de velocidad del motor en la posición «EJECUTAR».
3. Gire la llave de contacto en sentido de las agujas del reloj a la posición «Iniciar».

4. Retire la mano de la llave tan pronto como arranque el motor y deje que la llave regrese automáticamente a la posición inicial de «ENCENDIDO».
5. Para el arranque en clima frío, consulte la Función de Precalentador
6. Si el motor de arranque no se activa y enciende el motor después de 10 segundos, espere unos 30 segundos antes de intentar arrancar de nuevo y repita este proceso.

ADVERTENCIA

Tenga en cuenta: NUNCA mantenga la llave en la posición de arranque durante más de 10 segundos, suéltela y vuelva a intentarlo si el motor no arranca a la primera, de lo contrario, se puede dañar el motor de arranque.

Si el motor de arranque está funcionando durante demasiado tiempo, agotará la batería.

Batería

Compruebe el nivel del líquido de la batería una vez al mes. Cuando el nivel desciende a la marca superior inferior, reponga con agua destilada hasta la marca superior.

Si el líquido de la batería está bajo, el motor puede no arrancar porque llega muy poca electricidad al motor de arranque. Mantenga siempre el nivel de líquido entre el nivel superior y el nivel inferior.

Si se aplica demasiado líquido de batería, el fluido puede derramarse y corroer las partes circundantes. NO llene en exceso.

Las baterías solo están cubiertas por una garantía de 1 año a partir de la fecha original de compra.

Uso del generador

1. Calentar el motor sin carga durante unos 3 minutos.
2. Nuestro generador está equipado con un sistema de advertencia de nivel de aceite bajo. El motor se detendrá automáticamente en caso de baja presión de aceite o escasez de aceite de lubricación. El motor se detendrá inmediatamente si se reinicia sin una recarga de aceite de lubricación. Comprobar el nivel de aceite y rellenarlo
3. No afloje ni reajuste el perno limitante de velocidad del motor ni el perno limitante de inyección de combustible (se han configurado de fábrica), de lo contrario, el rendimiento y la economía de combustible se verán afectados.
4. Para aceite bajo, consulte la luz de advertencia de Aceite Bajo..

5. Si no se agrega la capacidad de aceite recomendada, puede aumentar el desgaste del motor y(o) dañar el motor.

Comprobación durante el funcionamiento

1. ¿Algún sonido o vibración anormal?
2. El motor falla o funciona mal.
3. ¿Qué pasa con el color de los gases de escape? (¿Es negro o demasiado blanco?)

Si nota alguno de los fenómenos anteriores, detenga el motor y consulte a su distribuidor más cercano o póngase en contacto con el soporte técnico en service@bpeholdings.co.uk.

Funcionamiento CA

1. Encienda el motor y asegúrese de que la luz piloto «VERDE» se encienda. Si no lo hace, el filamento puede quemarse.
2. La velocidad del generador debe alcanzar la velocidad nominal (palanca en la parte superior).
3. La carga se puede agregar al generador cuando el voltímetro indicador en el panel muestra el voltaje seleccionado. La tolerancia de voltaje puede variar entre +-10
4. Enchufe el aparato.

ADVERTENCIA

No inicie dos o más máquinas simultáneamente. Arránquelas una por una. No utilice proyectores junto con otras máquinas.

5. Asegúrese de que todos los equipos estén en buenas condiciones de funcionamiento antes de conectarlos al generador.
6. Si un aparato o equipo comienza a funcionar de manera anormal, se vuelve lento o se detiene repentinamente, apague el generador de inmediato. A continuación, desconecte el aparato y examínelo en busca de signos de mal funcionamiento.
7. Si la sobrecarga del circuito hace tropezar el protector del circuito de CA, reduzca la carga eléctrica en el circuito y espere unos minutos antes de reanudar la operación.
8. Si el voltímetro de la pantalla LCD es demasiado bajo o demasiado alto, detenga la máquina y examínela en busca de la causa del fallo.
- 9.

Funcionamiento CD

El terminal de CD se puede usar para cargar baterías de tipo automovilístico de 12 V solamente.

1. Cuando utilice baterías tipo automóvil con cables de batería, asegúrese de desconectar el cable de la batería del polo negativo de la batería antes de cargarla.
2. Arrancar el motor.
3. Conecte el cable de carga a los terminales de la batería y los terminales de CD del generador.

Conecte el terminal positivo de la batería al terminal positivo del generador. No invierta los cables de carga, o se pueden producir daños graves en el generador y/o la batería.

No permita que los extremos libres del cable se toquen entre sí. Si esto ocurre, se producirá un cortocircuito en la batería.

Cuando se carga una batería de gran capacidad, fluye una corriente excesiva (el valor varía según las condiciones de descarga) y se quemará el fusible de la corriente continua.

4. Las baterías producen gases explosivos. Mantenga alejadas las chispas, las llamas y los cigarrillos. Para evitar la posibilidad de crear una chispa cerca de la batería, conecte siempre los cables de carga primero a la batería y una vez hecho esto, al generador. Al desconectar, primero debe desconectar los cables del generador.
5. Cargue la batería en una zona bien ventilada. Antes de cargar, retire la tapa de cada celda de la batería. Interrumpa la carga si la temperatura del electrolito supera los 45 °C.

ADVERTENCIA

No intente arrancar el motor de un automóvil mientras el generador aún está conectado a la batería.

NUNCA intente usar CD de 12 voltios y CA al mismo tiempo.

3. Empuje hacia abajo la palanca de parada o gire la llave de contacto en sentido contrario a las agujas del reloj a la posición «APAGADO».

ADVERTENCIA

Si el motor sigue funcionando incluso después de presionar la palanca de velocidad en la posición «Parar», gire la llave de encendido a la posición «APAGADO». NUNCA intente detener el motor con la palanca de descompresión (solo tipo de bastidor abierto)

Control remoto (si corresponde)

El generador se puede iniciar o detener de forma remota mediante un transmisor inalámbrico

1. Asegúrese de que la palanca esté en la posición «EJECUTAR»
2. Deje la llave de encendido en la posición «APAGADO» (sin giro en el sentido de las agujas del reloj).
3. Para arrancar el motor, presione y mantenga presionado el botón «A» en el transmisor durante aproximadamente 3-5 segundos.
4. Si el generador no arranca, repita los pasos 1 a 2 y vuelva a intentarlo.
5. Para detener el motor, presione el botón «B» en el transmisor.

ADVERTENCIA

En el modo de arranque con llave eléctrica: Después de que el generador se detenga o no esté en uso, DEBE girar la llave de encendido a la posición «APAGADO»; de lo contrario, la batería se descargará con el tiempo.

Parar el generador

1. Apague el disyuntor de CA.
2. Deje la palanca de velocidad del motor en la posición «EJECUTAR», opere el motor sin carga durante aproximadamente 3 minutos, NO detenga el motor repentinamente porque esto puede hacer que la temperatura aumente anormalmente y hacer que la boquilla se dañe y se apodere del motor.

⚠ ADVERTENCIA

Si el generador no arranca después de 3 intentos, se deben REPETIR los pasos 1 a 3, así como también se debe verificar el mantenimiento general del nivel de aceite y el nivel de combustible.

Nunca permita que nadie que no sea el propietario o el usuario arranque o detenga el generador de forma remota utilizando el transmisor inalámbrico. Arrancar y parar constantemente el generador dañará los componentes o equipos eléctricos/ electrónicos y también provocará un mayor desgaste del motor.

Si el generador no arranca en absoluto después de muchos intentos, es posible que haya un mal funcionamiento o un fallo y deberá ponerse en contacto con su centro de servicio local en el service@bpeholdings.co.uk.

⚠ ADVERTENCIA

NUNCA haga funcionar el generador con vatios MÁXIMOS durante más de 10 minutos, al hacerlo hará que el motor comience a detenerse y se sobrecaliente con riesgo de incendio, detenga inmediatamente el generador y deje que se enfríe durante un mínimo de 30 minutos.

MANTENIMIENTO

La revisión y el mantenimiento periódicos son muy importantes para mantener el motor en buenas condiciones. Lea la descripción detallada del manual de uso de cada pieza.

Apague el motor antes de realizar cualquier mantenimiento. Si debe utilizar el motor, asegúrese de que el área esté bien ventilada. El escape contiene gas de monóxido de carbono venenoso.

Después de que se haya utilizado el motor, límpiolo inmediatamente con un paño para evitar la corrosión y eliminar los sedimentos.

Recommended Engine Oil Type	
	10W-30
	5W-30
	10W-40
	5W-30 Full Synthetic
°F	-20 0 20 40 60 80 100 120
°C	-28.9 -17.8 -6.7 4.4 15.6 26.7 37.8 48.9
Ambient temperature	

DIARIO

- Comprobar el nivel de aceite
- Comprobar y reponer combustible
- Comprobar si hay fugas de aceite
- Revisar y apretar las piezas del motor si están sueltas

PRIMERAS 20 HORAS

- Cambiar el aceite
- Drene el tanque de combustible.
- Ajuste la holgura de la válvula para las válvulas de admisión y escape*
- Válvulas de admisión y escape de vuelta*

MENSUAL

- Comprobar el líquido de la batería
- Comprobar el filtro de aire

CADA 100 HORAS O 3 MESES

- Aceite de cadena
- Filtro de aceite limpio

CADA 300 HORAS O 6 MESES

- Apretar los pernos de cabeza en el motor*
- Reemplazar el filtro de aceite
- Reemplazar el filtro de aire.
- Limpiar el filtro del combustible
- Comprobar la bomba de inyección de combustible*
- Comprobar la boquilla de inyección de combustible*
- Compruebe la tubería de combustible
- Ajustar la holgura de la válvula para las válvulas de admisión y escape*

CADA 1000 HORAS O ANUALMENTE

- Reemplazar el filtro del combustible
- Válvulas de admisión y escape de vuelta*
- Reemplazar los anillos de pistón*

CADA 3 AÑOS

- Sustituir el conducto de combustible*

*Special tools or skills are required - please do not attempt yourself - consult Technical Support on service@bpeholdings.co.uk. Charges may apply.

Cambiar el aceite de motor (cada 100 horas)

Retire el tapón de llenado de aceite. Retire el tapón de drenaje y drene el aceite usado mientras el motor aún está caliente. El tapón de drenaje de aceite está ubicado en la parte inferior del bloque del motor junto al filtro de aceite. Rellene con el aceite recomendado 10W/30 parcialmente o no sintético.

Limpieza del filtro de aceite (cada 300 horas)

Afloje el perno de 10 mm y retire el filtro de aceite (ubicado en la parte inferior del bloque del motor junto al tapón de drenaje de aceite). Limpie con agua o gasolina y NO utilizar detergentes.

Cambio del elemento del filtro de aire (cada 300 horas)

No lave el elemento del filtro de aire con detergente porque es un elemento de tipo seco, use agua o gasolina. Deje que se seque por completo antes de volver a colocarlo.

⚠ ADVERTENCIA

Nunca arranque el motor sin el elemento o con un elemento defectuoso. Cambie el elemento a tiempo

Limpieza y reemplazo del filtro de combustible (Cada 300 horas)

El filtro de combustible también debe limpiarse regularmente para asegurar la máxima eficiencia del motor.

1. Drene el combustible (diésel) del tanque de combustible.
2. Afloje los clips pequeños de las mangueras. Retire el filtro de combustible y lávelo a fondo con combustible diésel (SÓLO). Retire la contratuerca, la tapa del extremo y los discos difusores y limpie el depósito de carbón.
3. Si usa diésel con tinte, los filtros DEBEN cambiarse cada 100 horas o 1 mes. El sistema de inyección de combustible DEBE limpiarse cada 300 horas.

Comprobación y reposición del líquido de la batería y la carga y la batería (mensual)

Este motor diésel utiliza una batería de 12v. El fluido de la batería se perderá a consecuencia de la carga y descarga continuas.

Antes de comenzar, compruebe si hay daños físicos en la batería y también en el nivel de electrolitos, y reponga con agua destilada hasta la marca superior si es necesario. Cuando se descubra un daño real, reemplace la batería inmediatamente. Las baterías solo están cubiertas por una garantía de 12 meses a partir de la fecha original de compra.

ALMACENAMIENTO

Si su generador debe almacenarse durante mucho tiempo, se debe hacer la siguiente preparación.

1. Utilice el motor diésel unos 10 minutos sin carga y deténgalo.
2. Espere aproximadamente 10 minutos cuando el motor todavía esté caliente, drene el aceite del motor y luego vuelva a llenar el aceite de motor 10W30 nuevo.
3. Saque el tapón rojo de la tapa de la culata del motor diésel y agregue 2 ml de aceite lubricante en el cilindro y, finalmente, vuelva a colocar el tapón rojo en su lugar original.
4. Mantenimiento de la posición de arranque
 - Arranque manual (solo tipo de bastidor abierto)
 - Ponga la palanca en la posición «EJECUTAR»
 - Presione el mango rojo de reducción de presión (posición sin compresión), tire del mango de retroceso 2 o 3 veces. (No arranque el motor diésel).

SOLUCIÓN DE PROBLEMAS

Problema	Causa	Solución
El motor no arranca.	No hay combustible.	Reponga combustible.
	El interruptor no está en la posición «ENCENDIDO»	Gírelo a la posición «ENCENDIDO»
	La bomba de combustible de alta presión, la boquilla de inyección no puede inyectar o la cantidad de combustible es insuficiente.	Retire la boquilla de inyección y repárela o purgue el sistema de inyección de combustible.
	La palanca de control de velocidad no está en la posición «EJECUTAR»	Ponga el nivel de control en la posición «EJECUTAR»
	Comprobar el nivel de aceite	Añada aceite si es necesario
	La velocidad y la fuerza para tirar del arrancador de retroceso no son suficientes	Arranque el motor diésel de acuerdo con los requisitos del procedimiento operativo de arranque
	La boquilla de inyección está sucia o bloqueada	Limpie o reemplace la boquilla de inyección
	La batería está agotada	Recargar o reemplazar
El motor no arranca con el control remoto.	La llave de encendido no está en la posición ENCENDIDO	Verifique los pasos 1 a 3 en las instrucciones RC
	La palanca no está en la posición EJECUTAR	Verifique los pasos 1 a 3 en las instrucciones RC
	Nivel de aceite o combustible bajo	Añada aceite o combustible si es necesario
El motor funciona pero no hay salida.	El disyuntor de CA está «APAGADO»	Coloque el interruptor de CA principal en la posición «ENCENDIDO»
	El contacto del enchufe no es bueno	Ajustar los pies del enchufe
	No se puede alcanzar la velocidad nominal del generador	Ajuste el gobernador del motor de acuerdo con los requisitos.
	Otros.	Póngase en contacto con el equipo de asistencia técnica service@bpeholdings.co.uk .

NOTA: Al soldar, si encuentra que la electricidad es demasiado grande para el soldador o si el motor se apaga por sobrecarga durante la soldadura, el regulador del AVR puede causar daños o un cortocircuito.

GARANTÍA

En Warrior comprendemos la importancia de la garantía para el servicio y la reparación, ahora ofrecemos una garantía estándar de 2 años (generadores diésel Warrior) sin necesidad de registrar su compra. Todavía tenemos la opción de registro de productos para clientes que aún deseen utilizar el sitio web y mantenerse en contacto con nosotros.

Consulte las limitaciones a continuación y lea los términos y condiciones completos sobre la garantía ofrecida en un producto en particular.

Todo lo que necesitamos es una copia del comprobante de compra original o una factura proporcionada por el minorista en el momento de la compra para poder presentar la reclamación. Mantenga su prueba de compra segura durante la duración de sus términos, en el caso desafortunado de que necesite a nuestra asistencia técnica, le pediremos que se proporcione en cada reclamo, NINGUNA prueba de compra se retrasará o rechazará.

Garantía de reparación/sustitución

Los generadores diésel de la marca Warrior garantizan al comprador original hasta 2 años de uso doméstico en el que los componentes mecánicos y eléctricos estarán libres de defectos de material y mano de obra durante un período de un año (1) [Piezas y mano de obra] dos años (2) [Solo piezas] desde la fecha original de compra o 1000 horas, lo que ocurra primero.

Uso industrial y comercial Un año (1) [Piezas y mano de obra] o 500 horas, lo que ocurra primero.

Los gastos de transporte de cualquier producto enviado para reparación o sustitución bajo esta garantía correrán exclusivamente a cargo del comprador. Esta garantía es aplicable exclusivamente al comprador original y no es transferible.

No devuelva la unidad al establecimiento de su compra

Póngase en contacto con el servicio técnico de Warrior y le ayudaremos a subsanar cualquier problema por teléfono o correo electrónico. Si este método no permitiera solucionar el problema, Warrior, a su discreción, autorizará la evaluación, reparación o sustitución de la pieza o el componente defectuoso en nuestro Centro de Servicio. Si y cuando un producto tiene que ser reemplazado, se hará igual por igual, no viejo por nuevo. Warrior le proporcionará un número de caso para el servicio de garantía y esto se puede monitorear iniciando sesión en su cuenta. Conserve dicho número para referencia futura. Esta garantía no cubrirá reparaciones o sustituciones realizadas sin autorización previa o en un centro de reparación no autorizado. Tenemos exclusiones de garantía para clientes fuera del Reino Unido. Consulte nuestros términos y condiciones completos.

Exclusiones de la garantía

Esta garantía no cubre las siguientes reparaciones y equipos:

Desgaste normal

Su producto necesita repuestos y servicio periódicos para funcionar bien. Esta garantía no cubre la reparación en caso de que el uso normal haya agotado la vida útil de una pieza o del equipo en su conjunto.

Instalación, uso y mantenimiento

Esta garantía no cubrirá piezas ni mano de obra si se determina que el producto ha sido objeto de uso indebido o descuidado, ha estado implicado en un accidente, ha sido maltratado, sobrecargado por encima de los límites del generador, modificado, instalado de forma incorrecta o conectado de forma incorrecta a cualquier componente eléctrico. El mantenimiento normal no está cubierto por esta garantía.

Otras exclusiones

Esta garantía excluye:

- defectos cosméticos tales como pintura, pegatinas, etc.
- piezas desgastadas, incluidos pistones y anillos, bujías, filtros
- piezas accesorias, incluidas ruedas y conjuntos de retroceso
- fallos debidos a casos fortuitos y otras causas de fuerza mayor fuera del control del fabricante.

Problemas causados por piezas que no sean piezas originales de Warrior Power Equipment.

- alteraciones o modificaciones realizadas por cualquiera que no sea el fabricante, incluidos los sistemas de filtración y extensión de escape.
- todas las mangueras de plástico o goma, válvulas reductoras y reguladores
- cualquier equipo eléctrico de terceros

Batería de 12v

- Todas las baterías suministradas tienen más de 1 año.

Interruptor de transferencia adecuado

Cualquier sistema MTS (Transferencia manual) y ATS (Transferencia automática) que no sean los suministrados por nosotros bajo WARRIOR o Warrior no se considerará adecuado e invalidará todas las garantías otorgadas. Póngase en contacto con nosotros directamente antes de instalar cualquier sistema de transferencia.

Límites de la garantía implícita y daños consecuentes

Winch Solutions Ltd (CG) rechaza cualquier obligación de cubrir cualquier pérdida de tiempo, uso de este producto, transporte o reclamación por daño emergente o consecuente por cualquier usuario de este producto.

ESTA GARANTÍA SUSTITUYE TODAS LAS DEMÁS GARANTÍAS, EXPLÍCITAS O IMPLÍCITAS, INCLUIDAS LAS GARANTÍAS DE COMERCIALIZACIÓN O IDONEIDAD PARA UN FIN DETERMINADO.

Toda unidad suministrada como reemplazo estará sujeta a la garantía de la unidad original. La duración de la garantía aplicable a la unidad suministrada como reemplazo se calculará tomando como referencia la fecha de compra de la unidad original. Esta garantía le otorga ciertos derechos legales que podrían variar entre estados o provincias. Su estado o provincia también podría aplicar otros derechos que podrían corresponderle y que no estén contemplados en esta garantía.

WPROWADZENIE

Dziękujemy za zakup naszego produktu.

Niniejszy produkt jest objęty gwarancją na wady fabryczne przez okres 24 miesięcy lub 1000 godzin pracy liczonych od daty zakupu. Prosimy o zachowanie paragonu jako dowodu zakupu. Pełne warunki można znaleźć na stronie dotyczącej gwarancji w niniejszej instrukcji lub w naszej witrynie internetowej www.championpowerequipment.co.uk.

Gwarancja straci ważność, jeśli okaże się, że produkt był w jakikolwiek sposób używany niewłaściwie, modyfikowany/naruszony lub wykorzystywany niezgodnie z przeznaczeniem. **Wadliwych towarów nie należy zwracać w miejscu zakupu.** Agregat należy zwrócić dostawcy produktu. Żadnego produktu nie wolno zwracać bez uprzedniego uzyskania zgody, a koszty przesyłki zwrotnej ponosi wyłącznie użytkownik/właściciel. Niniejsza gwarancja nie narusza ustawowych praw użytkownika.

Kontaktując się z WPE w sprawie części zamiennych i/ lub serwisu, należy podać pełny numer modelu i numer seryjny posiadanego produktu. Przepisz dane znajdujące się na tabliczce znamionowej produktu do poniższej tabeli.

DZIAŁ POMOCY TECHNICZNEJ WPE
service@bpeholdings.co.uk
NUMER MODELU
NUMER SERYJNY
DATA ZAKUPU
MIEJSCE ZAKUPU

WAŻNE

1. Dzieci powinny znajdować się w bezpiecznej odległości od agregatu i NIGDY nie powinny być dopuszczane do jego obsługi.
2. Nowy agregat wymaga docierania przez okres około 10-20 godzin przy obciążeniu NIE większym niż 75% obciążenia maksymalnego. Po pierwszych 20 godzinach pracy TRZEBA wymienić olej. Zalecany typ oleju to 10W30, częściowo lub całkowicie syntetyczny. Zamienne rodzaje oleju można znaleźć w wykazie olejów w części poświęconej konserwacji znajdującej się w dalszej części instrukcji. W trakcie pracy agregatu nie dotykać silnika ani tłumika. Należy zwracać uwagę na naklejki ostrzegawcze umieszczone na agregacie.
3. Przed uruchomieniem sprzęt elektryczny (w tym element łączący kabel i wtyczkę) powinien być w dobrym stanie, a przed użyciem należy poddać go kontroli.
4. W przypadku wymiany wyłącznika automatycznego, parametry techniczne nowej jednostki muszą być równoważne lub lepsze od jednostki demontowanej.
5. Ze względu na duże naprężenia mechaniczne zaleca się stosowanie wyłącznie przewodów w oponie gumowej.
6. W przypadku korzystania z przedłużaczy lub ruchomej szafy rozdzielczej przewodów o przekroju 1,5 mm² nie powinien być dłuższy niż 50 metrów, a w przypadku przekroju 2,5 mm² - nie powinien być on dłuższy niż 100 metrów.
7. W przypadku rozruchu ręcznego należy zawsze używać dźwigni dekompresji. (TYLKO w przypadku jednostek z ramą otwartą)
8. W standardowych warunkach roboczych otoczenia (od minus 5 do 40 stopni Celsjusza) agregat może pracować przy normalnym obciążeniu roboczym. Jeżeli dane warunki robocze nie są zwyczajne, tzn. są zbyt wysokie lub zbyt niskie, agregat powinien pracować z mniejszą mocą, nie większą niż 75% obciążenia maksymalnego. Gdy temperatura, wysokość i wilgotność przekraczają standardowe warunki robocze, NALEŻY BEZWZGLĘDNIE zmniejszyć moc wyjściową agregatu do nie więcej niż 75% obciążenia maksymalnego.
9. Przed przystąpieniem do przeglądu lub konserwacji agregatu należy wyłączyć silnik i pozostawić go na co najmniej 30 minut do ostygnięcia. Agregat należy sprawdzać i konserwować zgodnie z tabelą przedziałów czasowych i arkuszem harmonogramu podanymi w instrukcji.
10. Z wyjątkiem codziennej konserwacji i czyszczenia, wszelkie przeglądy i regulacje powinny być przeprowadzane przez autoryzowanego fachowca, który powinien zaopatrzyć się u dostawcy w wymagane oryginalne części. (Prosimy o kontakt z lokalnymi przedstawicielami handlowymi).
11. Świeżo wyremontowana maszyna musi zostać poddana docieraniu przez okres co najmniej 10 godzin z mocą nieprzekraczającą 75% maksymalnego obciążenia.

CHARAKTERYSTYKA

Wysokoprężny agregat prądowłórczy WPE posiada następujące cechy:

Niniejsza seria agregatów wysokoprężnych charakteryzuje się superlekkim, chłodzonym powietrzem, czterosuwowym silnikiem wysokoprężnym z bezpośrednim wtryskiem paliwa, posiadającym dwa tryby rozruchu:

1. rozruch mechaniczny,
2. rozruch elektryczny.

Agregaty są wyposażone w pojemny zbiornik paliwa, zabezpieczenie obwodu, wyjścia napięcia AC i czasami DC, alarm niskiego ciśnienia oleju oraz automatyczne urządzenie zatrzymujące.

Wysokoprężny agregat prądowłórczy służy jako zasilacz awaryjny (UPS) do wielu różnych zastosowań, w tym na otwartym placu budowy, w budownictwie i w wojskach lądowych. Może zapewniać awaryjne zasilanie na fermach drobiu, w rybołówstwie, leśnictwie, ogrodach, hotelach, sklepach i biurach.

Niniejsza instrukcja obsługi informuje o sposobie obsługi i serwisowania nowego agregatu wysokoprężnego. Należy się z nią zapoznać przed rozpoczęciem użytkowania agregatu wysokoprężnego, aby zapewnić jego prawidłową obsługę i działanie. Dokładne przestrzeganie zawartych tu instrukcji pozwoli utrzymać agregat wysokoprężny w najlepszym stanie roboczym i wydłużyć jego okres eksploatacji.

W razie jakichkolwiek pytań dotyczących nowego produktu lub informacji podanych w niniejszej instrukcji, prosimy o kontakt: service@bpeholdings.co.uk.

PARAMETRY

Agregaty mogą wytwarzać określoną moc w przypadku eksploatacji w następujących warunkach:

Wysokość n.p.m.: < 1000 m

Temperatura otoczenia: 5 do 40°C

Wilgotność względna: < 90%

OSTRZEŻENIE

Wydech/tłumiki i gazy są bardzo gorące. NIE dodawać ani montować żadnych przedłużeń wydechu/tłumika, ponieważ spowoduje to utratę gwarancji.

Zapobieganie oparzeniom

NIE WOLNO dotykać ani manipulować wydechem/tłumikiem, silnikiem pracującego lub gorącego agregatu. Przed przystąpieniem do obsługi koniecznie pozostawić wydech/tłumik i silnik do ostygnięcia przez ok. 30 minut.

WAŻNE

W celu zapewnienia bezpiecznej eksploatacji należy przeczytać i zrozumieć niniejszą instrukcję obsługi oraz zwrócić szczególną uwagę na poniższe punkty główne, w przeciwnym razie może dojść do odniesienia obrażeń ciała i uszkodzenia sprzętu.

Zapobieganie pożarom

Paliwem tego silnika wysokoprężnego jest lekki olej napędowy, więc nigdy nie wolno używać benzyny, nafty lub biodiesla itp. Olej napędowy z barwnikami nie jest zalecany, a jeśli jest używany, zaleca się comiesięczną konserwację, w przeciwnym razie pogorszy wydajność silnika i/lub uszkodzi silnik.

Paliwem właściwym dla tego silnika wysokoprężnego jest lekki olej napędowy, dlatego NIE WOLNO stosować benzyny, nafty, biodiesla itp.

Rozlane paliwo należy wytrzeć czystą szmatką. Benzynę, naftę, zapalki i inne materiały wybuchowe oraz substancje łatwopalne należy trzymać z dala od agregatu, ponieważ podczas pracy temperatura wokół tłumika układu wydechowego jest bardzo wysoka. Aby zapobiec zagrożeniu pożarowemu i zapewnić odpowiednią wentylację, podczas pracy agregat powinien znajdować się w odległości co najmniej 1,5 metra od budynków, konstrukcji i innego wyposażenia.

Agregat należy użytkować na płaskim, równym podłożu. W przypadku przechylenia agregatu może dojść do rozlania paliwa lub pogorszenia jego pracy.

OSTRZEŻENIE

NIGDY nie wolno uruchamiać generatora na MAKSYMALNYCH watach dłużej niż dziesięć (10) minut, robiąc to, pojawi się przegrzanie silnika, a następnie zatrzymanie; ryzykując możliwością pożaru. Jeśli tak się stanie, natychmiast należy zatrzymać generator i pozostawić do ostygnięcia przez co najmniej 30 minut.

Zapobieganie wdychaniu spalin

Spaliny zawierają trujący tlenek węgla. Agregat należy zawsze użytkować na zewnątrz budynków, w odległości co najmniej 1,5 m od okien, drzwi lub otworów.

Agregatów NIE WOLNO używać w pomieszczeniach, garażach, chatach, budynkach gospodarczych, szopach ani żadnych innych zamkniętych przestrzeniach, w tym w pojazdach i wydzielonych częściach pojazdów.

Porażenia prądem, zwarcia

Aby uniknąć porażenia prądem lub zwarcia, nie należy dotykać agregatu mokrymi rękami lub agregatu mokrego.

Agregat nie jest wodoodporny, dlatego NIE WOLNO używać go w miejscach narażonych na działanie deszczu, śniegu lub strumieni wody. Aby zapobiec

porażeniom prądem, agregat należy uziemić. Zacisk uziemienia agregatu oraz zewnętrzne urządzenie uziemiające, uziom lub bolec – położone na głębokości co najmniej 200 mm – należy połączyć grubym drutem.

Przed uruchomieniem nie należy podłączać żadnych urządzeń do agregatu.

⚠ OSTRZEŻENIE

Rozruch większości silników w urządzeniach wymaga mocy większej niż ich moc znamionowa. Nie należy przekraczać limitu natężenia prądu określonego dla poszczególnych gniazd. NIGDY nie należy przeciążać agregatu ani uruchamiać go z mocą maksymalną na dłuższy czas. Jeśli agregat wykazuje oznaki przegrzania, należy natychmiast go ZATRZYMAĆ i pozostawić do ostygnięcia na minimum 30 minut.

Ładowanie akumulatora

Elektrolit akumulatora zawiera kwas siarkowy. Chronić oczy, skórę i odzież. W razie kontaktu z substancją dokładnie spłukać wodą i zasięgnąć natychmiastowej pomocy, zwłaszcza w przypadku oczu.

Akumulatory wytwarzają wodór, który może wywoływać płomień lub iskrzenie w pobliżu akumulatora, zwłaszcza podczas ładowania.

Akumulator należy ładować w doskonale wietrzonym miejscu.

⚠ OSTRZEŻENIE

Należy mieć wiedzę na temat szybkiego zatrzymywania agregatu i obsługi wszystkich elementów sterujących. Nie należy zezwalać na obsługę agregatu osobom bez odpowiedniego przeszkolenia.

Należy zawsze nosić kask, obuwie ochronne i odpowiednią odzież. Podczas pracy agregatu zwierzęta domowe i dzieci należy trzymać z dala od niego.

PRZYGOTOWANIE DO ROZRUCHU

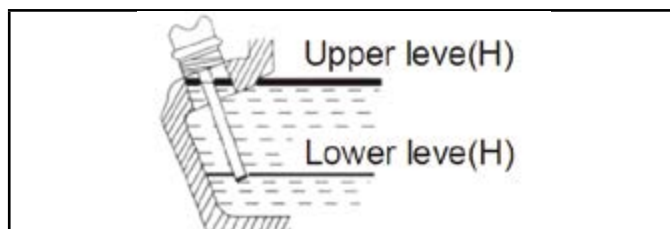
Dobór paliwa i postępowanie z nim

- Stosować można tylko lekki olej napędowy.
- Paliwo musi być przefiltrowane.
- W paliwie nie powinno być wody ani pyłu, gdyż mogą one zanieczyścić układ wtrysku paliwa.
- Nie należy przepelniać zbiornika powyżej górnej krawędzi czerwonego korka znajdującego się wewnątrz filtra zbiornika paliwa. W tym celu użyć wskaźnika poziomu paliwa znajdującego się na górze zbiornika.

- Nie palić i nie dopuszczać do powstawania iskier w miejscu tankowania silnika lub przechowywania benzyny.
- Nie rozlewać paliwa podczas tankowania. Pilnować, żeby korek filtra był szczelnie zamknięty.

Dobór oleju i postępowanie z nim

- Ustawić agregat na równym podłożu.
- Wlać olej silnikowy przez wlew.
- Aby sprawdzić poziom oleju, wystarczy zanurzyć bagnet w misce. Podczas sprawdzania nie wkręcać bagnetu.



⚠ UWAGA

Nic nie wpływa na wydajność i trwałość agregatu bardziej niż stosowany olej. Jeśli stosowany jest olej gorszej jakości lub w przypadku jego nieregularnej wymiany znacznie wzrasta ryzyko zatarcia tłoka, zablokowania pierścieni tłokowych i szybszego zużycia tulei cylindrowych, łożysk i innych ruchomych elementów.

- Przed uruchomieniem agregatu należy sprawdzić poziom oleju i uzupełnić go do wymaganego poziomu, nawet jeśli urządzenie jest wyposażone w system ostrzegający o niskim ciśnieniu oleju.
- Jeśli agregat nie uruchomi się przy 5. próbie lub uruchamia się i wyłącza, oznacza to zbyt niski poziom oleju, który należy uzupełnić.

⚠ UWAGA

Olej należy wymienić po pierwszych 10 godzinach (lub 1 miesiącu) eksploatacji, a następnie co 3 miesiące lub 100 godzin pracy.

Olej należy spuszczać zawsze wówczas, gdy silnik jest ciepły, ale nie gorący. Po schłodzeniu urządzenia całkowite spuszczenie oleju jest trudne.

Z reguły olej jest nalany do pełna, gdy można go zobaczyć na środkowych lub górnych gwintach wlewu. Nie należy przelewać oleju, gdyż spowoduje to pogorszenie pracy silnika i jego uszkodzenie.

⚠ OSTRZEŻENIE

NIGDY nie należy dolewać ani próbować wymieniać oleju w agregacie przy pracującym silniku.

Kontrola filtra powietrza

- Poluzować nakrętkę motylkową, zdjęć pokrywę filtra powietrza i wyjąć wkład. Nie należy myć wkładu filtrującego detergentem. Zastosować wodę lub benzynę (KONIECZNIE pozostawić do wyschnięcia przed wymianą).
- Wkład filtrujący należy wymieniać w momencie spadku mocy silnika lub pojawienia się nietypowego zabarwienia spalin.
- Nie wolno uruchamiać agregatu bez wkładu filtrującego. Może to spowodować szybkie zużycie silnika.
- Założyć pokrywę filtra powietrza z powrotem i dokręcić nakrętkę motylkową.

Dopilnować, żeby agregat nie był pod obciążeniem.

- Wyłączyć główny wyłącznik prądu i wszelkie inne odbiorniki.
- Przed uruchomieniem agregatu należy pamiętać o wyłączeniu głównego wyłącznika prądu. Jeżeli wyłącznik nie jest ustawiony w pozycji „OFF”, nagłe podłączenie odbiornika podczas uruchamiania silnika wysokoprężnego może stanowić duże zagrożenie.
- Aby zapobiec porażeniom prądem, agregat należy uziemić. (Zalecenie).

Postępowanie z agregatem dwunapięciowym

- Obsługa przełącznika: przed uruchomieniem maszyny wyłącznik prądu przemiennego na panelu sterowania musi być ustawiony w pozycji „OFF” (wyłączonej). Po uruchomieniu agregatu należy poczekać, aż silnik osiągnie obroty znamionowe, a następnie ustawić wyłącznik prądu przemiennego w pozycji „ON” (włączonej), aby umożliwić zastosowanie gniazd wtykowych do zasilania urządzeń.
- NIE WOLNO przełączać napięć, gdy wyłącznik prądu przemiennego jest włączony, a sprzęt podłączony do gniazdka.
- W przypadku zasilania prądem stałym 12 V główny wyłącznik prądu przemiennego należy ustawić w pozycji „OFF” (wyłączonej).

Kontrola zapowietrzenia**⚠ OSTRZEŻENIE**

PALIWO i OLEJ silnikowy są spuszczone fabrycznie przed transportem. W celu przechowywania agregaty są suszone.

- Sprawdzić, czy przewód paliwowy jest zapowietrzony. Jeśli tak, przed zatankowaniem i uruchomieniem silnika wysokoprężnego należy odprowadzić powietrze z przewodu.
- Filtr paliwa powinien być wypełniony w co najmniej 75%. W przeciwnym razie w układzie może znaleźć się powietrze.
- Powietrze odprowadza się, poluzowując nakrętkę dławnicy 17 mm, łączącej pompę wtryskową z mosiężnym przewodem wysokiego ciśnienia, ustawiając dźwignię rozruchową w położeniu „RUN” (praca) i kręcąc silnikiem do momentu, aż paliwo zacznie wypływać.
- Wymienić i dokręcić dławnicę 17 mm z powrotem, a jeśli silnik nadal nie uruchamia się, powtórzyć proces.

OBSŁUGA**Funkcja podgrzewacza**

Ten generator jest wyposażony w funkcję przycisku podgrzewacza do pracy w niskich temperaturach poniżej 0°C. Funkcja ta została zaprojektowana w celu podgrzania i olejowania silnika poprzez zasilanie 12V DC akumulatora przed uruchomieniem silnika.

Jeżeli temperatura zewnętrzna jest niższa niż 0°C, zaleca się najpierw nacisnąć przycisk funkcji podgrzewacza przed uruchomieniem silnika.

1. Przekręć kluczyk zapłonu w pozycję „WŁĄCZ”
2. Naciśnij i przytrzymaj przycisk podgrzewania przez co najmniej 5 sekund, aż pojawi się stałe czerwone podświetlenie
3. Zwolnij przycisk i uruchom generator normalnie za pomocą klucza lub pilota zdalnego sterowania (tylko modele bezprzewodowe zdalnego sterowania)

Jeśli generator nie uruchamia się, powtórz kroki 1-3 maksymalnie 3 razy, jeśli generator nie uruchamia się po 3 próbach należy skontaktować się z lokalnym agentem usług.

System ostrzegania o niskim ciśnieniu oleju

- Urządzenie automatycznie zatrzymuje silnik, gdy ciśnienie oleju spadnie poniżej wymaganego poziomu i zapobiega zatarciu silnika w przypadku niskiego

poziomu oleju silnikowego lub utraty ciśnienia w silniku.

- Praca silnika z niewystarczającą ilością oleju spowoduje wzrost temperatury oleju. Z drugiej strony, nadmierna ilość oleju stanowi zagrożenie związane z jego zapłonem, co spowoduje nagły i nadmierny wzrost obrotów silnika, dlatego każdego dnia przed rozruchem maszyny należy sprawdzić poziom oleju i w razie potrzeby uzupełnić go do określonego poziomu.

Światło ostrzegawcze niskiego poziomu oleju

Twój generator jest wyposażony w lampkę ostrzegawczą o niskiej zawartości oleju.

Jeśli światło zdarzenia świeci się "na czerwono", twój generator będzie wymagał natychmiastowego dodania oleju.

1. Natychmiast przerwij bieżącą aplikację i wyłącz silnik i pozostaw do ostygnięcia przez około 10-15 minut.
2. Wyjmij wskaźnik poziomu oleju i oczyść go.
3. Dodaj olej za pomocą leja olejowego (brak w zestawie) i sprawdź za pomocą wskaźnika poziomu oleju (dobrą zasadą jest przyjęcie, że olej jest pełny, gdy jest widoczny na środkowych/górnym gwintach portu). Podczas korzystania z wskaźnika oleju NIGDY nie wkręcaj wskaźnika poziomu oleju, aby wziąć wartość pomiarową, po prostu sprawdź otwór i zobacz wartość pomiarową.
4. Wkręć z powrotem wskaźnik poziomu oleju
5. Uruchom silnik przez 10 minut bez żadnego obciążenia, dzięki czemu olej będzie mógł całkowicie krążyć.
6. Ponownie sprawdź poziom oleju

Nieupełnienie zalecanej pojemności oleju może spowodować zwiększone zużycie i/lub uszkodzenie silnika.

Otwieranie drzwi i osłony szafki

W celu dokonania codziennej kontroli należy otworzyć drzwi szafki, podnosząc je.

1. Drzwi szafki otwiera się, przekręcając uchwyt w lewo.
2. Drzwi szafki zamyka się, przekręcając uchwyt w prawo.

Praca podczas docierania

Zastosowanie dużych obciążeń, gdy agregat jest jeszcze nowy, może skrócić żywotność silnika. Przez pierwsze 20 godzin należy przestrzegać procedur docierania.

1. W okresie docierania należy unikać stosowania dużych obciążeń.

2. Należy regularnie wymieniać olej silnikowy. Olej silnikowy należy wymieniać co 20 godzin lub po miesiącu od pierwszego rozruchu, a następnie co 3 miesiące lub co 100 godzin.
3. W przypadku eksploatacji w warunkach upalnych lub przy dużych obciążeniach olej należy wymieniać co 100 godzin lub co miesiąc.

Rozruch agregatu

Rozruch mechaniczny (tylko modele z otwartą ramą)

1. Otworzyć kurek paliwa (położenie „ON”).
2. Ustawić dźwignię obrotów silnika w położeniu „RUN”.
3. Wyciągnąć uchwyt linki do rozruchu mechanicznego.
4. Wyciągać uchwyt do wycucia silnego oporu, a następnie przywrócić go do położenia wyjściowego.
5. Nacisnąć dźwignię dekompresji. (Powrót nastąpi automatycznie po pociągnięciu linki do rozruchu mechanicznego).
6. Energicznie pociągnąć uchwyt linki do rozruchu mechanicznego obiema rękami.
7. Nie wolno dopuścić do tego, aby uchwyt odskoczył i uderzył w silnik. Aby uniknąć uszkodzenia rozrusznika, uchwyt należy włożyć delikatnie na miejsce.

OSTRZEŻENIE

NIE WOLNO wyciągać ani dotykać linki rozruchowej przy pracującym silniku wysokoprężnym, w przeciwnym razie spowoduje to uszkodzenie silnika (tylko modele z otwartą ramą).

8. W niskich temperaturach, gdy silnik wysokoprężny ma trudności z uruchomieniem, należy wyjąć czerwony korek z pokrywy popychacza zaworów i dolać 2 cm³ oleju silnikowego.
9. Przed rozruchem należy włożyć czerwony korek na miejsce.
10. Czerwony korek musi być cały czas zamontowany w obudowie (z wyjątkiem dolewania oleju), w przeciwnym razie do silnika może dostać się deszcz, brud i inne zanieczyszczenia, które spowodują przyspieszone zużycie wewnętrznych części silnika. To z kolei może wywołać poważne problemy z pracą silnika.

Rozruch elektryczny

1. Przekręcić kluczyk zapłonu w prawo do pozycji „ON”.
2. Ustawić dźwignię obrotów silnika w położeniu „RUN”.
3. Przekręcić kluczyk zapłonu w prawo do pozycji „Start”.

- Po uruchomieniu silnika puścić kluczyk i pozwolić, aby automatycznie powrócił do początkowego położenia „ON”.
- Do uruchamiania podczas zimnych dni odnieść się do funkcji podgrzewacza
- Jeśli rozrusznik nie załączy się i nie uruchomi silnika po 10 sekundach, należy odczekać około 30 sekund przed ponowną próbą rozruchu i powtórzeniem tych czynności.

OSTRZEŻENIE

Uwaga: NIE WOLNO trzymać kluczyka w pozycji rozruchowej przez dłużej niż 10 sekund. Jeśli silnik nie uruchomi się za pierwszym razem, odpuścić i spróbować ponownie. W przeciwnym razie może dojść do uszkodzenia rozrusznika.

Jeśli rozrusznik będzie pracował zbyt długo, rozładuje akumulator i agregat nie uruchomi się (modele z daszkiem).

Akumulator

Raz w miesiącu należy sprawdzić poziom płynu w akumulatorze. Gdy poziom spadnie do dolnej kreski, należy uzupełnić go wodą destylowaną do górnej kreski.

Jeśli poziom płynu w akumulatorze jest niski, silnik może nie dać się uruchomić, ponieważ do rozrusznika dociera zbyt mało energii elektrycznej. Poziom płynu należy utrzymywać pomiędzy górnym a dolnym oznaczeniem.

W przypadku zastosowania zbyt dużej ilości płynu akumulatorowego, może on się rozlać i spowodować korozję otaczających go części. NIE PRZEPEŁNIAĆ.

Akumulatory są objęte wyłącznie roczną gwarancją, której okres biegnie od daty zakupu.

Obsługa agregatu prądotwórczego

- Rozgrzać silnik bez obciążenia przez około 3 minuty.
- Nasz agregat jest wyposażony w system ostrzegania o niskim ciśnieniu oleju. Silnik zostanie automatycznie zatrzymany w przypadku niskiego ciśnienia oleju lub braku smarowania. Ponowne uruchomienie silnika bez uzupełnienia oleju smarnego spowoduje jego natychmiastowe zatrzymanie. Kontrola poziomu oleju i uzupełnianie
- Nie należy luzować ani korygować położenia śruby ograniczającej prędkość obrotową silnika, ani śruby ograniczającej wtrysk paliwa (zostały one ustawione fabrycznie). W przeciwnym razie jakość pracy i zużycie paliwa mogą zostać pogorszone.
- Dla niskiego poziomu oleju, odnieść się do Światła ostrzegawcze niskiego poziomu oleju.

- Nieuzupełnienie zalecanej pojemności oleju może spowodować zwiększone zużycie i/lub uszkodzenie silnika..

Kontrola podczas pracy

- Czy występują nietypowe dźwięki lub drgania?
- Brak zapłonu lub nierówna praca silnika?
- Jakie jest zabarwienie spalin? (Jest czarny lub zbyt biały?)

W przypadku zauważenia któregoś z powyższych zjawisk należy zatrzymać silnik i skonsultować się z najbliższym przedstawicielem handlowym lub skontaktować się z działem pomocy technicznej pod numerem service@bpeholdings.co.uk.

Obsługa obwodu prądu przemiennego

- Uruchomić silnik i upewnić się, że zapaliła się ZIELONA lampka kontrolna. Jeśli się nie zapala, przyczyną może być przepalony żarnik.
- Obroty agregatu muszą osiągnąć prędkość znamionową (dźwignia na górze).
- Obciążenie można dodać do generatora, gdy miernik woltów wskaźnika na panelu wyświetla wybrane napięcie. Tolerancja napięcia może się różnić między +10.
- Podłączyć urządzenie do prądu.

OSTRZEŻENIE

Nie należy uruchamiać jednocześnie dwóch lub więcej maszyn. Należy uruchamiać je jedna po drugiej. Wraz z innymi urządzeniami nie należy stosować naświetlaczy.

- Przed podłączeniem do agregatu należy upewnić się, że stan techniczny wszystkich urządzeń jest dobry.
- Jeżeli urządzenie lub element wyposażenia zacznie działać nietypowo, słabo reagować lub nagle się zatrzyma, należy natychmiast wyłączyć agregat. Następnie należy odłączyć urządzenie i zbadać je pod kątem oznak awarii.
- Jeśli przeciążenie obwodu uruchomi zabezpieczenie obwodu prądu przemiennego, należy zmniejszyć obciążenie elektryczne obwodu i odczekać kilka minut przed ponownym włączeniem.
- Jeżeli wskazania woltomierza na wyświetlaczu LCD są zbyt niskie lub zbyt wysokie, należy zatrzymać urządzenie i zbadać je w celu wykrycia przyczyny usterki.
-

Obsługa obwodu prądu stałego

Zacisk prądu stałego może służyć wyłącznie do ładowania akumulatorów samochodowych o napięciu 12 V.

1. W przypadku stosowania akumulatorów samochodowych z kablami akumulatorowymi należy pamiętać, aby przed rozpoczęciem ładowania odłączyć od akumulatora kabel z zaciskiem ujemnym.
2. Uruchomić silnik.
3. Podłączyć kabel ładujący do zacisków akumulatora i do zacisków prądu stałego agregatu.

Podłączyć dodatni zacisk akumulatora do dodatniego zacisku agregatu. Nie podłączać kabli ładowania do przeciwnych biegunów, gdyż może to spowodować poważne uszkodzenie agregatu i/lub akumulatora.

Nie wolno dopuścić, aby swobodne końce kabla stykały się ze sobą. Jeśli tak się stanie, nastąpi zwarcie w akumulatorze

Podczas ładowania akumulatora o dużej pojemności płynie nadmierny prąd (wartość zależy od stanu rozładowania), co spowoduje przepalenie bezpiecznika prądu stałego.

4. Akumulatory wytwarzają gazy wybuchowe. Nie wolno dopuszczać iskieł, płomieni ani papierosów w ich pobliżu. Aby zapobiec możliwości powstania iskry w pobliżu akumulatora, należy zawsze podłączać kable ładowania najpierw do akumulatora, a dopiero potem do agregatu. Odłączając kable należy zaczynać od agregatu.
5. Akumulator ładować w dobrze wietrzonym miejscu. Przed rozpoczęciem ładowania zdjąć osłony z obu klem akumulatora. Należy zaprzestać ładowania, jeżeli temperatura elektrolitu przekroczy 45°C.

OSTRZEŻENIE

Nie podejmować prób uruchomienia silnika samochodowego, gdy agregat jest nadal podłączony do akumulatora.

NIE WOLNO podejmować prób zastosowania jednocześnie obwodów prądu stałego 12 V i zmiennego.

ponieważ może to spowodować nieprawidłowy wzrost temperatury i doprowadzić do uszkodzenia wtryskiwacza oraz zatarcia silnika.

3. Popchnąć dźwignię stopu w dół lub obrócić kluczyk zapłonu w lewo do pozycji „OFF”.

OSTRZEŻENIE

Jeżeli nawet po umieszczeniu dźwigni obrotów w położeniu „Stop” silnik nadal pracuje, należy ustawić kluczyk zapłonu w położeniu „OFF”. NIE WOLNO podejmować prób zatrzymania silnika za pomocą dźwigni dekompresji (tylko modele z otwartą ramą).

Sterowanie zdalne (jeśli dostępne)

Agregat prądotwórczy można uruchamiać lub wyłączać zdalnie za pomocą nadajnika bezprzewodowego.

1. Dopilnować, żeby dźwignia była w pozycji „RUN”.
2. Pozostawić kluczyk zapłonu w pozycji „OFF” (nie przekręcać w prawo).
3. Aby uruchomić silnik, należy nacisnąć przycisk „A” na nadajniku i przytrzymać go przez ok. 3-5 sekund.
4. Jeśli agregat nie uruchomi się, spróbować ponownie, powtarzając kroki 1-2.
5. Aby wyłączyć silnik, należy nacisnąć przycisk „B” na nadajniku.

OSTRZEŻENIE

W trybie rozruchu elektrycznym kluczykiem: po wyłączeniu agregatu lub gdy nie jest on używany, należy KONIECZNIE przekręcić kluczyk zapłonu do pozycji „OFF”. W przeciwnym razie akumulator z czasem ulegnie rozładowaniu.

OSTRZEŻENIE

Jeżeli agregat nie uruchomi się po 3 próbach, należy POWTÓRZYĆ kroki 1-3 oraz sprawdzić poziom oleju i paliwa w ramach ogólnego utrzymania ruchu urządzenia.

Nie wolno dopuścić, aby ktokolwiek oprócz właściciela lub użytkownika mógł uruchamiać lub wyłączać agregat zdalnie za pomocą nadajnika bezprzewodowego. Ciągłe włączanie i wyłączanie agregatu może spowodować uszkodzenie podzespołów elektrycznych/elektronicznych bądź wyposażenia oraz zwiększone zużycie silnika.

Jeżeli nawet po wielu próbach agregat w ogóle nie uruchamia się, może to oznaczać usterkę lub awarię i należy skontaktować się z lokalnym centrum serwisowym pod numerem service@bpeholdings.co.uk.

Wyłączanie agregatu

1. Wyłączyć wyłącznik obwodu prądu zmiennego.
2. Pozostawić dźwignię obrotów silnika w położeniu „RUN”, a silnik pracujący bez obciążenia przez około 3 minuty. NIE WOLNO zatrzymywać silnika nagle,

⚠ OSTRZEŻENIE

NIGDY nie należy uruchamiać agregatu z maksymalną mocą na dłużej niż 10 minut, ponieważ spowoduje to zatrzymanie silnika i przegrzanie, co grozi pożarem. Agregat należy natychmiast wyłączyć i pozostawić go do ostygnięcia na minimum 30 minut.

KONSERWACJA

Okresowe kontrole i przeglądy są bardzo ważne, żeby utrzymać silnik w dobrym stanie technicznym. Należy zapoznać się ze szczegółowym opisem poszczególnych części w instrukcji obsługi.

Przed przystąpieniem do jakichkolwiek czynności konserwacyjnych należy wyłączyć silnik. Jeżeli silnik musi pracować, należy dopilnować, żeby miejsce pracy było dobrze wietrzane. Spaliny zawierają gaz trujący – tlenek węgla.

Po eksploatacji silnika należy natychmiast oczyścić go szmatką, aby zapobiec korozji i usunąć osady.

Recommended Engine Oil Type	
	10W-30
	5W-30 10W-40
	5W-30 Full Synthetic
°F	-20 0 20 40 60 80 100 120
°C	-28.9 -17.8 -6.7 4.4 15.6 26.7 37.8 48.9
Ambient temperature	

CODZIENNA

- Kontrola poziomu oleju
- Kontrola poziomu paliwa i uzupełnienie
- Kontrola pod kątem wycieku oleju
- Kontrola części silnika i dokręcenie w razie luzów

PO PIERWSZYCH 20 GODZINACH

- Wymiana oleju
- Opróżnienie zbiornika paliwa
- Regulacja luzu na zaworach dolotowych i wydechowych*
- Docieranie zaworów wlotowych i wydechowych*

MIESIĘCZNA

- Kontrola płynu akumulatorowego
- Kontrola filtra powietrza

CO 100 GODZIN LUB CO 3 MIESIĄCE

- Wymiana oleju
- Czyszczenie filtra oleju

CO 300 GODZIN LUB CO 6 MIESIĘCY

- Dokręcenie śrub głowicy silnika*
- Wymiana filtra oleju
- Wymiana filtra powietrza
- Czyszczenie filtra paliwa
- Kontrola pompy wtryskowej paliwa*
- Kontrola wtryskiwaczy paliwa*
- Kontrola przewodu paliwowego
- Regulacja luzu na zaworach dolotowych i wydechowych*

CO 1000 GODZIN LUB CO ROKU

- Wymiana filtra paliwa
- Docieranie zaworów wlotowych i wydechowych*
- Wymiana pierścieni tłokowych*

CO 3 LATA

- Wymiana przewodu paliwowego*

*Special tools or skills are required - please do not attempt yourself - consult Technical Support on service@bpeholdings.co.uk. Charges may apply.

Wymiana oleju silnikowego (co 100 godz.)

Zdjąć korek wlewu oleju. Wyjąć korek spustowy i spuścić zużyty olej, gdy silnik jest jeszcze ciepły. Korek spustowy oleju znajduje się w dolnej części bloku silnika, obok filtra oleju. Zakręcić korek spustowy i wlać zalecany olej 10W30, niesyntetyczny lub częściowo syntetyczny.

Czyszczenie filtra oleju (co 300 godz.)

Odkręcić śrubę 10 mm i wyjąć filtr oleju (położony w dolnej części bloku silnika, obok korka spustowego oleju). Wyczyścić wodą lub benzyną. NIE STOSOWAĆ żadnych detergentów.

Wymiana wkładu filtrującego powietrze (co 300 godz.)

Ponieważ jest to wkład filtrujący typu suchego, nie należy myć go detergentem. Zastosować wodę lub benzynę. Przed włożeniem z powrotem odczekać do całkowitego wyschnięcia.

⚠ OSTRZEŻENIE

Nie wolno uruchamiać silnika bez wkładu filtrującego lub z wkładem uszkodzonym. Wkład wymieniać we właściwym czasie.

Czyszczenie i wymiana filtra paliwa (co 300 godz.)

Zapewnienie maksymalnej wydajności silnika wymaga również regularnego czyszczenia filtra paliwa.

1. Spuścić paliwo (olej napędowy) ze zbiornika paliwa.
2. Poluzować małe zaciski na węzłach. Wyjąć filtr paliwa i dokładnie przepłukać go (WYŁĄCZNIE) olejem napędowym. Zdjąć nakrętkę zabezpieczającą, zaślepkę i membranę dyfuzora oraz oczyścić z nagaru.
3. W przypadku stosowania oleju napędowego z barwnikiem, filtry TRZEBA wymieniać co 100 godzin pracy lub co 1 miesiąc. Układ wtrysku paliwa TRZEBA czyścić co 300 godzin pracy.

Kontrola i uzupełnianie płynu akumulatorowego oraz ładowanie akumulatora (co miesiąc)

Ten silnik wysokoprężny wykorzystuje akumulator o napięciu 12 V. W wyniku ciągłego ładowania i rozładowywania akumulatora następuje utrata płynu akumulatorowego.

Przed uruchomieniem należy sprawdzić akumulator pod kątem uszkodzeń fizycznych oraz poziom elektrolitu, a w razie potrzeby uzupełnić go wodą destylowaną do górnej kreski. W przypadku stwierdzenia faktycznego uszkodzenia akumulator należy natychmiast wymienić. Akumulatory są objęte 12-miesięczną gwarancją, której okres biegnie od daty zakupu.

PRZECHOWYWANIE

Jeżeli agregat ma być przechowywany przez dłuższy czas, należy poczynić następujące przygotowania:

1. Uruchomić silnik wysokoprężny na około 10 minut BEZ obciążenia, po czym wyłączyć go.
2. Odczekać ok. 10 minut, spuścić olej silnikowy, gdy silnik jest jeszcze ciepły, a następnie wlać świeży olej silnikowy typu 10W30.
3. Wyciągnąć czerwoną zatyczkę z pokrywy głowicy cylindra silnika wysokoprężnego i dolać 2 ml oleju smarowego do cylindra, po czym włożyć czerwoną zatyczkę z powrotem na miejsce.
4. Konserwacja układu rozruchowego
 - Dotyczy rozruchu ręcznego (tylko modele z otwartą ramą)
 - Ustawić dźwignię w położeniu „RUN”
 - Nacisnąć czerwony regulator ciśnienia (położenie braku sprężania), pociągnąć uchwyt linki rozruchowej 2-3 razy. (Nie uruchamiać silnika wysokoprężnego).

ROZWIĄZYWANIE PROBLEMÓW

Problem	Przyczyna	Rozwiązanie
Silnik nie chce się uruchomić	Brak paliwa	Dolać paliwa
	Wyłącznik nie jest ustawiony w pozycji „ON”	Ustawić w pozycji „ON”
	Brak możliwości wtrysku paliwa przez wysokociśnieniową pompę paliwa lub wtryskiwacz, bądź niewystarczająca ilość paliwa	Zdemontować wtryskiwacz i naprawić go lub odpowietrzyć układ wtrysku paliwa.
	Dźwignia regulacji obrotów nie jest ustawiona w położeniu „RUN”	Ustawić dźwignię regulacji w pozycji „RUN”
	Kontrola poziomu oleju	W razie potrzeby dolać oleju
	Niewystarczająca szybkość i siła pociągnięcia linki rozrusznika	Uruchomić silnik wysokoprężny zgodnie z wymaganiami procedury rozruchu
	Wtryskiwacz jest zabrudzony lub zatkany	Wyczyścić lub wymienić wtryskiwacz
	Rozładowany akumulator	Naładować lub wymienić
Silnik nie uruchamia się zdalnie	Kluczyk zapłonu nie jest w pozycji „ON”	Sprawdzić kroki 1-3 dotyczące obsługi sterowania zdalnego
	Dźwignia nie jest ustawiona w pozycji „RUN”	Sprawdzić kroki 1-3 dotyczące obsługi sterowania zdalnego
	Niski poziom oleju lub paliwa	W razie potrzeby dolać oleju lub paliwa
Silnik pracuje, ale brakuje mocy	Wyłącznik obwodu prądu przemiennego jest wyłączony	Ustawić główny wyłącznik prądu przemiennego w pozycji „ON”
	Kiepski styk w gnieździe	Wyregulować blaszki w gnieździe
	Brak możliwości osiągnięcia obrotów znamionowych agregatu	Dostroić regulator obrotów silnika zgodnie z wymaganiami
	Inne	Skontaktować się z pomocą techniczną: service@bpeholdings.co.uk

UWAGA: Jeżeli podczas spawania prąd jest zbyt duży dla spawarki lub silnik wyłączy się wskutek przeciążenia, może to wywołać uszkodzenie układu AVR agregatu lub zwarcie w jego obwodzie.

GWARANCJA

W firmie Warrior rozumiemy znaczenie gwarancji dla serwisu i napraw, dlatego teraz w standardzie oferujemy 2-letnią gwarancję (Warrior Diesel Generators) bez konieczności rejestracji zakupu. Wciąż istnieje możliwość rejestracji produktu przez klientów, którzy nadal chcą korzystać z naszej witryny i pozostawać z nami w kontakcie.

Prosimy o zapoznanie się z poniższymi ograniczeniami i przeczytanie pełnych warunków gwarancji na dany produkt.

Do zgłoszenia reklamacji wymagamy jedynie kopii oryginalnego dowodu zakupu lub faktury wystawionej przez sprzedawcę w momencie zakupu. Dowód zakupu należy przechowywać w bezpiecznym miejscu przez cały okres obowiązywania warunków gwarancji. W niefortunnym przypadku, gdy potrzebna będzie nasza pomoc techniczna, przesłanie go będzie wymagane w każdym przypadku. BRAK dowodu zakupu oznacza opóźnienie rozpatrzenia lub odrzucenie roszczenia gwarancyjnego.

Gwarancja naprawy / wymiany

Firma Warrior gwarantuje pierwotnemu nabywcy agregatu wysokoprężnego naszej marki, że elementy mechaniczne i elektryczne będą wolne od wad materiałowych i wykonawczych przez okres maksymalnie 2 lat od daty zakupu w przypadku użytku domowego, z czego rok pierwszy (1) obejmuje części i robociznę, a rok drugi (2) wyłącznie części, bądź 1000 godzin, w zależności od tego, co upłynie jako pierwsze.

Użytek przemysłowy i komercyjny – jeden (1) rok [części i robocizna] lub 500 godzin, w zależności od tego, co upłynie jako pierwsze.

Pokrycie kosztów transportu dowolnego produktu przekazanego do naprawy lub wymiany w ramach niniejszej gwarancji to wyłączna odpowiedzialność nabywcy. Niniejsza gwarancja dotyczy tylko pierwotnego nabywcy i nie może zostać przeniesiona.

Nie zwracać urządzenia do miejsca zakupu

W celu rozwiązania dowolnego problemu należy skontaktować się z serwisem technicznym firmy Warrior poprzez telefon lub e-mail. Jeśli problem nie zostanie rozwiązany tą metodą, firma Warrior według własnego uznania zezwoli na ocenę, naprawę lub wymianę wadliwej części lub komponentu we własnym centrum serwisowym. W przypadku konieczności wymiany produktu, będzie się to odbywać na zasadzie „podobny na podobny”, a nie „stary na nowy”. Firma Warrior przekaże Państwu numer sprawy w serwisie gwarancyjnym, który można monitorować po zalogowaniu na konto. Należy go zachować na przyszłość. Naprawy lub wymiany dokonywane bez wcześniejszego upoważnienia lub w nieautoryzowanym punkcie naprawczym nie będą objęte niniejszą gwarancją. W przypadku klientów spoza Zjednoczonego Królestwa obowiązują wyłączenia z gwarancji, prosimy o zapoznanie się z pełnymi warunkami.

Wyłączenia z gwarancji

Niniejsza gwarancja NIE obejmuje następujących pozycji:

Normalne zużycie

Aby produkt działał prawidłowo, należy okresowo wymieniać i serwisować niektóre części. Niniejsza gwarancja nie obejmuje napraw, gdy część lub cały sprzęt zużył się w toku normalnej eksploatacji.

Instalacja, użytkowanie i konserwacja

Niniejsza gwarancja nie dotyczy części ani prac, jeśli produkt uznany zostanie za użytkowany nieprawidłowo, zaniedbany, uczestniczący w wypadku, nadużywany, przeciążony ponad granice eksploatacyjne agregatu, zmodyfikowany, niewłaściwie zainstalowany lub nieprawidłowo podłączony do dowolnego elementu lub układu elektrycznego. Niniejsza gwarancja nie obejmuje standardowej konserwacji sprzętu.

Inne wyłączenia

Niniejsza gwarancja nie obejmuje:

- wad kosmetycznych, np. lakieru, naklejek itp.;
- zużycia części, takich jak tłoki i pierścienie, świece zapłonowe, filtry;
- części dodatkowych, w tym kół i zespołów rozruchu mechanicznego;
- awarii spowodowanych działaniem siły wyższej, będących poza kontrolą producenta;
- problemów wynikających z użycia części innych niż oryginalne części firmy Warrior Power Equipment;
- przeróbek lub modyfikacji dokonanych przez jakąkolwiek stronę inną niż producent, w tym przedłużania wydechu i układów filtrujących;
- wszystkich węży z tworzywa sztucznego lub gumy, zaworów redukcyjnych i regulatorów;
- wszelkiego sprzętu elektrycznego stron trzecich.

Akumulator 12 V

- Wszystkie dostarczane akumulatory mają więcej niż 1 rok.

Odpowiedni przełącznik zasilania

Zastosowanie jakiegokolwiek układów przełączania zasilania, MTS (ręcznych) i ATS (samoczynnych), innych niż te dostarczone przez nas pod marką WARRIOR lub Warrior będą uważane za nieodpowiednie i spowodują unieważnienie wszystkich udzielonych gwarancji. Przed zainstalowaniem jakiegokolwiek układu przełączania zasilania prosimy o bezpośredni kontakt z nami.

Ograniczenia gwarancji dorozumianej i szkód następczych

Winch Solutions Ltd (CG) zrzeka się wszelkich zobowiązań do pokrycia kosztów związanych ze stratą czasu, użytkowaniem tego produktu, frachtem lub jakichkolwiek przypadkowych lub wynikowych roszczeń, poniesionych przez dowolnego użytkownika tego produktu.

NINIEJSZA GWARANCJA ZASTĘPUJE WSZELKIE INNE GWARANCJE, WYRAŹNE LUB DOROZUMIANE, W TYM GWARANCJE PRZYDATNOŚCI HANDLOWEJ LUB PRZYDATNOŚCI DO OKREŚLONEGO CELU.

Urządzenie dostarczone w ramach wymiany podlega gwarancji na urządzenie pierwotne. Czas trwania gwarancji na wymieniony egzemplarz będzie obliczany w odniesieniu do daty zakupu egzemplarza pierwotnego. Niniejsza gwarancja daje Państwu określone prawa, które mogą być różne w zależności od kraju. W danym kraju mogą również przysługiwać inne prawa, które nie zostały wymienione w niniejszej gwarancji.

INTRODUKTION

Tack för att du köpte vår produkt.

Denna produkt garanteras mot felaktig tillverkning under en period av 24 månader från inköpsdatumet. Förvara ditt kvitto som bevis på köp.

Denna garanti är ogiltig om produkten visar sig ha missbrukats eller manipulerats på något sätt eller inte använts för det syfte som den var avsedd för. Felaktiga varor ska inte returneras till inköpsplatsen, generatören ska returneras till leverantören av produkten. Ingen produkt kan returneras utan föregående tillstånd. Denna garanti påverkar inte dina lagstadgade rättigheter.

WPE TECHNICAL SUPPORT TEAM

0046 31280985

MODEL NUMBER

SERIAL NUMBER

DATE OF PURCHASE

PURCHASE LOCATION

VIKTIGT!

1. Barn bör hållas utom räckhåll från elverket
2. Ditt nya elverk kräver en inkörning under ca 10 timmar. Under dessa timmar skall elverket max belastas med 75%. Efter dessa 10 timmar MÅSTE ett oljebyte genomföras.
3. Rör inte motorn eller ljuddämparen medan elverket är i drift. Var uppmärksam på varningsklistermärken på generatören.
4. Elektrisk utrustning (inklusive kabel- och stickanslutningskomponent) bör vara i gott skick innan start.
5. Om byte av säkringar sker måste det vara lika eller bättre i specifikationen för den som ska tas bort.
6. På grund av hög mekanisk påfrestning rekommenderas endast gummihöljrade kablar att användas.
7. När du använder förlängningsladdar eller mobilt distribueringskåp ska ledningen med 1,5 mm² area inte vara längre än 60 meter; och 2,5 mm² kabelarea bör inte vara längre än 100 meter lång.
8. Vid vanliga arbetsförhållanden kan generatören drivas vid normala driftsbelastningar. Om arbetsvillkoren för omständigheterna inte är normala varken för högt eller för lågt, bör generatören köras med en lägre utgång. När temperatur, höjd och luftfuktigheten är högre än det normala arbetsförhållandet, MÅSTE elverket minska utgångsbelastningen.
9. Innan någon kontroll eller underhåll av generatören måste motorn stoppas och låta svalna. Kontrollera och underhåll generatören enligt periodtabellen och schemat i handboken.
10. Förutom det dagliga underhållet eller rengöringen, bör inspektion eller omjustering utföras av auktoriserad professionell person och originaldelar användas.
11. Din nya maskin måste genomgå en inkörningstid på minst 10 timmar, effekten ska inte överstiga 75% av den maximala belastningen under denna tid.

FUNKTIONER

WPE Dieselelverk innehåller följande funktioner:

Serien med dieselelverk är av supertyst, lättvikt, luftkyld och direktinsprutad 4-takts motor. De är utrustade med två startsätt;

1. Dragstart med snöre
2. Elstart

Serien är utrustad med stora bränsletankar, säkringar, AC- och ibland DC-utgångar, låg oljelarm samt autostopp. Elverket kan fungera som en UPS där det automatiskt startar om elnätet försvinner på många olika platser och verksamheter.

Denna manual berättar hur du skall använda och sköta ditt elverk. Var vänlig läs igenom den i sin helhet och säkerställ att du är medveten om dess funktioner, reglage och risker innan användning.

Vid frågor går det bra att ringa 031-280985.

PARAMETRAR

Elverken ger specifierad effekt när följande parameterar uppfylls:

- Höjd över havet: <1000m
- Omgivningens temperatur: 5-40°C

VARNING

Avgasrör/ljuddämpare och avgaser är väldigt heta. Installera aldrig någon tygavfångning på avgassystemet - om detta sker upphör garantin att gälla.

Undvik brännskador

Rör aldrig vid avgasrör, ljuddämpare eller motorn när den körs eller strax efter. Vänta alltid 30 minuter efter avstängning innan du vidrör något för att delarna skall hinna svalna.

VIKTIGT!

Vänligen läs och förstå instruktionerna i denna manual för att kunna använda ditt elverk på ett säkert sätt. Användande på fel sätt kan innebära skador på person och egendom.

Förebygga brand

Bränslet i denna dieselmotor är lätt diesel (B7), så bensen, fotogen eller biodiesel etc får ALDRIG användas. Diesel med färgämnen rekommenderas inte och om den används rekommenderas underhåll månadsvis, annars kommer det att resultera i försämrade motorprestanda och/eller skador på motorn.

Dieselmotorer kräver diesel som bränsle. Bensin och andra drivmedel skall INTE användas i detta dieselelverk.

Torka bort allt spillt bränsle efter tankning. Förvara inga lättantändliga vätskor eller material nära elverket då värmen från avgasröret kan antända dessa. För att undvika brand bör elverket ha minst 1,5m fritt utrymme på alla sidor vid användning. Elverket skall användas på en plan yta som inte är gjord av material som kan antändas.

VARNING!

Kör ALDRIG elverket på MAX watt längre än tio (10) minuter. Om du gör detta så kommer motorn att överhettas och sedan stanna; riskerar brand. Om detta inträffar, stoppa omedelbart elverket och låt svalna i minst 30 minuter.

Undvik att inandas avgaser

Avgaser innehåller den giftiga gasen kolmonoxid. Använd aldrig elverket i slutna utrymmen. Sörj för bra ventilation.

Undvika brännskador

Ta aldrig på ljuddämparen eller andra delar nära avgassystemet när elverket är igång eller nyss stoppat.

Elektriska stötar och kortslutning

För att undvika elektriska stötar och kortslutningar - undvik att ta i elverket med fuktiga händer eller när elverket självt är blött.

Elverket är inte vattentätt så det bör inte användas på platser där det kan utsättas för regn, snö eller annan väta.

VARNING!

De flesta förbrukare som du kopplar in kräver mer än deras nominella Watt vid start. Överskrid inte eluttagens effekt.

Ladda batteriet

Elektrolyten i batteriet innehåller syra. Skydda dina ögon, hud och kläder. I händelse av kontakt med kroppen - skölj noga med rent vatten och kontakta sjukvården vid behov.

Batteriet kan avge knallgas vilket är lättantändligt och kan antändas vid laddning.

Ladda batteriet i väl ventilerade utrymmen.

⚠ VARNING!

Lär dig hur du stoppar elverket snabbt och hur reglagen fungerar. Låt aldrig någon använda elverket utan träning och/eller utbildning.

Använd alltid skyddkläder så som t.ex. hjälm, skyddsskor och bra klädesplagg i övrigt. Håll husdjur och barn borta från elverket när det används.

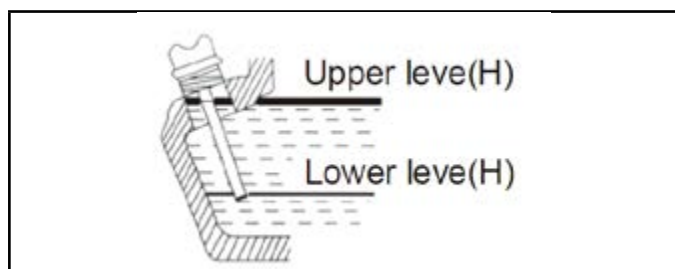
FÖRBEREDELSE INFÖR START

Drivmedel

- Endast vanlig diesel som säljs för bilar skall användas.
- Drivmedlet skall vara fritt från vatten och smuts då detta kan skada bränslepump och insprutning.
- Dieseln måste filtreras
- Överfyll ej tanken. Fyll inte över den röda markeringen inuti tanken.
- Du skall absolut inte röka eller vara i närheten av gnistor, lågor eller andra källor till brand.
- En droppe diesel förstör en kubik rent vatten - spill inte! Säkerställ att tanklocket är ordentligt åtskruvat när du är klar..

Val och hantering av olja

- Ställ elverket på ett jämnt underlag.
- Ta bort locket med oljestickan och fyll på olja. Överfyll det ej.
- För att kontrollera oljenivån sticker du ner oljestickan utan att skruva på det.



🗨 NOTICE

Val av olja har stor påverkan på maskinens prestanda och livslängd. Var noga med val av olja. Om fel olja används, eller inte byts enligt underhållsschemat kan skador uppstå på motorn. Skador orsakade av fel eller gammal olja täcks inte av garantin.

- Säkerställ oljenivån och var noga med att både byta olja och fylla på vid behov. Kontrollera alltid oljenivån innan start - även om elverket har en automatisk avstängning vid låg olja.
- Om motorn inte startar på femte försöket eller startar och sedan snabbt dör behöver oljan troligen fyllas på.
- Dränera oljan när motorn är varm. Det är svårt att dränera den när motorn är kall.

🗨 NOTICE

Motoroljan bör bytas efter de första 20 timmarna (eller 1 månad) och därefter var 100:e timme eller var tredje månad.

⚠ VARNING!

Byt ALDRIG olja eller försök fylla på olja när motorn är igång!

Kontroll av luftfilter

- Lossa vingmuttern, ta bort skyddet runt luftfiltret och ta bort luftfiltret. Använd inte rengöringsmedel vid rengöring.
- Luftfiltret måste bytas när det inte längre går att rengöra det ordentligt eller när avgaserna får en annorlunda färg.
- Använd aldrig elverket utan luftfilter. Detta kan orsaka skada på motorn.
- Sätt tillbaka filter, kåpa och skruva fast vingmuttern.

Säkerställa att ingen last finns

- Stäng av huvudströmbrytaren och andra laster
- Var noga med att stänga av huvudströmbrytaren innan elverket startas. Om brytaren inte är i läge OFF kan inkopplade maskiner oavsiktligt startas.
- Elverket bör jordas för att minimera risken för elektriska stötar. Använd jordspett.

Hantering av elverk med två Volt-typer

- AC-strömbrytaren på kontrollpanelen skall sättas i läge OFF innan elverket startas. Låt sedan

elverket varva upp och gå en liten stund innan AC-strömbrytaren slås på.

- Byt aldrig mellan två olika Volt när AC-strömbrytaren är i ON och last inkopplad.
- När du vill använda 12V-DC uttaget skall AC-strömbrytaren stå i läge OFF.

Kontroll av luft i bränslesystemet

VARNING!

När elverket är nytt innehåller det inget bränsle eller olja. Rester av detta kan dock finnas eftersom varje Warrior-elverk testkörs innan det säljs för att du som kund skall vara trygg i att det fungerar.

- Olja och diesel måste fyllas på innan uppstart när elverket är nytt.
- Elverket bör ej heller transporteras med bränsle i tanken.
- Om bränsletanken blivit tömd kan luft komma in i systemet och förhindra diesel från att nå motorn. Bränslefiltret bör vara minst 75% fyllt - annars är detta ett tecken på luft i systemet.
- För att tömma bränslesystemet på luft lossar du 17mm bulten som finns mellan insprutningen och mässingsröret. Sätt sedan reglaget i läge RUN och starta elverket tills bränsle syns. Sedan kan bulten skruvas på plats igen. Upprepa vid behov.

DRIFT

Förvärmningsfunktion

Detta elverk är utrustad med en förvärmningsfunktion för kalla temperaturer under 0°C, denna funktion är till för att värma upp motorn och oljan med hjälp av 12V DC-ström från batteriet innan motorn startas

Om utetemperaturen är lägre än 0°C rekommenderas att man använder förvärmningsfunktionen innan motorn startas..

1. Vrid tändningsnyckeln till läge 'ON'.
2. Tryck och håll ned förvärmningsknappen i minst 5 sekunder tills ett fast rött ljus tänds på lampan.
3. Släpp knappen och starta elverket normalt med nyckel eller fjärrkontroll (endast modeller kompatibla med trådlös fjärrkontroll).

Om generatoren inte startar, upprepa steg 1-3 max 3 gånger, om generatoren inte startar efter 3 försök kontakta din lokala serviceagent.

Låg oljenivå och autostopp

- Elverket är utrustat med en automatisk avstängning vid låg oljenivå. När oljetrycket minskas stängs motorn av för att skada inte skall uppstå.
- Oljetemperaturen kan stiga om för lite olja används. Om för mycket olja används kan en farlig förbränning ske som rusar varvtalet på motorn. Säkerställ alltid att rätt oljenivå efterlevs.

Låg oljenivålampa

Ditt elverk är utrustad med en varningslampa för låg oljenivå. Om lampan lyser med ett fast rött sken måste olja fyllas på omedelbart.

1. Koppla ur lasten du driver omedelbart och stäng av motorn och låt svalna i ca 10- 15 minuter.
2. skruva ur oljestickan och rengör.
3. Fyll på olja med hjälp av en oljetratt (medföljer ej) och kontrollera nivån med oljestickan (en god regel är att fylla på med olja tills att oljenivån syns visuellt på den nedre gängen i påfyllnadshålet). Om du använder oljestickan, skruva ALDRIG i oljestickan när avläsning görs, mät oljenivån utan att skruva in oljestickan.
4. Skruva tillbaka oljestickan.
5. Kör motorn i 10 minuter utan belastning så att oljan kan cirkulera fullt ut.
6. Kontrollera oljenivån igen.

Att inte följa den rekommenderade oljenivån kan leda till ökat motorslitage och/eller skador på motorn.

Öppna sido- och toppkåpa

Öppna upp sido- och toppkåpa ofta för att inspektera elverket.

1. Vrid handtaget moturs för att öppna dörren.
2. Vrid handtaget medurs för att låsa dörren.

Inkörningsperiod

När ditt elverk är nytt skall tunga laster undvikas då detta kan förkorta livslängden för elverket. Följ inkörningsinstruktionen under de första 20 timmarna.

1. Undvik att belasta elverket mer än 75% under de första 20 timmarna.
2. Byt olja regelbundet. Byt den efter de första 20 timmarna eller 1 månad efter första uppstart. Därefter skall den bytas var 100:e timme eller var tredje månad. 10W-30 olja rekommenderas.

Start av elverket

Manuell start (gäller endast elverk av öppen typ)

1. Öppna ventilen i tanklocket till ON
2. Sätt gasreglaget i läge RUN
3. Dra i startsnöret tills du känner ett motstånd och för det sedan tillbaka.
4. Tryck ner dekompressionsspaken.
5. Dra i startsnöret med båda händerna hårt och bestämt.
6. Låt inte handtaget slå emot motorn på tillbakavägen. Återför det lugnt.
7. Vid kallt väder kan motorn vara svår att starta. Tillsätt då 2cl motorolja.

VARNING!

Drag aldrig i startsnöret eller rör vid det när motorn är startad.

8. Vid kallt väder blir en dieselmotor svår att starta. Ta bort pluggen ur skyddet på vipparmen ovanpå cylindern och håll i 2 cc motorolja.
9. Sätt tillbaka pluggen
10. Ha alltid den röda pluggen i sin rätta position förutom just när du håller i olja. Annars kan främmande föremål och smuts hamna i motorn.

Start med elektrisk start

1. Vrid tändningsnyckeln till läge ON
2. Sätt gasreglaget i läge RUN
3. Vrid tändningsnyckeln till läge Start
4. Släpp nyckeln när motorn tändes och låt den automatiskt gå tillbaka.
5. Vid kallstart, se avsnitt; Förvärmningsfunktion
6. Om motorn inte startar eller om startmotorn inte aktiveras vänta 30 sekunder till nästa försök.

VARNING!

Vänligen notera: Om startmotorn körs för mycket kommer batteriet laddas ur.

Lämna alltid nyckeln i läge ON när motorn körs.

Batteri

Kontrollera vätskenivån i batteriet en gång per månad. När nivån understiger miniminivå ska destillerat vatten fyllas på upp till markeringen.

Om batterisyrainivån understiger gränsvärdet kan det orsaka skada på batteriet med följd att elverket inte kan startas. Om batteriet överfylls kan det skada omkringliggande delar och material.

Batteriet omfattas endast av ett års garanti.

Användande

1. Värm upp motorn utan att koppla in last under tre minuter.
2. Elverket är utrustat med låg oljenivå-vakt. Motorn kommer stoppa automatiskt om oljenivån blir för låg. Motorn kommer heller inte gå att starta om oljenivån är för låg.
3. Undvik att skruva på bulten som begränsar gas (varvtal) samt bulten som reglerar bränsleinsprutning. Dessa två har justerats och trimmats in på fabrik
4. Vid låg oljenivå, se avsnitt; Låg oljenivålampa.
5. Att inte följa den rekommenderade oljenivån kan leda till ökat motorslitage och/eller skador på motorn.

Kontroll under drift

1. Något ovanligt ljud eller vibration?
2. Misständer motorn eller går ojämnt?
3. Färgen på avgaserna - är de svarta eller vita?

Om du upplever något av ovanstående bör du stänga av ditt elverk och kontakta verkstad eller återförsäljare.

Använda AC-ström (växelström)

1. Starta elverket och säkerställ att den gröna lampan lyser
2. Elverket måste komma upp i normalt varvtal innan last kopplas in.
3. Elverket kan belastas när voltmätaren på panelen visar vald spänning. Spänningstoleransen kan variera mellan +10.
4. Koppla in lasten.

VARNING!

Starta inte två inkopplade laster samtidigt. Börja med den största av dem.

5. Säkerställ att all utrustning är i gott skick inna de kopplas in.
6. Om en inkopplad last betar sig onormalt så stäng omedelbart av den, stäng av elverket och koppla ur lasten.
7. Om överlast får säkringen att lösa så minska lasten och vänta innan du återupptar drift.
8. Om displayen visar för hög eller för låg Volt - stoppa och sök orsaken till felet.
- 9.

Använda DC-ström (likström)

12V-uttaget ska endast användas för att ladda batterier.

1. När du skall ladda bilbatterier med batterikablar ska du först lossa minuskabeln från batteriet.
2. Starta motorn
3. Anslut laddningskablagen till batteripoolerna och till elverket. Anslut pluspoolen till pluspoolen på elverket. Förväxla inte polariteten - det kan skada både batteri och elverk. Kablaget skall inte vidröra varandra. DC-säkringen kan lösa om stora batterier laddas då detta ger en högre strömstyrka.
4. Våta batterier avger knallgas när de laddas. Undvik att vara nära gnistor, rökning och öppen låga. För att minska risken för gnistor är det bäst att ansluta kablaget till batteriet först och elverket sedan. När kablarna skall tas bort är det omvänd ordning.
5. Ladda batterier på en välventilerad plats. När du laddar våta batterier bör locken vara öppna. Avbryt laddning om elektrolyten får en temp över 45°C.

WARNING!

Starta inte bilen när batteriet är ansluten till elverket.
Använd INTE DC- och AC-uttagen samtidigt.

Stänga av elverket

1. Stäng av huvudströmbrytaren
2. Sätt gasreglaget i läge RUN och låt elverket vara igång ett par minuter utan inkopplad last. Stäng inte av elverket för snabbt då detta kan få motorns temperatur att stiga för mycket.
3. Vrid nyckeln till OFF eller tryck ner Stoppknappen.

WARNING!

Om motorn fortsätter gå även efter att Stopp-handtaget är i läge Stopp bör du stänga bränslekranen. Stäng inte av motorn med dekompressionshandtaget (endast öppna elverk)

Fjärrkontroll (om applicerbart)

Elverket kan startas och stängas av på distans via den trådlösa fjärrkontrollen.

1. Sätt gasreglaget i läge RUN
2. Sätt startnyckeln i läge ON
3. För att starta motorn - tryck på knappen A på fjärrkontrollen under 3-5 sek.
4. Om den inte startar, upprepa steg 1-2 och försök igen.

5. För att stänga av elverket trycker du på B på sändaren
6. Vrid nyckeln till läge OFF

WARNING!

När elverket inte används eller är avstängt skall nyckeln alltid stå i läge OFF.

WARNING!

Om elverket inte startar på tre gjorda försök måste steg 1-3 upprepas. Det kan även behövas göras en generell kontroll av bränsle och olja.

Låt aldrig någon annan starta eller stoppa elverket med fjärrkontrollen när det är i drift. Upprepade start/stopp för ofta kan skada elverket.

Om elverket inte startar använd felsökningen i denna manual.

UNDERHÅLL

Periodiska kontroller och underhåll är en viktig del i driften av ditt elverk. Det är väldigt viktigt att elverket och dess motor underhålls kontinuerligt för att dess prestanda och livslängd skall bibehållas.

Stäng av elverket innan något underhåll utförs. Om motorn måste vara igång är det viktigt att detta sker på en välventilerad plats eftersom avgaserna är giftiga.

Rengör elverket med en trasa när det använts för att förhindra rost och korrosion.

DAGLIGEN

- Kontrollera oljenivån
- Kontrollera och fyll på olja
- Kontrollera oljeläckage
- Kontrollera så att delar sitter fas

FÖRSTA 20 TIMMARNÄ - INKÖRNING

- Byt olja
- Dränera bränsletanken
- Justera ventiler på in- och utlopp*
- Lap inlopp och avgasventiler*

MÅNATLIGEN

- Kontrollera batterivätskan
- Kontrollera oljefilter

VAR 100:E TIMME ELLER VAR TREDJE MÅNAD

- Byt olja
- Kontrollera luftfilter

VAR 300:E TIMME ELLER VAR SJÄTTE MÅNAD

- Skruva åt bultar*
- Byt oljefilter
- Byt luftfilter
- Rengör bränslefilter
- Kontrollera insprutningspumpen*
- Kontrollera spridarna*
- Kontrollera bränsleledningar
- Justera ventilgap*

VAR 1000:E TIMME ELLER ÅRLIGEN

- Byt bränslefilter
- Lap intake & exhaust valves*
- Byt kolvringar*

VAR TREDJE ÅR

- Byt bränsleledningar*

****Speciella verktyg och/eller kompetens kan krävas. Detta bör endast utföras av en verkstad.**

Oljebyte (Var 100:e timme)

Avlägsna locket på oljepåfyllningen. Skruva ur dräneringsbulten och dränera oljan när motorn är varm men avstängd.

Dräneringsbulten är placerad längst ner på motorblocket bredvid oljefiltret. När oljan är tömd skruvar du åt dräneringsbulten och fyller på med ny olja. Vi rekommenderar att du använder 10W-30 mineralolja.

Rengöra oljefiltret (Var 300:e timme)

Skruva loss 10mm bulten och ta bort oljefiltret. Du hittar det långt ner på motorblocket bredvid dräneringsbulten. Rengör med vatten eller bensen - använd EJ rengöringsmedel.

Byte av luftfilter (Var 300:e timme)

Tvätta inte luftfiltret med tvål eller rengöringsmedel. Använd bensen eller rent vatten. Låt det torka helt innan du sätter tillbaka det.

⚠ VARNING!

Starta aldrig motorn utan ett luftfilter, eller med ett trasigt luftfilter. Byt det vid rätt intervall.

Rengöra och byta bränslefilter (Var 300:e timme)

Bränslefiltret måste också underhållas med jämna mellanrum för att säkerställa elverkets effektivitet.

1. Dränera återstående diesel från tanken
2. Lossa de små clipsen på bränsleledningarna. Ta bort bränslefiltret och spola igenom slangarna med ny diesel.
3. Öppna bränslefiltret och gör rent det. Avlägsna all smuts och orenheter.

Kontrollera och fylla på batterivätska samt ladda batteriet (månatligen)

Detta dieselelverk har ett 12V startbatteri. Batterivätskan i batteriet kommer minska i takt med tiden och användningen.

Innan du startar - kontrollera batteriet för fysiska skador, vätskenivån samt fyll på med destillerat vatten vid behov. Vid påfyllning skall det inte överstiga den övre markeringen. Vid skada på batteriet eller när om dess kapacitet är dålig bör det bytas. Batteriet omfattas av 1 års garanti från ursprungsköpet.

FÖRVARING

Om du skall förvara ditt elverk under en längre tid utan att använda det bör följande göras:

1. Kör elverket i ca 10min utan last och stoppa det sedan.
2. Vänta en stund och byt sedan olja medan motorn är varm. Se "Oljebyte".
3. Lossa den röda pluggen som finns ovanpå cylindern och håll i 2ml olja. Stäng det röda locket igen.

FELSÖKNING

Problem	Orsak	Åtgärd
Motorn startar ej	Inget bränsle	Fyll på bränsle
	Brytaren är inte i läge ON	Vrid den till ON
	Bränslepumpen eller spridarna kan inte ge tillräckligt med bränsle alt bränslet är inte tillräckligt	Rengör insprutningen eller töm systemet på bränsle
	Gasreglaget är inte i läge RUN	För det till läge RUN
	Låg oljenivå	Fyll på olja
	Vid manuell start; Farten och kraften i draget av dragsnöret är inte tillräcklig	Starta motorn genom att följa startinstruktionen i denna manual
	Insprutningen är blockerad eller smutsig	Rengör eller byt ut insprutningen
	Batteriet är urladdat	Ladda eller byt batteriet
Motorn vill inte starta med fjärrkontrollen	Tändningsnyckeln är inte i läge ON	Gör om steg 1-3 i Start med fjärrkontroll i denna manual
	Gasreglage är inte i läge RUN	Gör om steg 1-3 i Start med fjärrkontroll i denna manual
	Låg olje- eller bränslenivå	Fyll på olja och bränsle efter behov
Motorn går men ingen el finns	AC-brytaren står i OFF	Ändra brytaren till ON
	Glapp i uttaget	Kontrollera uttaget
	För lågt varvtal på motorn	Kontakta återförsäljaren
	Annat	Kontakta återförsäljaren

OBS: Vid svetsning kan elverket överlastas pga svetsens stora startströmmar. Om elverket överlastas för kraftigt vid svetsning kan elverkets AVR skadas.

WARRANTY

We at Warrior understand the importance of warranty for service & repair, we are now offering a standard 2 Year (Warrior Diesel Generators) without the need for registering your purchase. We still have the option for product registration for customer who still would like to use the website and to keep in touch with ourselves.

Please view the limitations below and read the full T&C's about the warranty offered on a particular product.

All we require is the either a copy of the original proof of purchase or an invoice supplied from retailer at the time of purchase to enable the claim to be raised. Please keep your proof of purchase safe for the duration of your terms, in the unfortunate event you need our technical support we will ask for this to be provided on each claim, NO proof of purchase any warranty claim will be delayed or rejected.

Repair / Replacement Warranty

Warrior branded diesel generators warrants to the original purchaser up to 2 Years for domestic usage that the mechanical and electrical components will be free of defects in material and workmanship for a period of Year One (1) [Parts and Labour] Year Two (2) [Parts Only] from the original date of purchase or 1000 hours which ever comes first.

Industrial & Commercial Use One Year (1) [Parts and Labour] or 500 hours which ever comes first.

Transportation charges on any product submitted for repair or replacement under this warranty are the sole responsibility of the purchaser. This warranty only applies to the original purchaser and is not transferable.

Do Not Return the Unit to the Place of Purchase

Contact Warrior Technical Service and we will troubleshoot any issue via phone or e-mail. If the problem is not corrected by this method, Warrior will, at its option, authorise evaluation, repair or replacement of the defective part or component at our own Service Center. If and when an product has to be replaced it will be on a like for like basis not old for new. Warrior will provide you with a case number for warranty service and this can be monitored through your login account. Please keep it for future reference. Repairs or replacements without prior authorization, or at an unauthorized repair facility, will not be covered by this warranty. We do have warranty exclusions for customers outside the United Kingdom please see our full T&C's.

Warranty Exclusions

This warranty DOES NOT cover the following:

Normal Wear

Your product needs periodic parts and service to perform well. This warranty does not cover repair when normal use has exhausted the life of a part or the equipment as a whole.

Installation, Use and Maintenance

This warranty will not apply to parts or labour if your product is deemed to have been misused, neglected, involved in an accident, abused, overloaded beyond the generator's limits, modified, installed improperly or connected incorrectly to any electrical component or system. Normal maintenance is not covered by this warranty.

Other Exclusions

This warranty excludes:

- cosmetic defects such as paint, decals, etc.,
- worn parts including piston & rings, spark plugs, filters
- accessory parts including wheels & recoil assemblies
- failures due to acts of God and other force majeure events beyond the manufacturer's control
- problems caused by parts that are not original Warrior Power Equipment parts
- alteration or modification(s) made by any party other than the manufacturer including exhaust extension and filtration systems.
- all hoses plastic or rubber, reducing valves and regulators
- any third party electrical equipment

12v Battery

- All batteries supplied Over 1 Year Old.

Suitable Transfer Switch

Any MTS (Manual Transfer) & ATS (Automatic Transfer) systems other than ones supplied by ourselves under WARRIOR or Warrior will not be considered suitable and will invalidate all warranties given. Please contact us direct before installing any Transfer system.

Limits of Implied Warranty and Consequential Damage

Winch Solutions Ltd (CG) disclaims any obligation to cover any loss of time, use of this product, freight, or any incidental or consequential claim costs by anyone using this product.

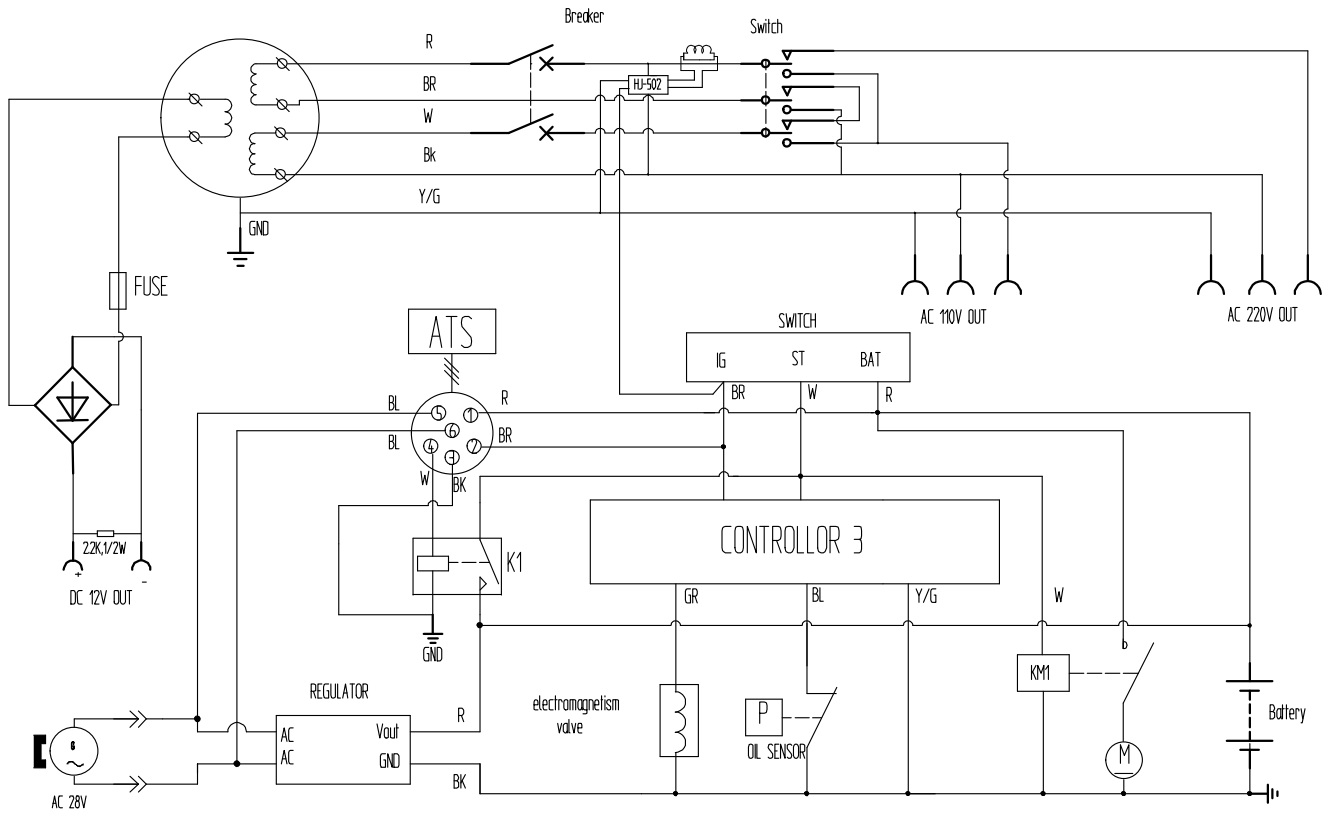
THIS WARRANTY IS IN LIEU OF ALL OTHER WARRANTIES, EXPRESS OR IMPLIED, INCLUDING WARRANTIES OF MERCHANTABILITY OR FITNESS FOR A PARTICULAR PURPOSE.

A unit provided as an exchange will be subject to the warranty of the original unit. The length of the warranty governing the exchanged unit will remain calculated by reference to the purchase date of the original unit. This warranty gives you certain legal rights which may change from country to country. Your country may also have other rights you may be entitled to that are not listed within this warranty.

TECHNICAL SPECIFICATIONS

MODEL:	6500SV-(EU)	6500SVWRC-(EU)	6500SV3-(EU)	6500SV3WRC-(EU)
Type	Single Phase A.C		Three Phase A.C	
Frequency (Hz)	50		50	
Rated Power (kW)	4.5		5	
Max Power (kW)	5.0		5.5	
Voltage (A.C)	110, 115, 220, 230, 240, 11/220, 115/230, 120/240		220/380, 240/415	
Voltage (D.C)	12V			
Current (D.C)	6A			
Power Factor	1.0		0.8	
Phase Number	Single Phase		Three Phase	
Pole Number	2			
Excitation	Self-excitation			
Insulation	G1			
Voltage Regulation System	Condenser compensating system			
Engine Type	188F Euro 5: LA188FG			
Type	4 Stroke, single cylinder, air cooled, direct injection diesel engine			
Speed (rpm)	3000 Euro 5: 3000			
Bore x Stroke (mm)	88 x 78			
Displacement (L)	0.474			
Cooling System	Forced Air Cooled			
Lubrication System	Forced Lubrication			
Lube oil capacity	1.65			
Fuel	Diesel			
Fuel Capacity (L)	16			
Preheater	Included			
Low Pressure Alarm	Included			
Start System	Electric Start			
Wireless Remote Start	No	Yes	No	Yes
ATS Input	Yes	No	Yes	No
Operation capacity (hr)	7.2			
Acid battery capacity (AH)	36			
Care free battery capacity (AH)	36			
Nett Weight (kg)	160			
Dimensions (L x W x H) mm	885 x 550 x 745			

WIRING DIAGRAM

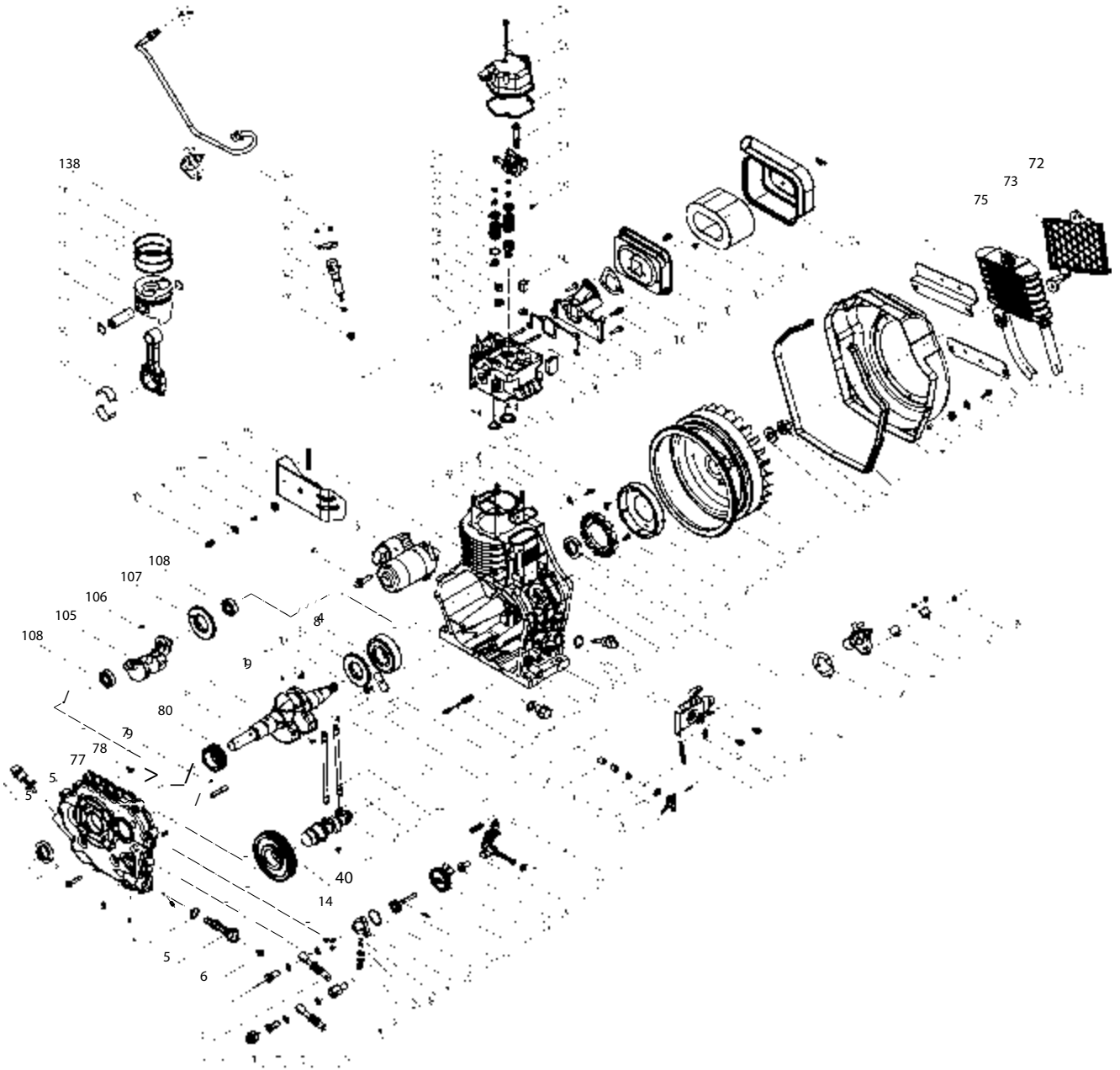


SWITCH

	BAT	IG	ST
OFF			
ON	●	●	
START	●	●	●

EN

ENGINE PARTS DIAGRAM



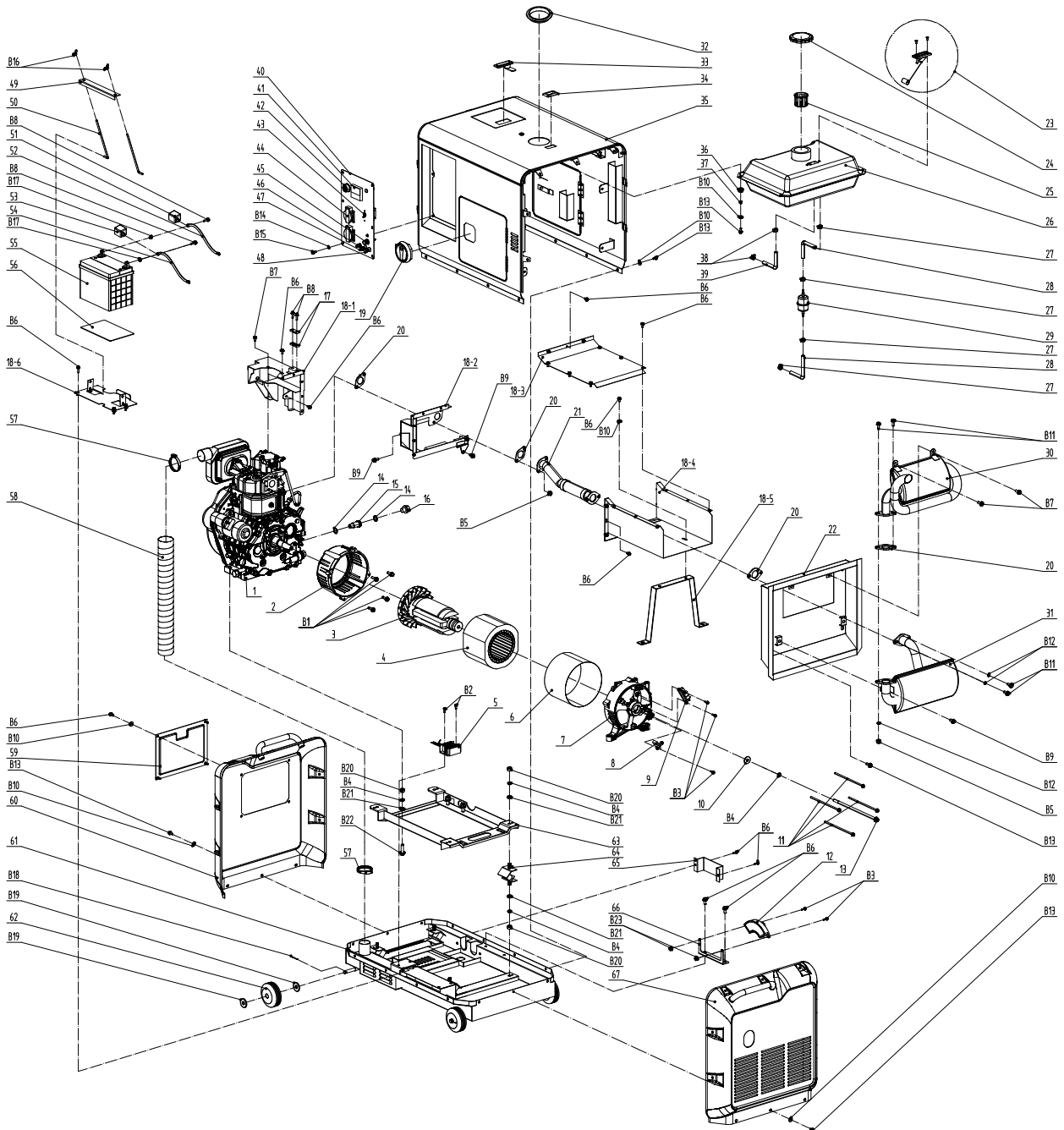
ENGINE PARTS LIST

135	Piston	A188	1	68	Shock absorber seal	A170/78/86	4
134	Piston pin	A188	1	67	Bush10*10	A170	4
133	Washer*23	A186	2	66	Fan cover	A192	1
132	Connect rod assy	A188	1	65	Shock absorbing bushing	A170/78/86	965mm
131	Crank pin bearing	A186	2	64	Flywheel nut	A186	1
130	Cylinder head nut<thick>	A188	2	63	Flywheel nut washer	A186	1
129	Straight pin	4x8	3	62	Flywheel	A186E	1
128	Valve rocker arm	A186FA	1	61	Flywheel gear	A186E	1
127	Rocker arm bolt	M8x45	2	60	Flywheel rotating assembly	F186-100	1
126	Cylinder head cover assembly	A186FA	1	59	Hexagon socket countersunk head screws	M6x12	3
125	Cylinder head cover gasket	A186FA	1	58	Flange bolt	M6x18	3
124	Flange bolt	M6x70	3	57	Oil level gauge	A178/86	2
123	Valve adjusting block	A186	2	56	Stator assembly	F186-200	1
122	Valve key	A188	4	55	Oil seal	DL35x50x8	1
121	Valve-spring retainer	A188	2	54	O ring	192x24	2
120	Valve spring	A186	2	53	Fuel injection pump fastening stud(long)	M6x36	2
119	Valve spring washer	A186	3	52	Fuel injection pump fastening stud(short)	M6x30	1
118	Valve guide oil seal	A186	2	51	Crankcase	A188	1
117	Cylinder head nut<thin>	A188	2	50	Seal washer	16	1
116	Cylinder head nut washer	A188	4	49	Drain plug	A170/78/86	1
115	Double end stud	AM6x55	2	48	Torque corrector	A186	1
114	Double end stud	AM8x20	2	47	Calibrate spring	A186	1
113	Shock absorber seal	A178/86	1	46	Thrust plate	A170/78/86	1
112	Air induced cover parts	A188	1	45	Flange bolt	M8x15	1
111	Air induced cover shock absorber	A178	1	44	Valve push rod	A188	2
110	Air induced cover bush	A178	1	43	Flat key	5x14A	2
109	Flange bolt	M6x16	2	42	Valve tappet	A186	2
108	Deep groove ball bearing	6304	2	41	Camshaft	A188	1
107	Balance shaft gear	A186	1	40	Camshaft timing gear	A188	1
106	Flat key	5x7A	2	39	Flange nut	M6	5
105	Balance shaft	A188	1	38	Fuel injection pump seatplate	A170/78/86	1
104	Air cleaner cassette noise	A186	1	37	Fuel injection pump seat gasket	A170/78/86	1
103	Air cleaner element	A186	1	36	Solenoid valve fuel injection pump	A188	1
102	Hexagon lock nut	M6	2	35	Fuel injection pump gasket	A170	1
101	Air cleaner gasket	A186	1	34	Control handle	A170/78/86	1
100	Flange bolt	M6x28	3	33	Flange bolt	M6x22	1
99	Intake pipe	A186	1	32	Return spring	A170/78/86	1
98	Intake pipe gasket	A186	1	31	Governor spring	A186	1
97	Double end stud	AM6x75	2	30	Oil seal	W18x14x4	1
96	Cylinder head rubber plug	A186	1	29	Needle bearing<794178>	HK081410	2
95	Cylinder head	A188	1	28	Starting spring	A186	1
94	Intake valve	A188	1	27	Governor level washer	A170	3
93	Exhaust valve	A188	1	26	Shift fork	A186	1
92	Hexagon bolt	M6x12	1	25	Tappet	A186	1
91	Wire clamp	A170/78/86	1	24	Oil pump drive gear	A188	1
90	O-ring seal	A186	1	23	Straight pin	3x8	1
89	Cylinder head stud(long)	A188	2	22	Oil pump assembly	A186	1
88	Cylinder head stud(short)	A188	2	21	O ring	34.5x18	1
87	Cylinder head gasket<On demand>	A188	1	20	Oil pump cover plate(oil cooler)	A188	1
86	Starter	A186/188	1	18	Pressure limiting valve spring	A170/78/86 A170F-09000	1
85	Flange bolt	M10x30	2	17	Fuel injection pump gasket	M10	1
84	Cylindrical roller bearing	NUP308E	1	16	Seal washer	10	1
83	Balance shaft transmission gear	A188	1	15	Hexagonal flange bolt	M10*1.25*10	1
82	Flat key	5x12A	1	14	Hexagon socket flat round head screw	M6*14	3
81	Crankcase	A188	1	13	Hinged ball transition seat	A188	1
80	Crankshaft timing gear	A188	1	12	oil cooling pipel	A188	1
79	Oil inlet pipe	A170/78/86	1	11	Seal washer	14	4
78	Straight pin	8x12	2	10	Hinge bolt(M14*15-NP178)	A188	1
77	Crankcase cover(oil cooler)	A188	1	9	oil pressure sensor	A188	1
76	Oil cooler fixing plate	A188	1	8	oil cooling pipel	A188	1
75	oil cooler	1620	1	7	Hinge bolt	M14*15*28	1
74	Plain washer	56	4	6	Flange bolt	M6x14	3
73	Mesh Layer	1620	1	5	Oil filter	A170/78/86	1
72	Hexagonal flange bolt	M6x25	2	4	O ring	20x2.65	1
71	Hose clamp	德式12-20	2	3	Aluminum plunger8*10	A170/78/86	3
70	Oil cooler fixing plate	A188	1	2	Flange bolt	M8x35	16
69	Flange bolt	M6x22	4	1	oil seal	DL35x50x10	1
				NO.	Description	Material	Qty

143	Fuel injection pipe	A188	1
142	Fuel injector platen	A170/78/86	1
141	Fuel Nozzle	A188	1
140	Fuel Nozzle gasket	A170	1
139	Heat insulation cover	A170/78/86 FA	1
138	First gas ring	A188	1
137	Piston Oil ring	A188	1
136	Second gas ring	A188	1

EN

PARTS DIAGRAM



PARTS LIST

B23	Flange nut	M5	2	43	Circuit breaker	Vary with generator power	1
B22	Flange bolt	M10*40	6	42	Key switch	423A	1
B21	Plain washer	10	14	41	Volt meter	MU-45(0-300V)	1
B20	Hexagonal nut	M10	14	40	control panel		1
B19	Plain washer	Big 12	8	39	Fuel pipe	φ4.5*8.5	850mm
B18	Clip	2.5*30	4	38	Clip for oil return line	LA170/78/86	2
B17	Flange nut	M6	2	37	Air induced cover bush	LA178	4
B16	Butterfly nut	M6	2	36	Air induced cover shock absorber	LA178	4
B15	Flange bolt	M6*12	6	35	canopy	5000S KQ	1
B14	Toothed flange nut	6 MFZn	2	34	Fuel level window components		1
B13	Flange bolt	M6*16	36	33	pressure reducing valve cover key	MS720	1
B12	Spring washer	8	4	32	Tank rubber sleeve		1
B11	Flange bolt	M8*30	4	31	Secondary muffler	LDG5000S KQ	1
B10	Plain washer	Big 6	38	30	A class muffler	LDG5000S KQ	1
B9	Flange bolt	M8*12	4	29	Fuel filter	LA170	1
B8	Flange bolt	M6*20	4	28	Fuel pipe	φ7.5x φ13	220mm
B7	Flange bolt	M8*20	4	27	Clip for pipeline	LA170/78/86	4
B6	Flange bolt	M6*12	31	26	Fuel tank		1
B5	Flange nut	M8	4	25	Fuel filter cup	LA170/78/86	1
B4	Spring washer	10	15	24	Fuel tank cap	LDG3600S	1
B3	Flange bolt	M5*16	5	23	Fuel level indicator with screw	120	1
B2	Hexagon socket head screw	M6*12	2	22	Muffler mounted panel	LDG5000S KQ	1
B1	Flange bolt	M8*25	4	21	Ripple pipe comp	5000S	1
				20	Muffler gasket	LA186	4
67	Alternator side side cover	5000S KQ	1	19	Door lock component	5000S KQ	1
66	AVR mount support	LDG5000S KQ	1	18-6	Battery bracket	LDG5000S	1
65	Oil baffle		1	18-5	Fan case bracket	LDG5000S	1
64	Genset shock absorber	LDG3600S-03011	4	18-4	Fan case body	LDG5000S	1
63	Commonality base		1	18-3	Fan case cover	LDG5000S	1
62	Rubber wheel	For KQ style canopy	4	18-2	Wind guide plate2	LDG5000S	1
61	Soundproof underpan	5000S Keqiang	1	18-1	Wind guide plate1	LDG5000S	1
60	Engine side side cover	5000S KQ	1	17	High-pressure tubing cushioning fixed block		2
59	Air cleaner cover	LDG5000S	1	16	Drain plug bolt	LA170/178/186	1
58	Air cleaner connecting pipe	external diameter φ58*500	1	15	Drain connecting pipe	LDG5000S-01007	1
57	Hose clamps	d60	2	14	Seal washer	16	2
56	Battery rubber gasket		1	13	Rotor bolt	Vary with alternator	1
55	Battery	Vary with generator	1	12	AVR	5kW	1
54	Red battery wire	500	1	11	Stator bolt	M6x(Llength vary with alternator)	4
53	Red battery wire sleeve	Vary with battery	1	10	Plain washer for rotor bolt	10.6*28*3	1
52	Black battery wire	650	1	9	Wire connector	φ160-φ225	1
51	Black battery wire sleeve	Vary with battery	1	8	Carbon brush assy	φ190	1
50	Hook bolt	2200E	2	7	Rear cover	Vary with alternator	1
49	Battery plate	LDG2200E-03003	1	6	Alternator protective belt	Vary with alternator	1
48	Black DC connect	107	1	5	Rectifier regulator	13.8V	1
47	Red DC connect	107	1	4	Stator assy	4.2/4.5/5.0kW	1
46	Grounding bolt	M6*22	1	3	Rotor assy	4.2/4.5/5.0kW	1
45	Fuse holder assy		1	2	Front cover	Vary with alternator	1
44	Socket	Vary with generator	2	1	Engine	LA186/LA186FA/LA188	1
No	Description	Specification	Qty	No	Description	Specification	Qty



**For warranty and repair enquiries,
please contact the retailer where you
purchased your Warrior Product.**

United Kingdom:

BPE Holdings
Unit 17-18
Bradley Hall Trading Estate
Bradley Lane, Standish
Wigan, WN6 0XQ, UK
technical@bpeholdings.co.uk

Germany:

BPE Solutions Deutschland GmbH
Altrottstraße 31
D-69190 Walldorf
Germany
support@bpeholdings.de

France:

BPE Solutions France SAS
3 Boulevard de Belfort
59000 Lille
France
sav@bpeholdings.fr

Sweden:

BPE Nordic AB
Valnäsgatan 2
44252 Ytterby
Sweden
info@championgenerators.se