

Installation Instruction

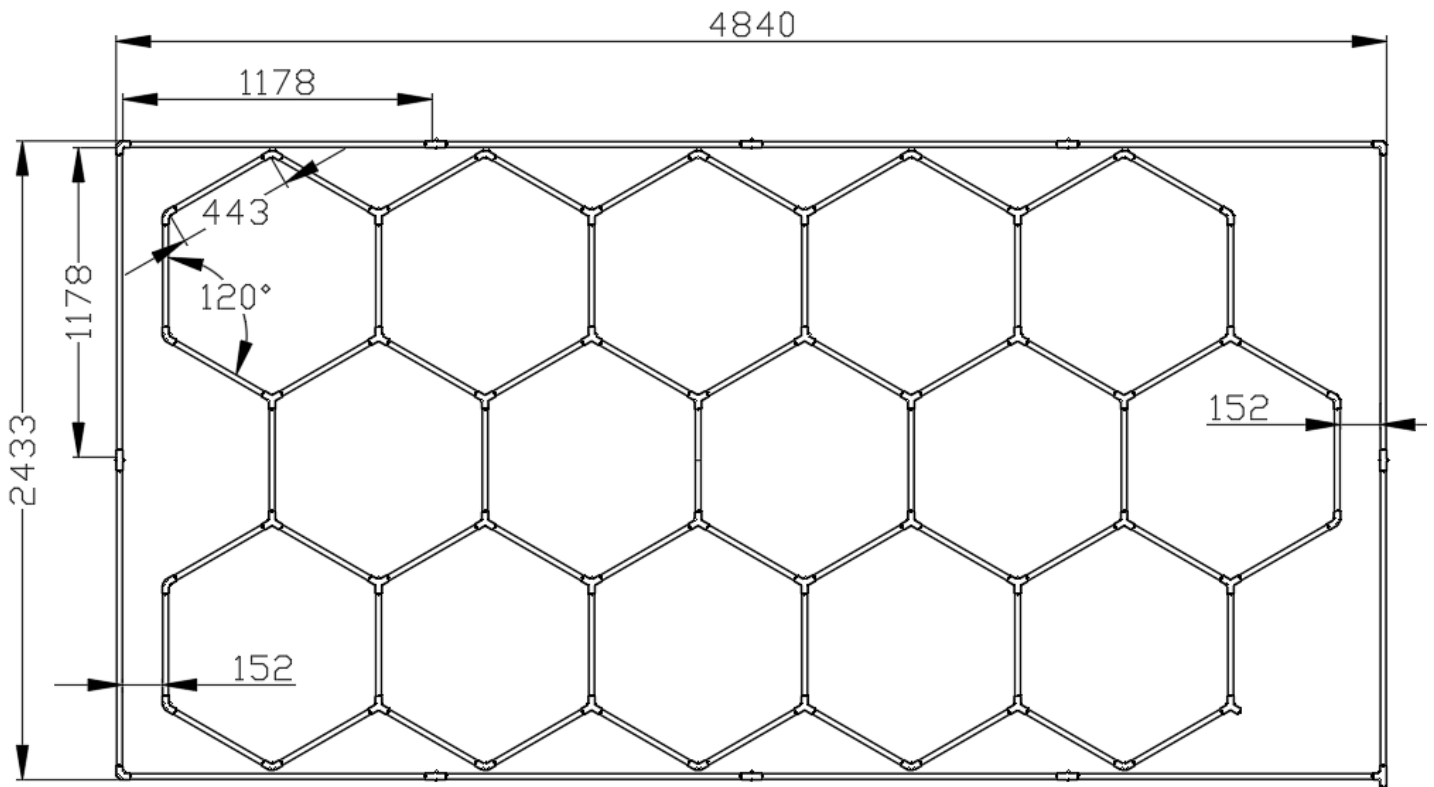
VN4840



Only for reference! Please read this manual before assembling this product, and keep this for subsequent reference!

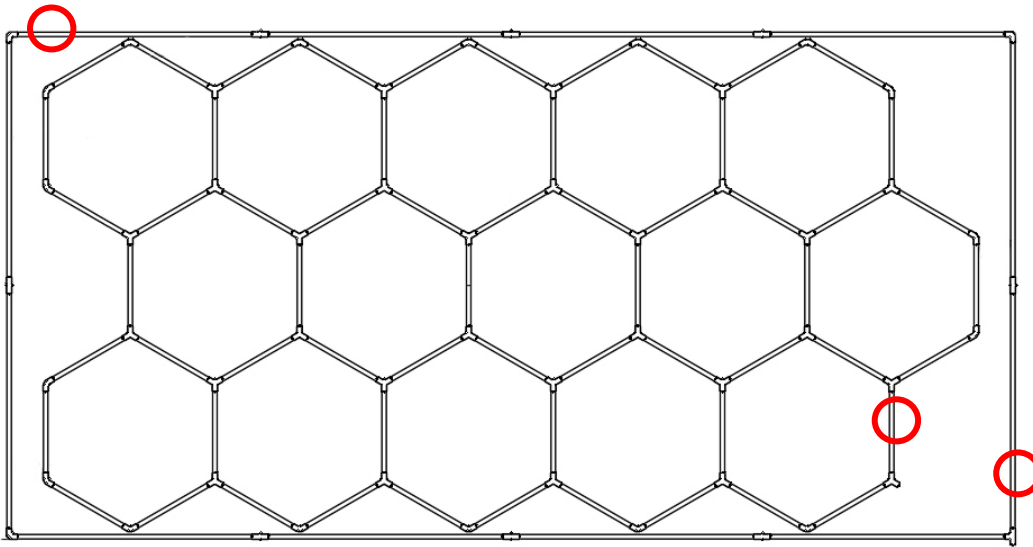
VN Vinyls AB
Trunstavägen 37b
74130 Knivsta, Sweden
+468-684 28840
order@vnvinylls.se

1. Design sketch (Please carefully read the “**Circuit Diagram**” before installing)

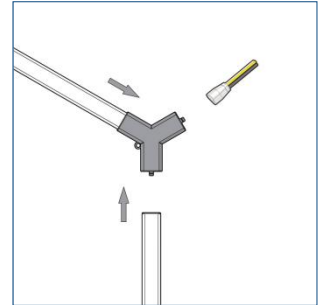


Series	Name	Specification	QTY	Unit	PIC
1	tubes	L:440*20mm 6w	60	pieces	
2	tubes	L:1185*20mm 16w	12	pieces	
3	connectors	90° 2-way white	3	pieces	
4	connectors	180° 2-way white	8	pieces	
5	connectors	T 3-way white	1	pieces	
6	connectors	120° 2-way white	16	pieces	
7	connectors	120° Y connector white	30	pieces	
8	The cable	1-end	3	pieces	
9	installation instruction	-	1	pieces	

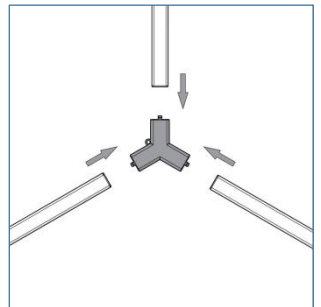
2. Connect the tubes in series as follows;



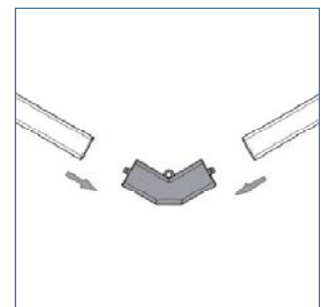
1. The 3  connect as follow picture



2. Other 3-end connection connect as follow picture



3. Other 2-end connection connect as follow picture

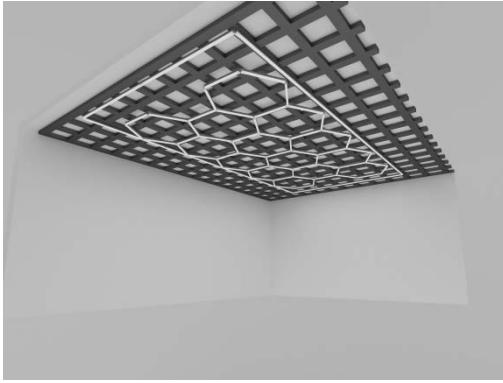


CAUTION!!

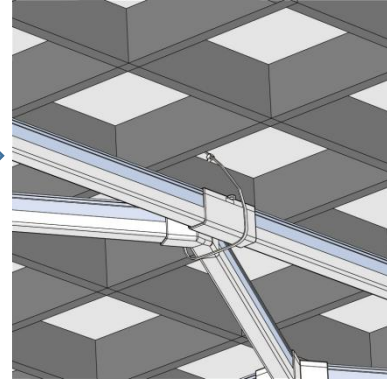
- 1. Please be careful while use the light bars connect with the connectors, or it would hurt the copper needle in the connectors;
- 2. **TEST BEFORE PUTTING IT INTO THE CEILING;**
- 3. There is only 3 point for wire connection of the whole structure.
- 4. Red——L
Blue——N
Yellow——E

3. How to install it on the ceiling.

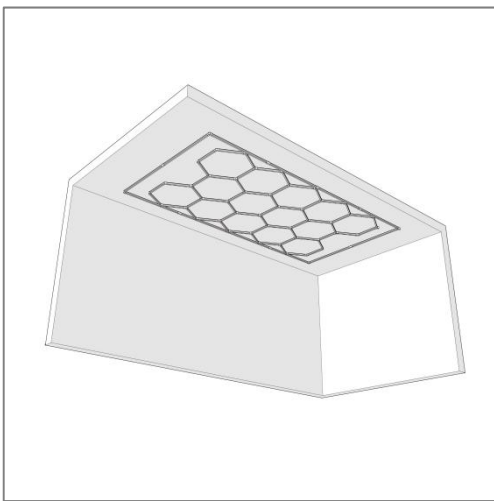
A Grid roof



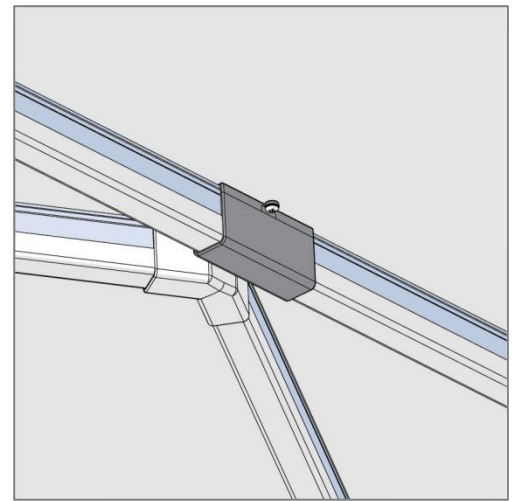
Tie it with ribbons



B Flat roof



Screw the connector from the hole to the ceiling directly



Remarks:

1. There should be 3 wires out to connect with 220V;
2. Please install by professional electrician;