



H999V

v V m GAEDD99C
m 5

v
5: E9 8

m BCA9FA

p

h

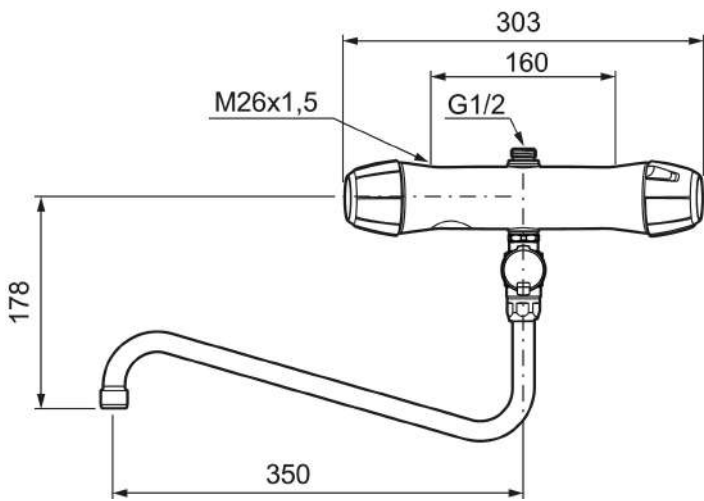
l

l 0B9

U

7

l 0B



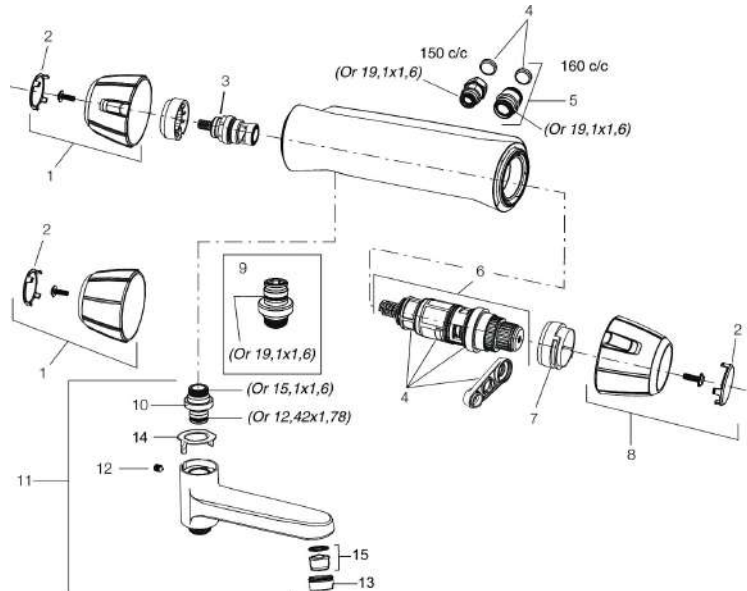
I nk Ur f pSVof nci d b

H999V

v V m CAEDD99C

v

m CBA9FA



V	v	V	yö
:	BDFG 999	GDHA9: D	n 5 5 5
:	BDFG99C9	GDH: HHD	n 5 5 5
A	BH9B: 99C	GDHA99C	o 5A6
B	BDH99C99	GDGDGCH	f
C	BCEG999H	GDH: F9:	a 5 7 6 5
D	DHG 9C99	GDHA99E	R : D9 8 1 2
D	DHG99C99	GDHA99D	R : E9 8
E	BCE9: 99H	GDH: E9H	n 5
F	BGDA999F	GDH: DHA	o 5 5
F	BGDA999D		o 5 BG 5
G	BDFG9: 99	GDH: HHG	n 5 5 5
G	BDFG9: C9	GDH: HFF	n 5 5 5
H	BHF: 9C99	GDH: HEF	i h: G: 6: 8A 1 2
: 9	BHFD0999	GDH: HEH	i h: G: 6 1 2
::	GAHH9999	G DC9FB	r
: A	BG9GE999	GOBF9:	g
: B	AH: CAC99	GAG DAE	c h AC 7: B

V	v	V	yö		
: C	BGDA: 999	GAHDBCD	o		
: D	AH: 9AED9	GAG: DCF	o	A9 AC 8	B99 I